

FILMTACY P 1

User Guide

EN-User Guide

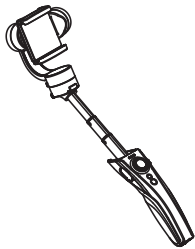
Overall Description

P1 is designed for smartphone video shooting. The innovative angled motors and foldable design make P1 an easy fit to your bag. P1 features a built-in extension rod for added height combined with the tripod, giving you more flexibility and initiative whether you film yourself or others. The connection port on the handle is compatible with an external Control Unit (purchased separately) which unlocks more advanced features like follow focus, parameter control and an OLED screen. Designed with users in mind, P1 brings your videos up to a professional level without much effort.

Please read the user guide carefully before using the product.

Packing list

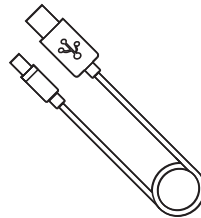
The product package comes with the following items. In case that any item is found missing, please contact customer service or your local selling agent.



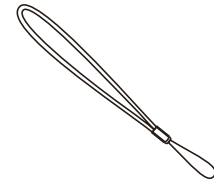
P1 Stabilizer x 1



Tripod x 1

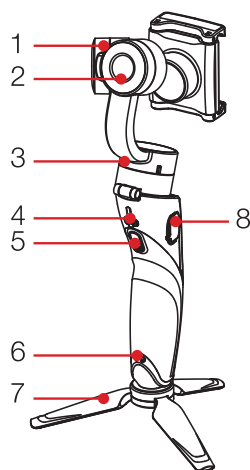


Type-C Cable x 1

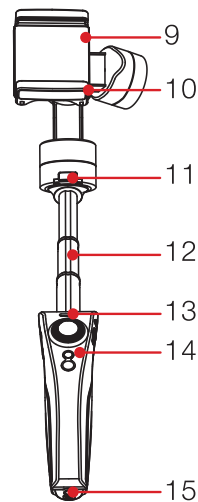


Wrist Strap x 1

Get to know P1



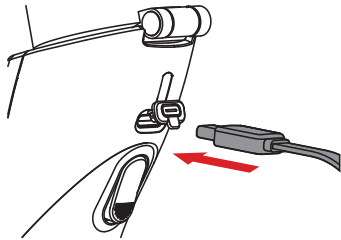
1. Tilt Axis Motor
2. Roll Axis Motor
3. Pan Axis Motor
4. USB Type-C Port
5. Go Mode Button
6. Strap Hole
7. Tripod
8. Connection Port for Control Unit



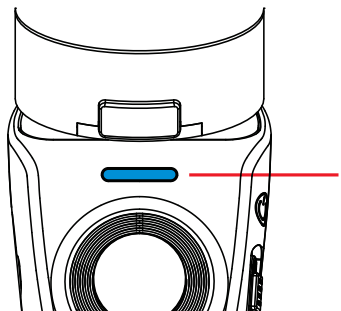
9. Phone Clamp
10. Mobile Charging Port
11. PUSH for Fold/Unfold
12. Built-in Extension Rod
13. Status Indicator (see more on Page 11)
14. Control Buttons (see more on Page 13)
15. 1/4" Threaded Hole

Charging and Battery Description

P1 is charged by built-in Li-ion batteries. For first use of the product, please fully charge it to activate batteries and guarantee the appropriate use of the product.

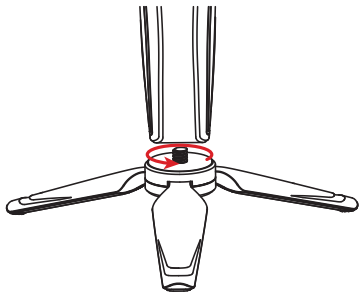


Charging method:
Connect Type-C cable provided in the package with adapter (5V/2A, not included in the package) to P1.

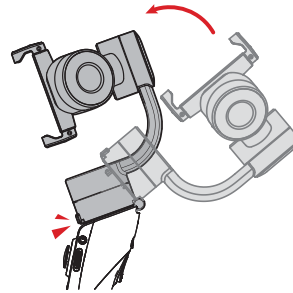


| Status Indicator | Indication |
|------------------|--|
| | Around 75~100% battery level |
| | Around 50~75% battery level |
| | Around 25~50% battery level |
| | Around 0~25% battery level |
| | Battery level too low to work normally |
| | Firmware upgrade |
| | Faulty |

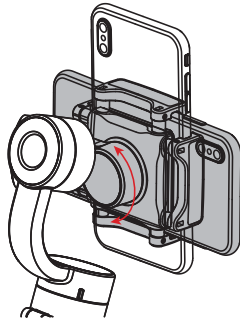
Installation



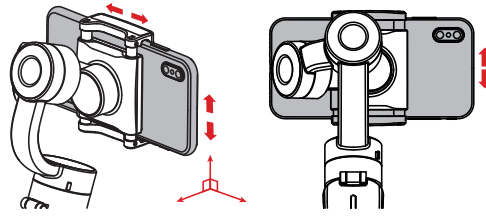
1. Mount the tripod to the 1/4" threaded hole underneath the stabilizer. Unfold the tripod and put it on level ground.



2. Line up and lock in pan axis with the handle.

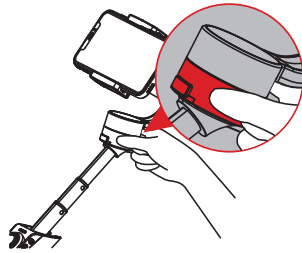


3. Put the phone into the clamp. You can turn the clamp to switch between portrait and landscape modes.



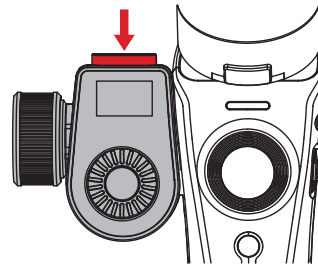
4. Adjust the phone horizontally and vertically to achieve balance.

! Please do not turn on the stabilizer before mounting the phone.



5. Please do not turn on the stabilizer before mounting the phone.

! Please do not hold the other parts to pull out or push in the extension rod otherwise the motors may get damaged.

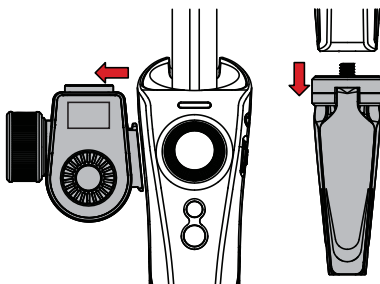


6. Open connection port dust cover on the left side of handle. Press the release button on Control Unit to install the unit to the stabilizer.

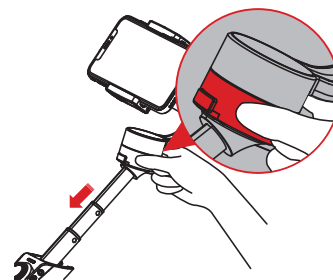
! Control Unit not included in the package

Folding Method

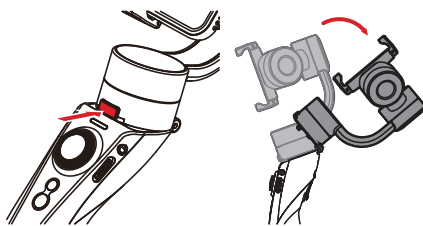
Follow the steps below to fold the stabilizer into the ideal compact size.



1. Remove the tripod and Control Unit.



2. Hold the indicated part to push in the extension rod.

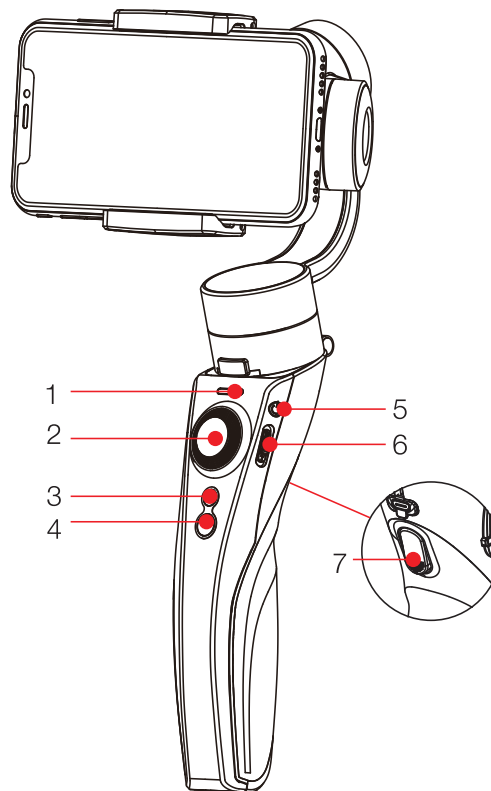


3. Press "PUSH" button and bend down the pan axis.



4. Insert the anchor to the notch for fixation. Fold the stabilizer as shown and put the stabilizer upright on the table.

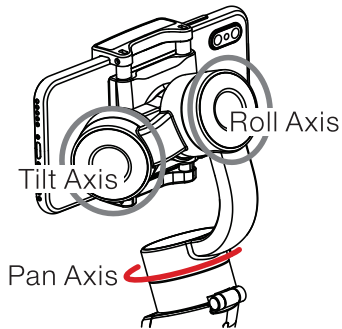
Control Panel Description



- | | |
|--|---|
| <p>1 Status Indicator (see more on Page 11)</p> <p>2 Joystick Four-way direction control of the phone on the stabilizer</p> <p>3 Mode Switch Button</p> <ul style="list-style-type: none"> • Single press the button to switch between pan following mode and locking mode. • Double press the button to switch between following mode and POV mode. <p>4 Photo/Video Button *</p> <ul style="list-style-type: none"> • Double press the button to switch between photo and video mode. • Triple press the button to switch between front and rear camera. • In photo mode, single press to take photos. Long press to shoot continuously. • In video mode, single press to start or stop recording. | <p>5 Power Button Press the button for 2 seconds to turn on/off the stabilizer.</p> <p>6 Zoom Slider * Push up/down to zoom in/out.</p> <p>7 Go Mode Button</p> <ul style="list-style-type: none"> • Long press the button to enter Go Mode. • Double press the button to go back to initial status. |
|--|---|

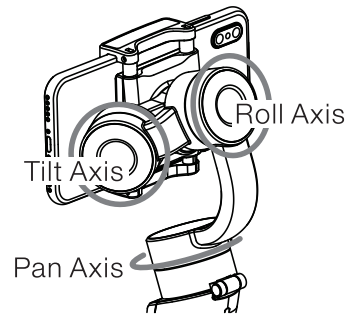
* This feature is realized with ZY Play APP by connecting the phone to the stabilizer via Bluetooth.

Operation Mode Description



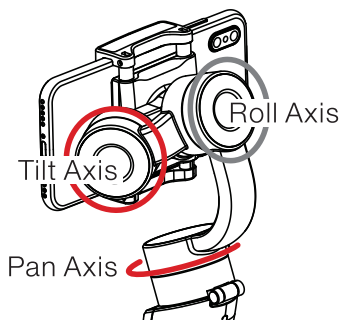
Pan Following Mode (PF):

Tilt axis and roll axis motors are locked and phone follows handle movement in horizontal direction.



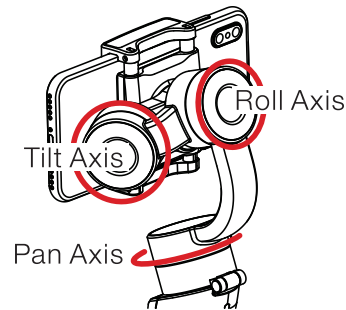
Locking Mode (L):

All three axes are locked and phone does not follow handle movement.



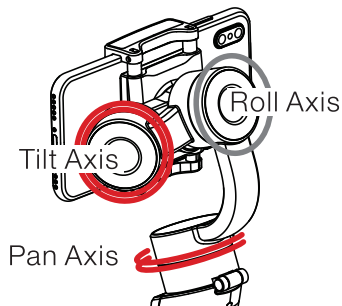
Following Mode (F):

The roll axis is locked and phone follows handle movement in the tilt and horizontal direction.



Point of View Mode (POV):

All three axes follow handle movement.

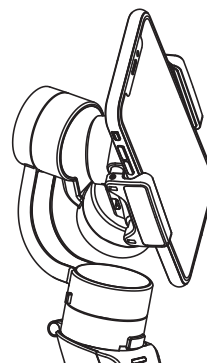


Go Mode (GO):

The roll axis is locked and phone follows handle movement in tilt and horizontal direction at full speed.

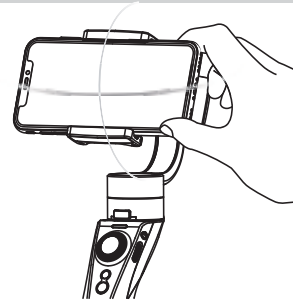
Quick Switch to Standby Mode

When the stabilizer is powered on, put the tilt axis down to align with the roll axis. The tilt axis is automatically locked and the stabilizer enters standby mode. Move tilt axis to horizontal position to wake up stabilizer.



Manual Reposition

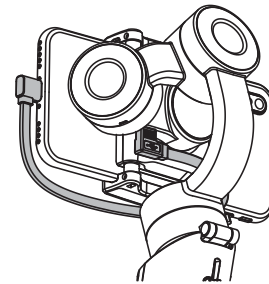
In pan following mode or locking mode, you can manually rotate phone to a desired angle, then release it and the phone will be fixed at that angle. Tilt axis angle can be manually adjusted in pan following mode. Both tilt axis angle and pan axis angle can be manually adjusted in locking mode.



Charging the Phone

To charge the phone, you should use the cable with one end as Micro USB port and another as charging port for phone (purchased separately). Connect stabilizer and phone, then stabilizer starts charging the phone.

! DO NOT charge the stabilizer via the Micro USB port on tilt axis, otherwise it may lead to short circuit and motor damage.



Download the APP



To download ZY Play, scan the QR code on the left (Android 5.0 and above, iOS 9.0 and above required) or search "ZY Play" in APP Store or Google Play.

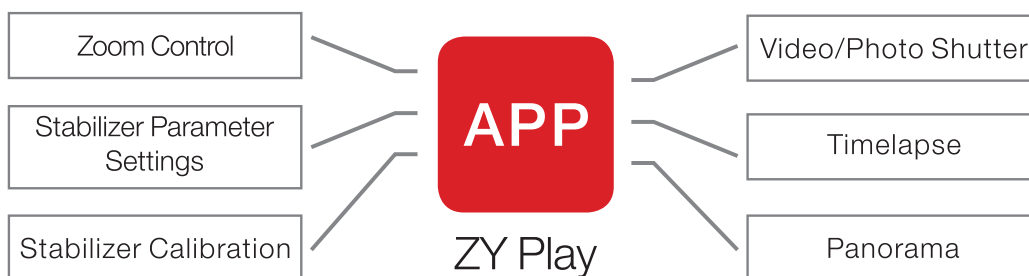
! 1. ZY Play is subject to change without prior notice. Please always refer to the latest version.

Connect to the APP

1. Power on the stabilizer and activate phone Bluetooth.
2. Open "ZY Play" APP and Tap "For Smartphones". Select "Other Stabilizers" > "Connect Now".

The stabilizer Bluetooth name is USER ID:XXXX at the back of the phone clamp.

APP Feature Description

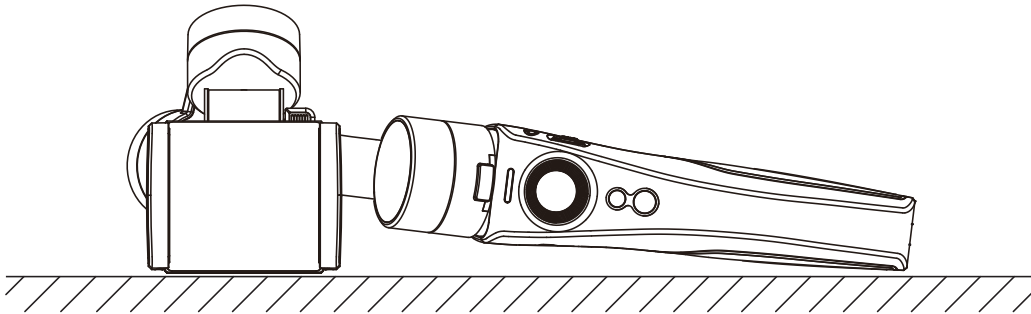


When Do You Need Calibration

Please calibrate stabilizers when needed.

| Situations | Method |
|---|------------------------------|
| <ol style="list-style-type: none"> 1. After starting up, tilt axis is not leveled to the ground. 2. After starting up, roll axis is not paralleled to the ground. 3. Frequent small angle correction is found on axis when the stabilizer stays still. | Initialize the stabilizer |
| <ol style="list-style-type: none"> 1. After initialization, tilt or roll axis is still not leveled / paralleled to the ground. 2. Stabilizer unused for a long time. 3. Large temperature differences | Conduct six-side calibration |
| After initialization or six-side calibration, tilt or roll axis is still not leveled/paralleled to the ground. | Fine tune the motors |

Initialization Method



After activating stabilizer and entering stand-by mode, put the stabilizer on the ground and wait for 30 seconds until the initialization is finished.

Six-side Calibration

Six-side calibration through APP:

Please refer to “APP Operations” on Page 15 for more information; Connect the stabilizer to ZY Play APP via Bluetooth; enter “calibration” and finish the six-side calibration following the APP instructions.



In simple terms, six-side calibration is to place all six sides of the phone clamp in vertical to a level surface respectively.

Motor Fine-tuning

Please refer to “APP Operations” on Page 15 for more information; Connect the stabilizer to ZY Play APP via Bluetooth; enter “PTZ” and adjust the value of the tilt and roll axis angle to your actual needs.

Product Specifications

Product model: SM105

| | Min. | Standard | Max. | Remark |
|---|---------------|----------|--------|----------------|
| Operation Voltage | 6.4V | - | 8.4V | |
| Operation Current | 140mA | - | 3000mA | |
| Charging Voltage | - | 5V | - | |
| Charging Current | - | 1500mA | - | |
| Tilt Mechanical Range | -170° | - | +65° | |
| Roll Mechanical Range | -90° | - | +150° | |
| Pan Mechanical Range | -145° | - | +145° | |
| Working Temperature | -10°C | 25°C | 45°C | |
| Battery Capacity | - | 1300mAh | - | Li-Ion Battery |
| Operation Time | - | - | 9h | Lab Data 1 |
| Charging Time | - | 2h | - | Lab Data 2 |
| Charging Environment Temperature | -5°C | - | +60°C | |
| Valid Payload | - | - | 270g | |
| Clamp Range | 65mm | - | 85mm | |
| Bluetooth | Bluetooth 5.0 | | | |
| Phone Charging | Available | | | |

"1" This data is gathered when the temperature is 25°C and the stabilizer is put still for 9 hours in balanced status.

"2" This test is conducted under the temperature of over 25°C and a 5V/2A battery charger is used in it. The charging time varies according to different environment and actual results may be different.

All the data in this guide is gathered from internal experiments of laboratories. Under different scenarios, data is different to some extent and please refer to actual use of P1.

Disclaimer and Warning

Thank you for using P1. The information contains herein affects your safety and your legal rights and responsibilities. Read this entire document carefully to ensure proper configuration before use. Failure to read and follow the instructions and warnings herein may result in serious injury to you or bystanders, or damage to P1 or property.

By using this product, you hereby signify that you have read this document carefully and that you understand and agree to abide by the terms and conditions herein. You agree that you are solely responsible for your own conduct while using this product, and for any consequences thereof. You agree to use this product only for purposes that are proper and in accordance with all terms, precautions, practices, policies and guidelines the Company has made and may make available.

The Company accepts no liability for damage, injury or any legal responsibility incurred directly or indirectly from the use of this product. Users shall observe safe and lawful practices including, but not limited to, those set forth herein.

This guide is for reference only and does not constitute any kind of commitment. Product(s), including but not limited to its color, size, etc., are subject to the actual product.

Reading Tip

Symbol Description:



Operation and Use Tips



Important Notes

Data charges may occur when you scan QR code to read or download the electronic user manual online, so you'd better process under WIFI environment.

Warning

Read the ENTIRE User Guide to become familiar with the features of this product before operating. Failure to operate the product correctly can result in damage to the product or personal property and cause serious injury. This is a sophisticated product. It must be operated with caution and common sense and requires some basic mechanical ability. Failure to operate this product in a safe and responsible manner could result in injury or damage to the product or other property. This product is not intended for use by children without direct adult supervision. The safety guidelines herein contain instructions for safety, operation and maintenance. It is essential to read and follow all of the instructions and warnings in the User Guide, prior to assembly, setup or use, in order to operate the product correctly and avoid damage or serious injury.

Safe Operation Guidelines

■ CAUTION

1. P1 is a high-precision control device. Damage may be caused to P1 if it is dropped or subject to external force, and this may result in malfunction.
2. Make sure the rotation of the gimbal axes is not blocked by external force when P1 is turned on.
3. P1 is not waterproof. Prevent contacts of any kind of liquid or cleaner with P1. It is recommended to use dry soft cloth for cleaning.
4. Protect P1 from dust and sand during use.
5. The battery will stop charging automatically when it is full. Disconnect the batteries from the charger when fully charged.

Warranty Period

1. Customers are entitled to replacement or free repair service in case of quality defect(s) found in the product within 15 days upon receipt of the product.
2. Customers are entitled to free repair service from the Company for any product proven defective in material or workmanship that results in product failure during normal consumer usage and conditions within the valid warranty period, which is 12 months counting from the date of selling.

This warranty does not apply to the followings

1. Products subjected to unauthorized repair, misuse, collision, neglect, mishandling, soaking, accident, and unauthorized alteration.
2. Products subjected to improper use or whose labels or security tags have been torn off or altered.
3. Products whose warranty has expired.
4. Products damaged due to force majeure, such as fire, flood, lightening, etc.

FCC Caution.

This device complies with part 15 of the FCC Rules. Operation is subject to the following two conditions: (1) This device may not cause harmful interference, and (2) this device must accept any interference received, including interference that may cause undesired operation.

Any Changes or modifications not expressly approved by the party responsible for compliance could void the user's authority to operate the equipment.

Note: This equipment has been tested and found to comply with the limits for a Class B digital device, pursuant to part 15 of the FCC Rules. These limits are designed to provide reasonable protection against harmful interference in a residential installation. This equipment generates uses and can radiate radio frequency energy and, if not installed and used in accordance with the instructions, may cause harmful interference to radio communications. However, there is no guarantee that interference will not occur in a particular installation. If this equipment does cause harmful interference to radio or television reception, which can be determined by turning the equipment off and on, the user is encouraged to try to correct the interference by one or more of the following measures:

- Reorient or relocate the receiving antenna.
- Increase the separation between the equipment and receiver.
- Connect the equipment into an outlet on a circuit different from that to which the receiver is connected.
- Consult the dealer or an experienced radio/TV technician for help.

.....