



# ZHIYUN MOLUS G300 COB Light

User Guide

# Contents

<input type="checkbox"/> Brief Introduction	
Brief Introduction	1
<input type="checkbox"/> Product List	
Product List	3
<input type="checkbox"/> Get to Know ZHIYUN MOLUS G300	
Get to Know ZHIYUN MOLUS G300	4
<input type="checkbox"/> Power Supply	
Power Supply	5
<input type="checkbox"/> Installing Modifiers	
Installing/Detaching the Reflector	6
Installing a Light Stand	7
Installing/Detaching the Umbrella	8
<input type="checkbox"/> How to Use ZHIYUN MOLUS G300	
Buttons and Dials	9
Operation Instruction	10
Power-on Setting	12
<input type="checkbox"/> Firmware Upgrade	
<input type="checkbox"/> Product Specifications	
<input type="checkbox"/> Disclaimer and Warnings	
Reading Tips	17
Safe Operation Instructions	18

Warranty Card

Warranty Period . . . . . 19

Warranty Exclusions . . . . . 19

Warranty Claim Procedure . . . . . 19


Contact Card


## Brief Introduction

ZHIYUN MOLUS G300 Video Light is a high-power, high-illumination, portable fill light that supports brightness/color temperature adjustment functions. It is small in size but performs excellently, with a separate control design that is easy to operate and efficient. It comes with an industry-standard Bowens mount, has excellent accessory compatibility, and meets the lighting needs of video recording, live interviews, still photography, and other shooting scenarios. The product has the following features:


1. Lightweight, portable, simple and easy to operate, with excellent performance
2. Easy adjustment of brightness/color temperature, suitable for a wide range of applications.
3. High color rendering performance, accurately restoring object colors.
4. Features a variety of lighting effects for effortlessly creating imaginative scenes.
5. Supports Bluetooth mesh networking and remote dimming through an app, improving lighting efficiency and convenience.
6. Comes with standard Bowens mount, compatible with various light control accessories.
7. Delicate display screen for clear and convenient parameter settings.
8. Built with DynaVort Cooling System™ to excellently dissipate heat.
9. Comes with a light support that can adjust direction and can be installed on a light stand or used with an umbrella.

### **WARNING**

 This product is not waterproof. Prevent contact with any kind of liquid with the ZHIYUN MOLUS G300. Never use the product in the rain or a humid environment.

 If water accidentally enters the device when using, please stop using it immediately and contact the company or authorized maintenance personnel for maintenance, and continue to use it only when the maintenance is finished.

 Do not expose this product to corrosive chemicals, inflammable and explosive materials.

 Do not touch the heating part when the product is working to avoid getting burned.

- ⚠ Do not wrap or block the fans to avoid cooling effect damage.
- ⚠ Do not turn the product directly to the eyes to avoid eyesight damage.
- ⚠ Do not expose this product to an environment above 40°C .

### **BE CAREFUL**

1. This product is a high-precision control device. Damage may be caused to the product if dropped or subject to external force, and this may result in malfunction.
2. Please keep your hands dry while using the product and use soft dry cloth for cleaning.
3. Keep this product out of the reach of children.
4. When not using this product, please disconnect the external power supply.
5. Do not place any other items on top of this product to avoid damage to this product.
6. Protect the product from dust and sand during use.
7. Before storing this product, please make sure it is completely cooled and store it in a dry and ventilated place.
8. Do not disassemble this product on your own. In the event of malfunctions, it should be repaired by ZHIYUN or authorized maintenance personnel.

## Product List

Before using this product, please check carefully that all the following items are included in the product package. In case that any item is found missing, please contact ZHIYUN or your local selling agent.

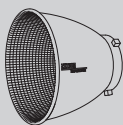


灯体

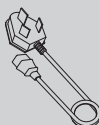


Controller x1

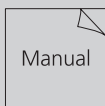
ZHIYUN MOLUS G300 x1



Reflector x1



AC Power Cable x1



Quick Start Guide x1

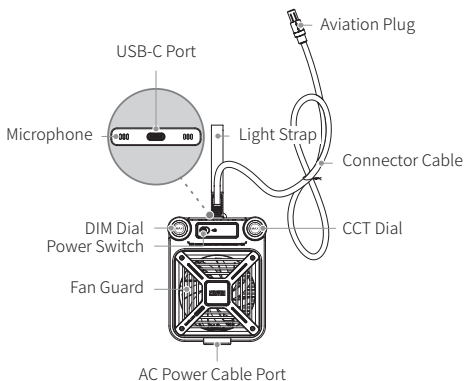
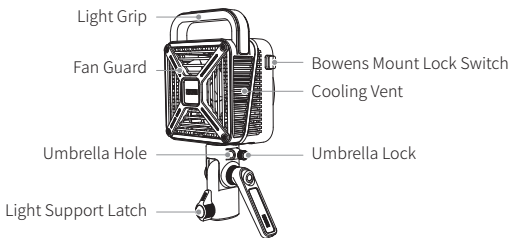
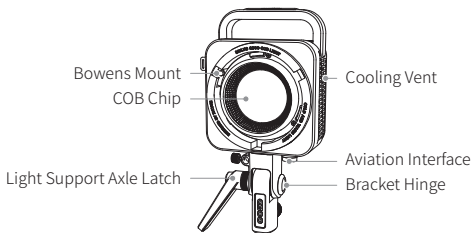


Light bead protection cover x1



Umbrella hole lock knob x1

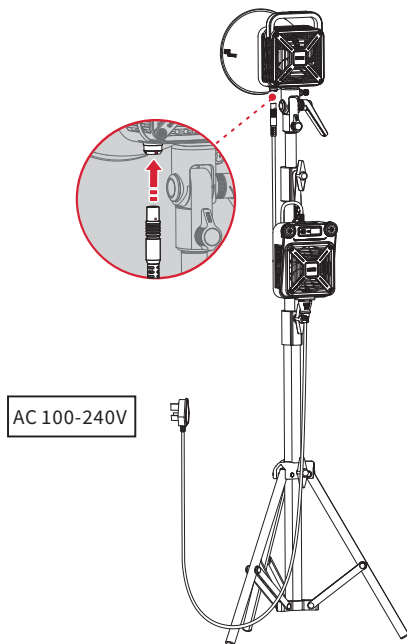
## Get to Know ZHIYUN MOLUS G300



## Power Supply

This product does not contain batteries. To ensure normal operation, please follow these steps:

Use the controller cable to connect the controller to the ZHIYUN MOLUS G300, and then use an AC power cable to connect the controller to a power outlet to supply power to the G300



⚠ Please ensure the aviation plug is plugged into the correct position. The red indicator on the aviation plug should line up with the one on the interface.

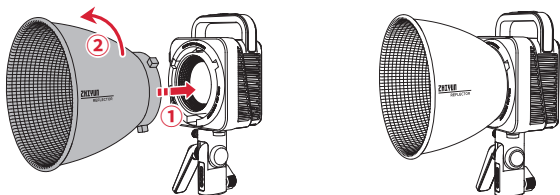


## Installing/Detaching the Reflector

ZHIYUN MOLUS G300 is compatible with standard Bowens mount accessories, and in this case, we will use the standard reflector (Bowens mount) as an example for installation.

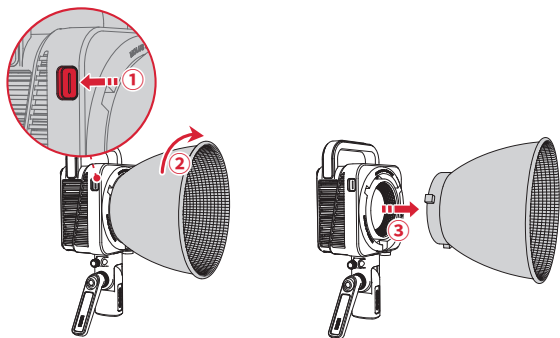
### Installing:

Align the mount of the standard reflector with the mount of the MOLUS G200, and install the standard reflector onto the light body ①. Press the standard reflector slightly into the mount of the light body, and rotate the standard reflector counterclockwise until it is locked in place and cannot be rotated ②, which means the installation is completed.



### Detaching:

Hold down the lock switch of the Bowens mount and do not release ①. Rotate the standard reflector clockwise ②, and then remove the standard reflector from the light body ③ to complete the disassembly.



## Installing a Light Stand

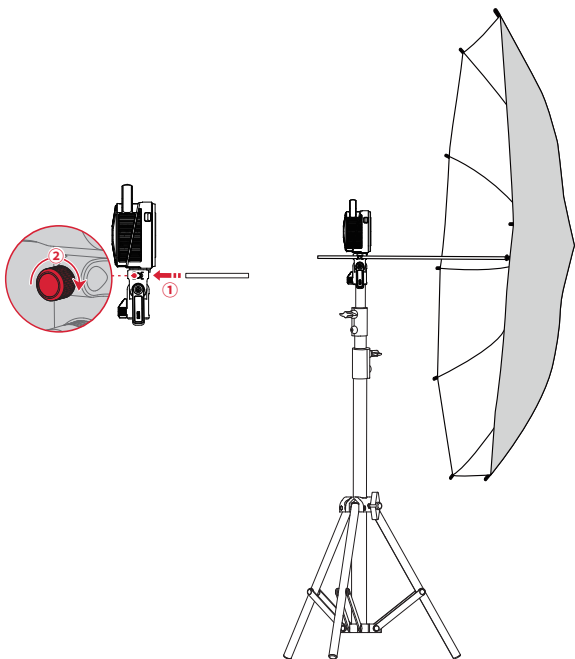
Align the end of the light support with the 1/4 screw at the top of the light stand ① . Then, install the G300 onto the light stand and tighten the light support latch ② . Loosen the light support axle latch ③ and adjust the angle of the light body as you wish ④ . Finally, tighten the light support axle latch ⑤ .




 Light stand is not provided in the product package.

## Installing/Detaching the Umbrella

Insert the handle of the umbrella into the umbrella hole on the light support, and then tighten the umbrella lock clockwise. To detach the umbrella, rotate the umbrella lock counterclockwise and pull out the handle of the umbrella.



 Umbrella is not provided in the product package.

⚠ Staring at the glowing chip of the MOLUS G300 during operation is strictly prohibited.

⚠ The protection level of the MOLUS G300 outer case is IP20.

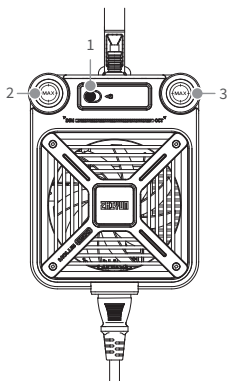
💡 Before using the ZHIYUN MOLUS G300, please be sure to remove the lamp bead protection cover first. Please refer to the removal method Disassembly method of quasi-cover .

During the use of the MOLUS G300, when the temperature rises to a certain degree, the fan will automatically turn on to achieve the purpose of heat dissipation for the light.

When the temperature is too high, the high-temperature protection mechanism of MOLUS G300 will be activated to ensure the safe use of the light.

If the high-temperature protection mechanism is triggered, ZHIYUN MOLUS G300 will automatically turn off. Once the temperature decreases, the light will automatically turn on again. During this period, please do not place the light on a wooden table or any other flammable surface.

## Buttons and Dials



### 1. Power Button:

Toggle to the left/right: Power on/off

### 2. DIM Dial:

Single press: Quickly adjust the parameter  
Confirm (MENU interface)

Turn: Adjust the parameter

Triple press: Reset Bluetooth

Long press: Enter/exit the menu

### 3. CCT Dial:

Single press: Quickly adjust the parameter  
(CCT mode)

Turn: Adjust the parameter (CCT mode)

Switch the option (FX mode/MENU mode)

Long press: Enter/Exit FX mode

### DIM Dial+CCT Dial:

Press at the same time: Turn on/off MAX mode

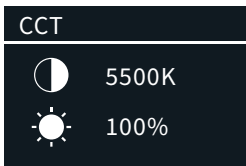
## Operation Instruction

### 1. CCT Mode Settings

In the CCT mode interface, single press or turn the DIM dial to adjust the brightness. Single press or turn the CCT dial to adjust the temperature.

Brightness adjustment range: 0-100%;

Color temperature adjustment range: 2700K-6500K;

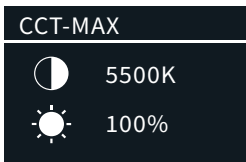


### 2. MAX Mode Settings

In the CCT mode interface, long press DIM dial and CCT dial at the same time to turn on the MAX mode. Single press or turn the CCT dial to adjust the temperature.

Brightness adjustment range: 0-100%;

Color temperature adjustment range: 2700K-6500K;




- ① Under MAX mode, the default brightness is 100% and the color temperature is 4300K.
- ② In order to provide a better user experience, when the MAX mode is used at temperatures exceeding 30° C, MOLUS G300 will automatically disable the MAX mode and return to the CCT mode once the temperature has risen to a certain level.

### 3. FX Mode Settings

Long press the CCT dial to enter FX mode. Turn the CCT dial to switch between brightness/speed/color temperature options. Single press or turn the DIM dial to adjust the chosen option.

**Lighting effect types:** SOS, Paparazzi, Fire, Faulty Bulb, TV, Lightning, Explosion, Welding, Flashlight, CCT Flash, CCT Pulse, CCT Loop, Fireworks, Music.


FX	
FX:	SOS
DIM:	100%
SPD:	5 ▼

 The parameter values in a single light effect are only effective for that light effect.

### 4. MENU Settings

Long press the DIM dial to enter the MENU interface. Turn the CCT dial to switch between language/Bluetooth reset options. Turn the DIM dial to adjust the chosen option. Single press the DIM dial to confirm.

MENU	
Language:	English
BT Rst:	No
Firmware:	V1.76

 Under the "MENU" option, you can also check the firmware version information for the ZHIYUN MOLUS G300.

## Power-on Setting

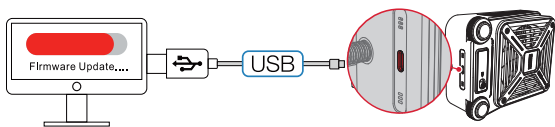
**Normal mode:** Before connecting the MOLUS G300 to an AC power source, the power switch should be on the left side. After connecting to power, toggle the power switch to the right side to turn on the light.

**Live mode:** Before connecting the MOLUS G300 to an AC power source, the power switch should be on the right side. The light will turn on automatically after connecting to power.

You can use “Zhiyun Led Tools” or “ZY Vega” to perform the ZHIYUN MOLUS G300 firmware upgrade.

Method 1:

1. Visit the official website of ZHIYUN ([www.zhiyun-tech.com](http://www.zhiyun-tech.com)), go to the ZHIYUN MOLUS G300 product page, click "Download", find the Zhiyun Led Tools and the firmware and download.
2. Unzip the firmware for the files with the ".ptz" file extension.
3. Connect the USB-C port of ZHIYUN MOLUS G300 to the USB port of the computer with the USB Type-C cable.
4. Open "Zhiyun Led Tools", click "Open", and click "Firmware Upgrade". Click "Browse" under "Path" to select the latest firmware downloaded (with the ".ptz" file extension), and click "Upgrade" at the bottom to upgrade firmware. ZHIYUN MOLUS G300 will automatically turn off when the upgrade is finished.







#### Method 2:

The firmware of the ZHIYUN MOLUS G300 can be upgraded using the "ZY Vega" app. For more detailed instructions, please visit the ZHIYUN official website at [www.zhiyun-tech.com](http://www.zhiyun-tech.com) and watch the related video tutorials for the ZHIYUN MOLUS G300.

- ① When using Method 1 for the upgrade, please wait until the screen displays that the upgrade is finished, then you can plug out the USB Type-C cable.
- ② Before upgrading the firmware, please ensure that the ZHIYUN MOLUS G300 has more than 50% power remaining. You can not exit the app interface or access in the background during the upgrading process. Pay attention to the prompts on the app.

Product Model: PLG105

<b>Max. Input Power</b>	500W	
<b>Max. Output Power</b>	450W	
<b>Color Temperature Range</b>	2700K-6500K	
<b>Brightness Adjustment Range</b>	0-100%	
<b>CRI/TLCI</b>	CRI $\geq$ 95 TLCI $\geq$ 97	
<b>TM-30 Rf (on average)</b>	94	
<b>TM-30 Rg (on average)</b>	101	
<b>CQS</b>	$\geq$ 94	
<b>Power Supply Standard</b>	AC100~240V/6.5~4A 50~60Hz	
<b>Illuminance (CCT mode, maximum power, without reflector)</b>	15500(lux)	Lab Data 1
<b>Illuminance (CCT mode, maximum power, with reflector)</b>	61000(lux)	Lab Data 2
<b>Illuminance (MAX mode, maximum power, without reflector)</b>	20300(lux)	Lab Data 3
<b>Illuminance (MAX mode, maximum power, without reflector)</b>	81100(lux)	Lab Data 4
<b>Operation Temperature</b>	-10°C -40°C	
<b>Control Method</b>	Device Control / App Bluetooth Control	
<b>Light Size (with light support)</b>	148*259*84mm	
<b>Controller Size</b>	128*164*73mm	
<b>Product Net Weight (without standard reflector)</b>	2.772kg	

Lab Data 1 : The data is collected in the following conditions: No reflectors, 25°C temperature, indoor illuminance lower than 0.1lux, test distance 1m, and the color temperature is set at 5500K with 100% brightness. The illuminance is 15500lux. The actual illuminance varies under different conditions.

Lab Data 2 : The data is collected in the following conditions: Installed reflectors, 25°C temperature, indoor illuminance lower than 0.1lux, test distance 1m, and the color temperature is set at 5500K with 100% brightness. The illuminance is 61000lux. The actual illuminance varies under different conditions.

Lab Data 3 : The data is collected in the following conditions: No reflectors, 25°C temperature, indoor illuminance lower than 0.1lux, test distance 1m, and the color temperature is set at 4300K with 100% brightness. The illuminance is 20300lux. The actual illuminance varies under different conditions.

Lab Data 4 : The data is collected in the following conditions: Installed reflectors, 25°C temperature, indoor illuminance lower than 0.1lux, test distance 1m, and the color temperature is set at 4300K with 100% brightness. The illuminance is 81100lux. The actual illuminance varies under different conditions.

Any data mentioned in this user guide is the result of internal testing at ZHIYUN Lab. Under different objective conditions, there may be varying degrees of error in the data. Please refer to actual experience with the device.

Thank you for purchasing this product. The information contains herein affects your safety, legitimate rights and obligation. Please read this instruction carefully to ensure proper configuration before use. Failure to read and follow this instruction and warnings herein may result in serious injury to you or bystanders, or damage to your device or property. Guilin Zhishen Information Technology Co., Ltd (hereinafter referred to as "ZHIYUN") reserves all rights for final explanation of this instruction and other documents related to this product. The information is subject to update without notice. Please visit [www.zhiyun-tech.com](http://www.zhiyun-tech.com) to obtain the latest product information.

By using this product, you hereby signify that you have read this document carefully and that you understand and agree to abide by the terms and conditions herein. You agree that you are solely responsible for your own conduct while using this product, and for any consequences thereof. You agree to use this product only for purposes that are proper and in accordance with all terms, precautions, practices, policies and guidelines ZHIYUN has made and may make available.

ZHIYUN accepts no liability for damage, injury or any legal responsibility incurred directly or indirectly from the use of this product. Users shall observe safe and lawful practices including, but not limited to, those set forth herein.

ZHIYUN™ is the trademark of Guilin Zhishen Information Technology Co., Ltd and its affiliates. All product names or trademarks referred to herein are trademarks or registered trademarks of their respective holders.

### Reading Tips

Legends:  Hints and Tips

 Important

## Safe Operation Instructions

Read the ENTIRE User Guide to become familiar with the features of this product before operating. Failure to operate the product correctly can result in damage to the product or personal property and cause serious injury. This is a sophisticated product. It must be operated with caution and common sense and requires some basic mechanical ability. Failure to operate this product in a safe and responsible manner could result in injury or damage to the product or other property. This product is not intended for use by children without direct adult supervision. DO NOT use with incompatible components or in any way otherwise as mentioned or instructed in the product documents provided by ZHIYUN. The safety guidelines herein contain instructions for safety, operation and maintenance. It is essential to read and follow all of the instructions and warnings in the User Guide, prior to assembly, setup or use, in order to operate the product correctly and avoid damage or serious injury.

### Warranty Period

1. Customers are entitled to replacement or free repair service in case of quality deficits found in the product within 15 days upon receipt of the product.
2. Customers are entitled to free repair service from ZHIYUN for any product proven defective in material or workmanship that results in product failure during normal consumer usage and conditions within the valid warranty period, which is 12 months counting from the date of selling. However, warranty period varies by product component and country of purchase. Please contact our after-sales service team on ZHIYUN official website or your place of purchase for detailed warranty information.

### Warranty Exclusions

1. Products subjected to unauthorized repair, misuse, collision, neglect, mishandling, soaking, accident, and unauthorized alteration.
2. Products subjected to improper use or whose labels or security tags have been torn off or altered.
3. Products whose warranty has expired.
4. Products damaged due to force majeure, such as fire, flood, lightning, etc.

### Warranty Claim Procedure

1. If failure or any problem occurs to your product after purchase, please contact a local agent for assistance, or you can always contact ZHIYUN's customer service through email at [info@zhiyun-tech.com](mailto:info@zhiyun-tech.com) or website at [www.zhiyun-tech.com](http://www.zhiyun-tech.com).
2. Your local agent or ZHIYUN's customer service will guide you through the whole service procedure regarding any product issue or problem you have encountered. ZHIYUN reserves the right to reexamine damaged or returned products.

**Customer Information**

Customer Name:

Phone Number:

Address:

**Sales Information**

Sales date:

Product Serial Number:

Distributor Name:

Distributor's Contact Number:

**First Maintenance Record**

Service Date:

Repairman Signature:

Cause of Problem:

Service Result:

 Solved Unsolved Refunded/Replaced



Website



Weibo



Vimeo



Google+



Facebook  
(Zhiyun Support)



Facebook  
(Zhiyun Tech)



Youku



Youtube



Wechat



Instagram



Tel: +86 400 900 6868

USA Hotline: +1 808-319-6137,9:00-18:00 GMT-7,Mon-Fri

Europe Hotline: +49 (0) 61018132180,10:00-17:00 GMT+1,Mon-Fri

Web: [www.zhiyun-tech.com](http://www.zhiyun-tech.com)

E-mail: [info@zhiyun-tech.com](mailto:info@zhiyun-tech.com)

Address: 09 Huangtong Road, Tieshan Industrial Zone, Qixing District, Guilin, 541004, Guangxi, China

## Certificate of Quality

This product is confirmed to meet quality standards and permitted for sale after strict inspection.

QC Inspector: \_\_\_\_\_



For full product information, please visit ZHIYUN's official website: Content on [www.zhiyun-tech.com](http://www.zhiyun-tech.com) is subject to update without notice.

ZHIYUN™ is a trademark of ZHISHEN

All product names or brands referred to hereunder may be trademarks or registered trademarks of their respective holders.

Copyright © 2024 ZHISHEN. All rights reserved.

This device complies with part 15 of the FCC Rules. Operation is subject to the following two conditions:

(1) This device may not cause harmful interference, and (2) this device must accept any interference received, including interference that may cause undesired operation. Any Changes or modifications not expressly approved by the party responsible for compliance could void the user's authority to operate the equipment.

Note: This equipment has been tested and found to comply with the limits for a Class B digital device, pursuant to part 15 of the FCC Rules. These limits are designed to provide reasonable protection against harmful interference in a residential installation. This equipment generates uses and can radiate radio frequency energy and, if not installed and used in accordance with the instructions, may cause harmful interference to radio communications. However, there is no guarantee that interference will not occur in a particular installation. If this equipment does cause harmful interference to radio or television reception, which can be determined by turning the equipment off and on, the user is encouraged to try to correct the interference by one or more of the following measures:

- Reorient or relocate the receiving antenna.
- Increase the separation between the equipment and receiver.
- Connect the equipment into an outlet on a circuit different from that to which the receiver is connected.
- Consult the dealer or an experienced radio/TV technician for help

FCC Radiation Exposure Statement:

This equipment complies with FCC radiation exposure limits set forth for an uncontrolled environment. This equipment should be installed and operated with minimum distance 20cm between the radiator & your body.

Hereby, [Guilin Zhishen Information Technology Co., Ltd.] declares that the radio equipment type [PLG105] is in compliance with Directive 2014/53/EU. The full text of the EU declaration of conformity is available at the following internet address: <https://www.zhiyun-tech.com/compliances>.

- English:

This device complies with Industry Canada licence-exempt RSS standard(s). Operation is subject to the following two conditions:

- (1) this device may not cause interference, and
- (2) this device must accept any interference, including interference that may cause undesired operation of the device."

- French:"

Le pr é sent appareil est conforme aux CNR d'Industrie Canada applicables aux appareils radio exempts de licence.

L'exploitation est autoris é e aux deux conditions suivantes :

- (1) l'appareil nedoit pas produire de brouillage, et
- (2) l'utilisateur de l'appareil doit accepter tout brouillage radio é lectrique subi, m ê me si le brouillage est susceptible d'en compromettre le fonctionnement."

IC Radiation Exposure Statement:

This equipment complies with IC radiation exposure limits set forth for an uncontrolled environment. This equipment should be installed and operated with minimum distance 20cm between the radiator & your body.

D é claracion d' exposition au rayonnement IC:

Cet é quipement est conforme aux limites d' exposition au rayonnement IC fix é es pour un Environnement non contrl é . Cet é quipement doit é tre install é et exploit é Avec une distance minimale de 20cm entre le radiateur et votre corps.

ZHIYUN-TECH.COM