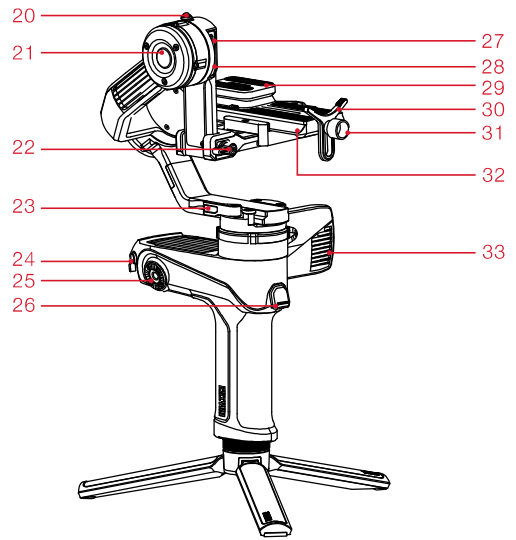
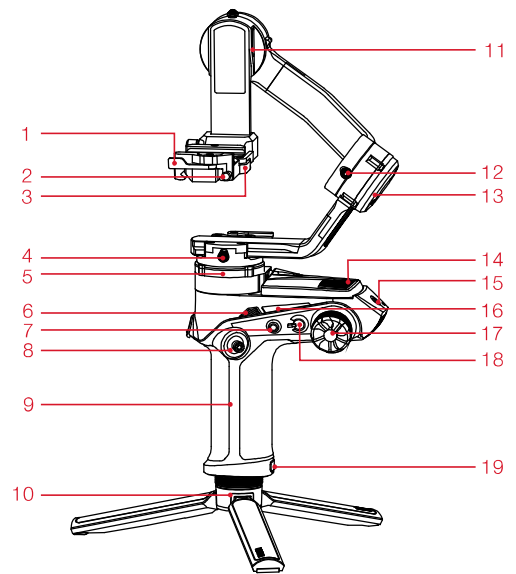


WEEBILL 2

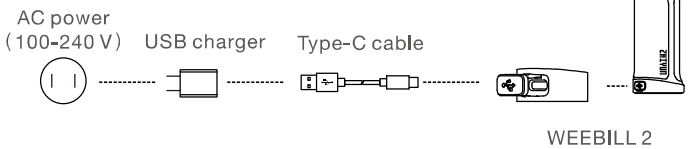
1. Get to Know WEEBILL 2



- | | |
|------------------------------------|--------------------------------------------------|
| 1. Quick Release Plate Latch | 18. Mode Switch (PF/F/L) |
| 2. Quick Release Plate Safety Lock | 19. Type-C Charging/Upgrade Port |
| 3. Quick Release Plate Base Latch | 20. Tilt Axis Lock Switch |
| 4. Pan Axis Lock Switch | 21. Tilt Axis Motor |
| 5. Pan Axis Motor | 22. Level Mount Lock Screw |
| 6. Power Button | 23. Pan Axis Latch |
| 7. Photo/Video Button | 24. Sling Grip Handle Latch |
| 8. Joystick | 25. 1/4" Screw Thread with Rosette Mount |
| 9. Handle | 26. Trigger Button |
| 10. Tripod | 27. Follow Focus Control Port |
| 11. Camera Control Port | 28. Follow Focus/Image Transmission Control Port |
| 12. Roll Axis Lock Switch | 29. Camera Backing Base |
| 13. Roll Axis Motor | 30. Lens Support |
| 14. Touch Screen (Retract State) | 31. Lens Support Lock Screw |
| 15. 1/4" Screw Hole | 32. Quick Release Plate |
| 16. Indicator Lights | 33. Touch Screen (Launch State) |
| 17. Control Wheel | |

2. Charging

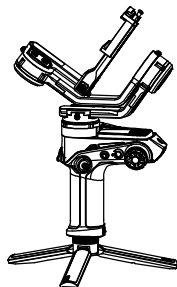
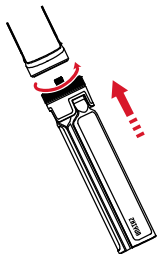
Use provided Type-C cable to connect with the USB charger (not provided) to charge the WEEBILL 2. It is recommended to use USB chargers that meet the QC 2.0 or PD policy. (QC supports 20W at most, PD supports 25W at most). When the four indicator lights stay solid, the charging is completed.



Please power off WEEBILL 2 before charging.

3. Mount and Balance

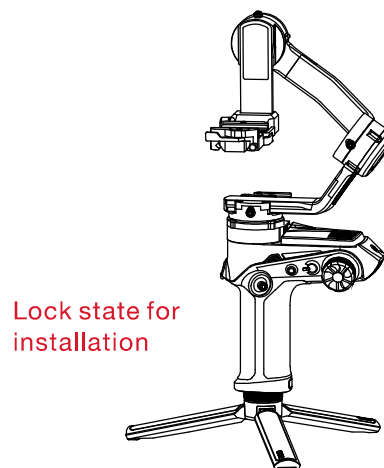
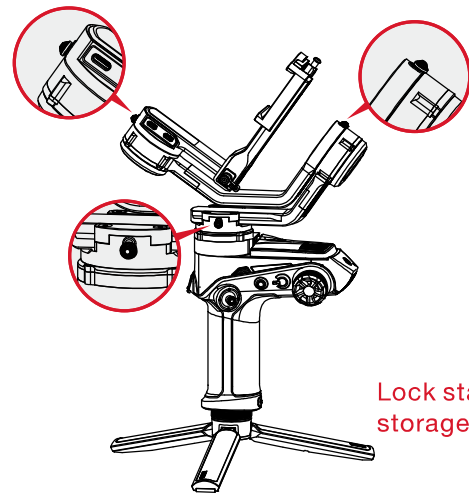
Mount the Tripod



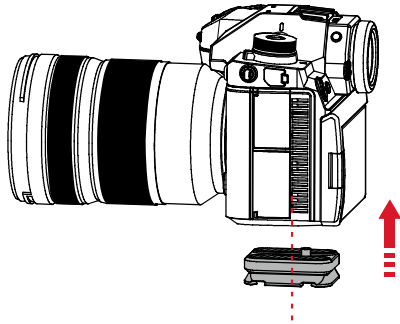
zhiyun-tech.com


Mount the Camera

- ① Before mounting the camera, make sure it is prepared ahead of time. Remove the lens cap and make sure the camera's battery and memory card are already in place.
- ② Each axis of the stabilizer is equipped with a lock switch. You can use these lock switches to lock the axes for convenient installation and storage. The storage state is the default state. Please unlock three axes, expand the stabilizer as shown in the image and lock the axes again for convenient camera installation.



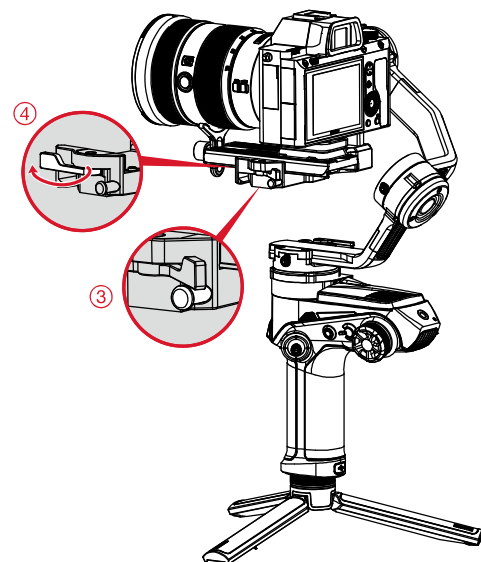
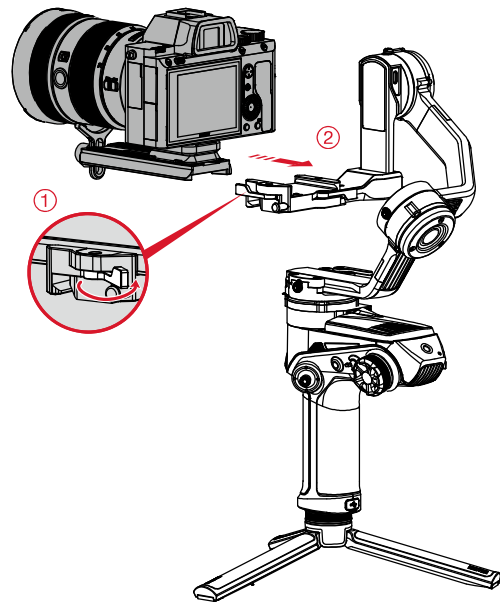
1. Mount the camera on the camera backing base. Tighten the bottom screw and ensure a firm installation.




-  You may decide whether or not to use the camera backing base depending on your camera-lens combo. You will need the camera backing base in the following situations:
- ① When mounting external follow focus motor.
 - ② When using lenses with larger diameters, such as the Canon RF24-70mm F2.8 L IS USM lens.

2. Mount the camera on the quick release plate. In order to be stable, when mounted with a longer or heavier lens, please mount the lens support and make sure a firm installation.

3. Loosen the quick release plate latch, take the quick release plate with the camera mounted on it and mount it on the stabilizer. Make sure the safety lock is locked and lock the quick release plate to ensure a firm installation.

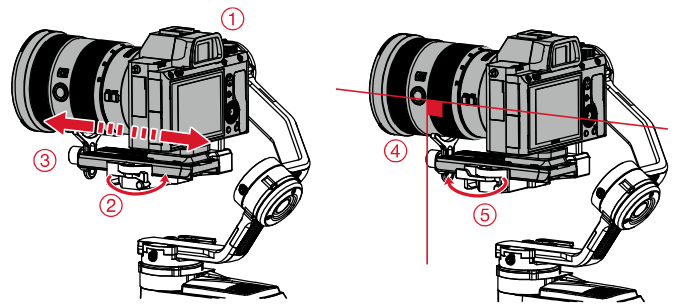


 When detaching the camera from the stabilizer, loosen the quick release plate latch, press the safety lock and push out the whole quick release plate.

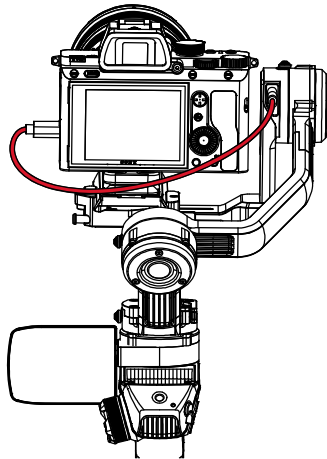
Balance the Stabilizer


1. Horizontal Balance of the Tilt Axis

Unlock the tilt axis and quick release plate latch, push the quick release plate to move forward or backward until the camera can stay still and almost level with its lens facing front. Complete this step by tightening up the quick release plate latch.



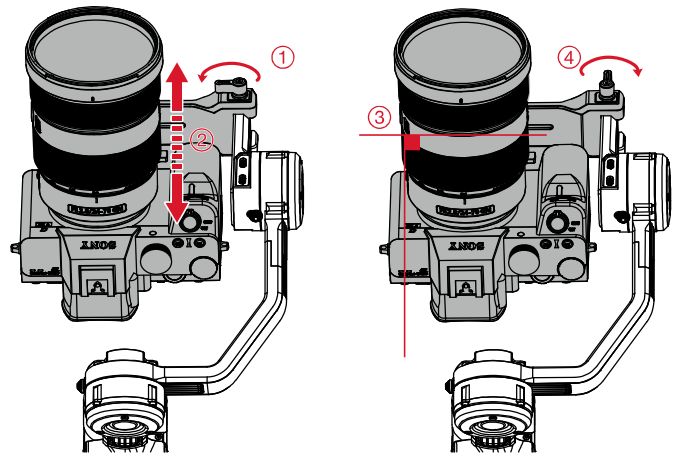
4. Choose the correct camera control cable according to the camera model. Connect the USB control port of the camera and the camera control port of WEEBILL 2.



 For details of supported camera model for WEEBILL 2, please visit the official website of ZHIYUN (www.zhiyun-tech.com) and check the "WEEBILL 2 Camera Compatibility List".

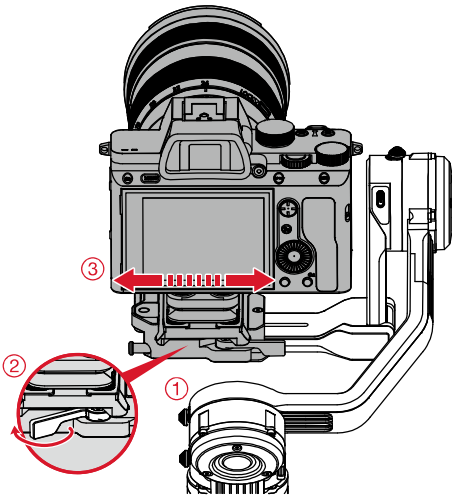
2. Vertical Balance of the Tilt Axis

Unlock the tilt axis, make the lens face up, loosen the level mount lock screw. Push the whole level mount to move forward or backward until the camera can stay still with the lens facing up (i.e.the camera stays still and vertical to the ground). Complete this step by tightening up the screw.



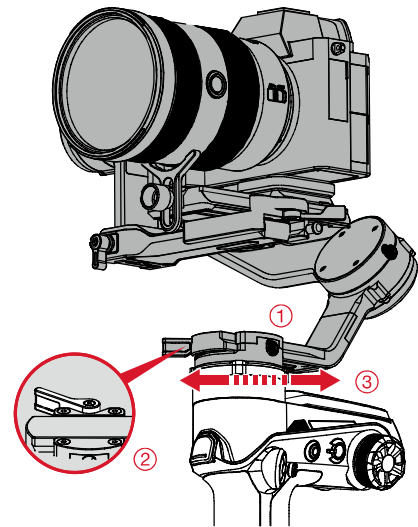
3. Roll Axis Balance

Unlock the roll axis and the quick release plate latch, push the camera to move left or right until the camera can stay still and horizontal to the ground (as shown below). Complete this step by tightening up the latch.



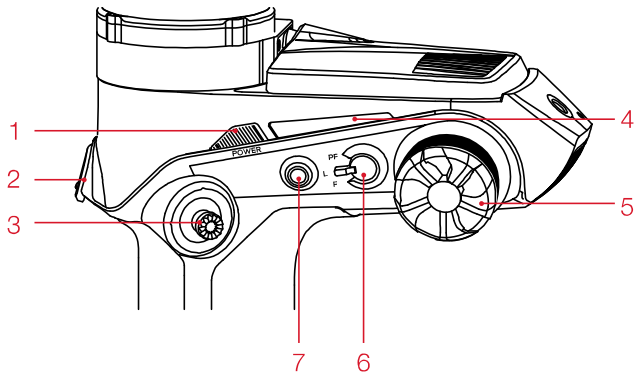
4. Pan Axis Balance

Unlock the pan axis, loosen the pan axis latch, hold and slightly tilt the handle, push the pan axis to move left or right until the pan axis can stay still in any position. Complete this step by tightening up the pan axis latch.



4. How to Use

Buttons Description



1. Power Button

- Press and hold: Power on/off
- Single press: Turn on/off the screen
- Double press: Sleep mode/wake mode for the stabilizer motor

2. Trigger Button

- Single press: Enable/disable SmartFollow (Need to mount TransMount Image Transmission Transmitter AI Version)
- Double press: Reposition
- Triple press: Selfie Mode

3. Joystick

- Control the stabilizer to rotate.

4. Indicator Lights

5. Control Wheel

- Can customize on the touch screen (Roll axis/ Aperture/ISO/Electronic Focus/Follow Focus Control)

6. Mode Switch

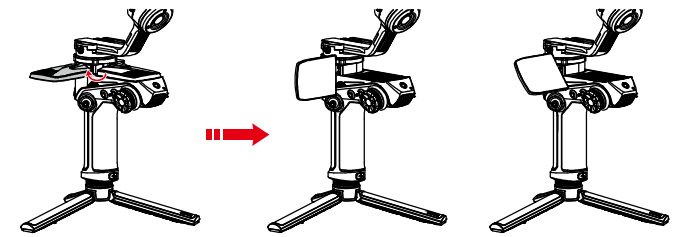
- Three modes to switch: Pan Follow Mode (PF)/ Follow Mode (L)/Lock Mode (F)

7. Photo/Video Button

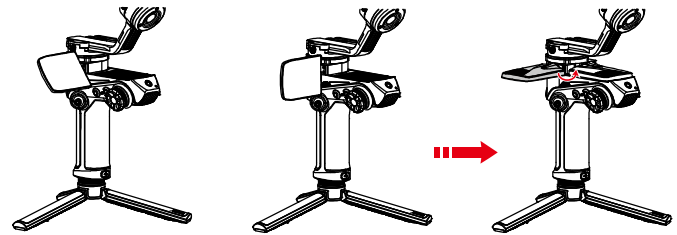
- Half press: Auto camera focus for some of the cameras
- Single press: Start/stop shooting video
- Press and hold: Take photo

How to Use the Touch Screen

Launch the touch screen before using it. Please rotate in the correct direction as shown in the image. The rotate angle for the touch screen is limited, please rotate it properly to avoid damaging the touch screen. Please retract the touch screen when you don't need to use it

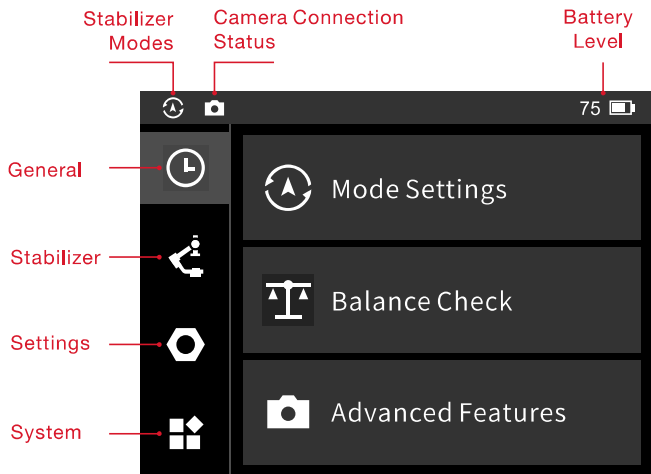


Launch



Retract

Touch Screen Menu Description



Main Page (Set as default)

General:

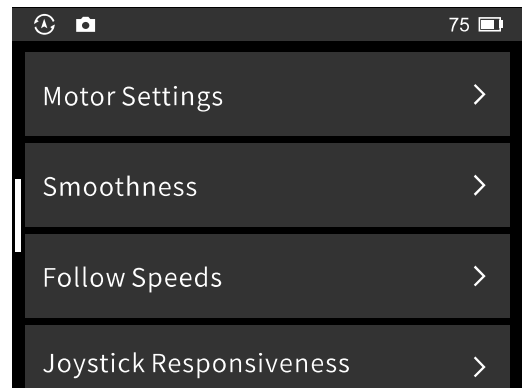
Mode Settings/Balance Check/Advanced Features

Stabilizer:

Parameter Settings/Auto Calibration/Parameter Reset

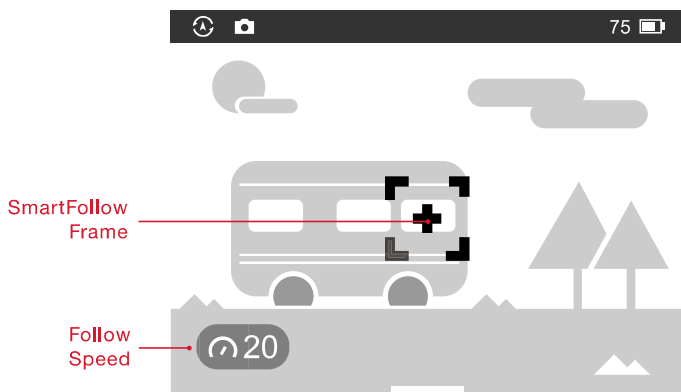
Settings: Control Wheel/Focus Motor/Fine-Tuning

System: Language/Device Information

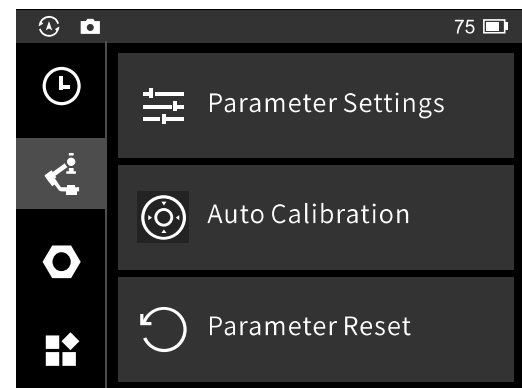


Swipe left at sub menu: Return to the previous menu

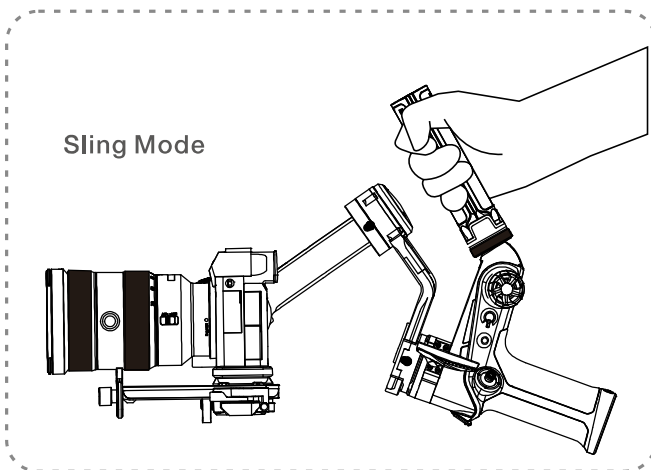
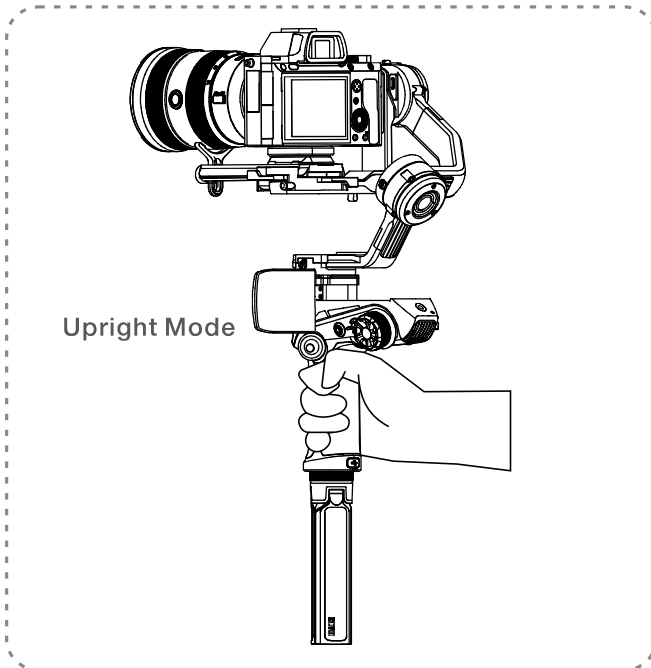
💡 After balancing WEEBILL 2, the motor torque needs to be adjusted for proper function. You may adjust the motor torque according to the weight of your camera and lens so that the WEEBILL 2 can be used in its ideal state. You can adjust it in "Auto Calibration" (Recommended) or "Parameter Settings". (When using "Auto Calibration", please make sure the stabilizer is straightly put on a flat surface. Please don't touch the stabilizer when in calibration. You can read the prompt on the touch screen for the progress of the calibration.)



Swipe down at the top of the screen: Image transmission interface (Need to mount TransMount Image Transmission Transmitter AI Version)



How to Grip



💡 When using the sling mode, please make sure to put the sling grip handle latch to the lock position.

5. More Features



Q ZY Play



Download ZY Play App



Read full-version
user guide



Watch video
tutorials

- 💡 1. When connected to the "ZY Play" App, Multiple features are available for WEEBILL 2 via the App such as firmware upgrade, virtual joystick, motion sensor control, long-distance camera footage monitoring, camera parameters adjustment and so on (After mounting the image transmission system).
2. Activation is required when connecting WEEBILL 2 to "ZY Play" for the first time. Following are the steps.
- ① Press and hold the power button to power on WEEBILL 2.
 - ② Turn on the Bluetooth on the phone.
 - ③ Open the ZY Play App on the phone, choose the WEEBILL 2 product page and connect with the Bluetooth of WEEBILL 2. Follow the prompts of the app to activate. Internet connection is required.
3. For more tutorials of WEEBILL 2, please scan the QR code or visit the official website of ZHIYUN (www.zhiyun-tech.com) for the user guide and video tutorials of WEEBILL 2.

Disclaimer and Warning

Thank you for purchasing WEEBILL 2. The information contains herein affects your safety, legitimate rights and obligation. Please read this instruction carefully to ensure proper configuration before use. Failure to read and follow this instruction and warnings herein may result in serious injury to you or bystanders, or damage to your device or property. Guilin Zhishen Information Technology Co., Ltd (hereinafter referred to as "ZHIYUN") reserves all rights for final explanation on this instruction and other documents related to WEEBILL 2. The information is subject to update without notice. Please visit www.zhiyun-tech.com to obtain the latest product information.

By using this product, you hereby signify that you have read this document carefully and that you understand and agree to abide by the terms and conditions herein. You agree that you are solely responsible for your own conduct while using this product, and for any consequences thereof. You agree to use this product only for purposes that are proper and in accordance with all terms, precautions, practices, policies and guidelines ZHIYUN has made and may make available.

ZHIYUN accepts no liability for damage, injury or any legal responsibility incurred directly or indirectly from the use of this product. Users shall observe safe and lawful practices including, but not limited to, those set forth herein.

ZHIYUN™, TransMount™ are the trademark of Guilin Zhishen Information Technology Co., Ltd and its affiliates. All product names or trademarks referred to herein are trademarks or registered trademarks of their respective holders.

Reading Tips

Legends:  Hints and Tips  Important

Warnings

Read the ENTIRE User Guide to become familiar with the features of this product before operating. Failure to operate the product correctly can result in damage to the product or personal property and cause serious injury. This is a sophisticated product. It must be operated with caution and common sense and requires some basic mechanical ability. Failure to operate this product in a safe and responsible manner could result in injury or damage to the product or other property. This product is not intended for use by children without direct adult supervision. DO NOT use with incompatible components or in any way otherwise as mentioned or instructed in the product documents provided by ZHIYUN. The safety guidelines herein

contain instructions for safety, operation and maintenance. It is essential to read and follow all of the instructions and warnings in the User Guide, prior to assembly, setup or use, in order to operate the product correctly and avoid damage or serious injury.

Safe Operation Guidelines

CAUTION:

1. WEEBILL 2 is a high-precision control device. Damage may be caused to WEEBILL 2 if dropped or subject to external force, and this may result in malfunction.
2. Make sure the rotation of the stabilizer axes is not blocked by external force when WEEBILL 2 is turned on.
3. WEEBILL 2 is not waterproof. Prevent contacts of any kind of liquid or cleaner with the WEEBILL 2. It is recommended to use dry cloth for cleaning.
4. Protect WEEBILL 2 from dust and sand during use.

WARNING

To avoid fire, serious injury, and property damage, observe the following safety guidelines when using, charging, or storing your batteries.

1. Prevent the batteries from coming into contact with any kind of liquid. Do not leave batteries out in the rain or near a source of moisture. Do not drop the battery into water. If the inside of the battery comes into contact with water, chemical decomposition may occur, potentially resulting in the battery catching on fire, and may even lead to an explosion.
2. If the battery catches fire, use sand or dry powder fire extinguisher immediately to put out the fire.
3. Never use non-ZHIYUN batteries. If replacement or backup is needed, please purchase new batteries from ZHIYUN's official website or authorized channels. ZHIYUN takes no responsibility for any damage caused by non-ZHIYUN batteries.
4. Never use or charge swollen, leaky, or damaged batteries. Never use or charge if the battery smells, or overheats (exceeding the maximum temperature of 160 °F/71 °C). If your batteries are abnormal, contact ZHIYUN or a ZHIYUN authorized dealer for further assistance.
5. The battery should be used within the temperature range from -10° C to 60° C. Use of battery in environments above 60° C may lead to a fire or explosion. Use of battery below -10° C may lead to serious battery damage.
6. Do not use the battery in strong electrostatic or electromagnetic environments. Otherwise, the battery protection board may malfunction.
7. Do not disassemble or use any sharp object to puncture the battery in any way. Otherwise, the battery may leak, catch fire or explode.
8. Do not mechanically strike, crush, or throw the battery. Do not place heavy objects on the battery or charger.

9. Electrolytes inside the battery are highly corrosive. In case of accidental contact of any electrolytes with your skin or eyes, rinse immediately with water for at least 15 minutes and seek medical advice as soon as possible.
10. Do not use the battery if it has been involved in a crash or heavy impact.
11. Do not heat the battery and never put the battery in a microwave oven or in a pressurized container.
12. Do not place the battery on a conductive surface (such as a metal desk surface, eye-glasses, watch, jewelry, etc.)
13. Prevent use of wires or other metal objects that could cause positive and negative short-circuit to the battery.

Battery Charging

1. Do not put the battery and charger near flammable materials or on flammable surfaces (such as carpet or wood). Never leave the battery unattended during charging to prevent any accident.
2. Please disconnect the battery and the charger when fully charged.
3. Do not charge the battery immediately after use, because the battery temperature may be too high. Do not charge the battery until it cools down to normal room temperature. Charging the battery with its temperature over 45° C or lower than 0° C may lead to leakage, overheating, or damage.

Battery Storage

1. Keep batteries out of the reach of children and pets.
2. Do not leave the battery near heat sources such as a furnace or heater, or inside of a vehicle on hot days. Never expose the battery in any environment with temperature of over 60° C. The ideal storage temperature is 22° C-28° C.
3. Store batteries in a dry environment.
4. Do not leave the battery unused for too long after it has been completely discharged to prevent over-discharge of battery which may result in battery damage and permanent failure.

Battery Maintenance

1. Do not over-charge or over-discharge the battery, which will damage the battery;
2. The battery performance will be affected for not being used for a long time;
3. Never use the battery when the temperature is too high or too low;
4. Do not store the battery in any environment with a temperature of over 60°C .
5. Recharge and discharge every 3 months to keep the battery active.

Battery Disposal

Please fully discharge the battery before putting it in the designated recycling bin. Batteries contain hazardous constituents and it is forbidden to put the battery in general waste bin. For related details please abide by the local laws and regulations on battery recycling and disposal.

Warranty Period

1. Customers are entitled to replacement or free repair service in case of quality deficits found in the product within 15 days upon receipt of the product.
2. Customers are entitled to free repair service from ZHIYUN for any product proven defective in material or workmanship that results in product failure during normal consumer usage and conditions within the valid warranty period, which is 12 months counting from the date of selling. However, warranty period varies by product component and country of purchase. Please contact our after-sales service team on the ZHIYUN official website or your place of purchase for detailed warranty information.

Warranty Exclusions

1. Products subjected to unauthorized repair, misuse, collision, neglect, mishandling, soaking, accident, and unauthorized alteration.
2. Products subjected to improper use or whose labels or security tags have been torn off or altered.
3. Products whose warranty has expired.
4. Products damaged due to force majeure, such as fire, flood, lightning, etc.

Warranty Claim Procedure

1. If failure or any problem occurs to your product after purchase, please contact a local agent for assistance, or you can always contact ZHIYUN's customer service through email at info@zhiyun-tech.com or website at www.zhiyun-tech.com.
2. Your local agent or ZHIYUN's customer service will guide you through the whole service procedure regarding any product issue or problem you have encountered. ZHIYUN reserves the right to reexamine damaged or returned products.



Quality Certificate

Tel: +86 400 900 6868
USA Hotline: +1 808-319-6137,9:00-18:00 GMT-7,Mon-Fri
Europe Hotline: +49 (0)6101 8132 180,10:00-17:00 GMT+1,Mon-Fri
Email: info@zhiyun-tech.com
Website: www.zhiyun-tech.com
Address: 09 Huangtong Road, Tieshan Industrial Zone, Qixing
District, Guilin, 541004, Guangxi, China

Please download the latest version from www.zhiyun-tech.com
This document is subject to change without notice.
ZHIYUN™, TransMount™ are the trademarks of Guilin Zhishen
Information Technology Co., Ltd. (hereinafter referred to as
"ZHIYUN" or "ZHIYUN TECH") and its affiliates.
Copyright © 2021 ZHISHEN. All rights reserved.



If at any time in the future you should need to dispose of this product please note that: Waste electrical products should not be disposed of with household waste. Please recycle where facilities exist. Check with your Local Authority or retailer for recycling advice. (Waste Electrical and Electronic Equipment Directive)

FCC STATEMENT :

This device complies with Part 15 of the FCC Rules. Operation is subject to the following two conditions:

- (1) This device may not cause harmful interference, and
- (2) This device must accept any interference received, including interference that may cause undesired operation.

Warning: Changes or modifications not expressly approved by the party responsible for compliance could void the user's authority to operate the equipment.

NOTE: This equipment has been tested and found to comply with the limits for a Class B digital device, pursuant to Part 15 of the FCC Rules. These limits are designed to provide reasonable protection against harmful interference in a residential installation. This equipment generates uses and can radiate radio frequency energy and, if not installed and used in accordance with the instructions, may cause harmful interference to radio communications. However, there is no guarantee that interference will not occur in a particular installation. If this equipment

does cause harmful interference to radio or television reception, which can be determined by turning the equipment off and on, the user is encouraged to try to correct the interference by one or more of the following measures:

Reorient or relocate the receiving antenna.

Increase the separation between the equipment and receiver.

Connect the equipment into an outlet on a circuit different from that to which the receiver is connected.

Consult the dealer or an experienced radio/TV technician for help.

RF warning statement:

The device has been evaluated to meet general RF exposure requirement. The device can be used in portable exposure condition without restriction.