



ZHIYUN-v1.0.0

FCC ID:2A1HFZYCR113

# CRANE 2S

· EN - Quick start guide

# EN - Quick Start Guide

## 1. Ready

### 1. Download ZY Play

**⚠** Before using CRANE 2S, please scan the code to download ZY Play and activate the product. Specific steps seen on Page 10.  
(Android 5.0 above or iOS 9.0 above required).



### 2. About Complete User Guide

To protect the environment and reduce resource consumption, we now offer you a paper version of Quick Start Guide instead of complete User Guide. Before using this product, you can read the complete User Guide through following ways.

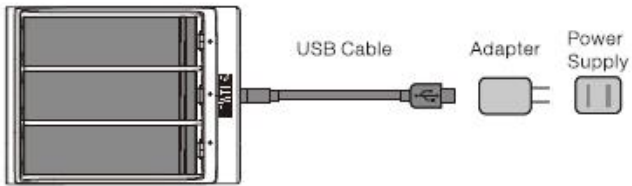


1. Scan the QR code on the right side by applying the mobile browser “scan code” function.
2. Click the “...” icon on the top right corner of the home page of the corresponding product in ZY Play.
3. Go to ZHIYUN official website: [www.zhiyun-tech.com](http://www.zhiyun-tech.com) for download.

**⚠** Please follow the steps below to learn the basic functions of CRANE 2S and read the complete User Guide carefully before using the product.

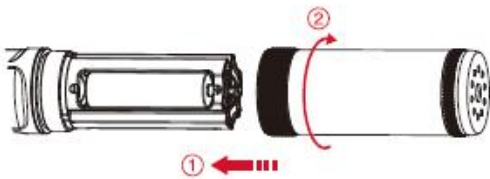
## 2. Charging

Charge the batteries with the charger (please be aware of the positive/negative end)



## 3. Installation

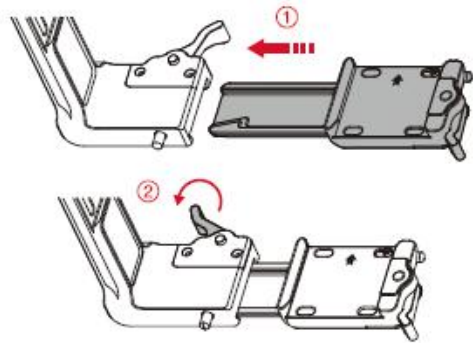
1. Insert the batteries in the right direction (positive/negative end).



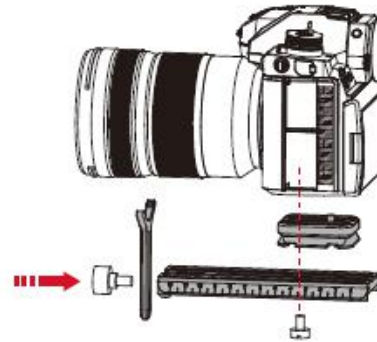
2. Install the tripod.



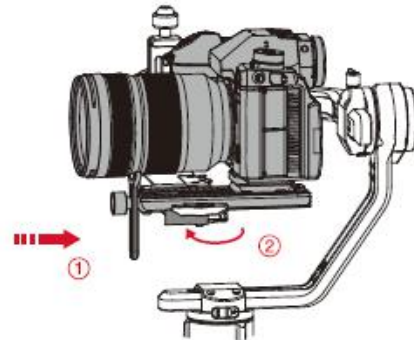
3. Install the quick release base plate.



4. Mount the camera on the quick release plate.

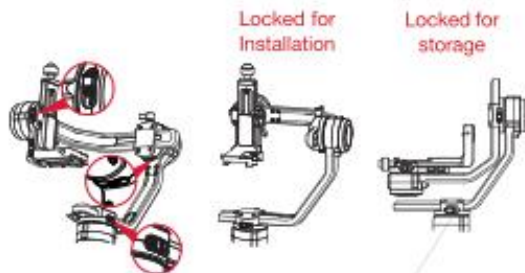


5. Install the quick release plate with camera onto the gimbal.

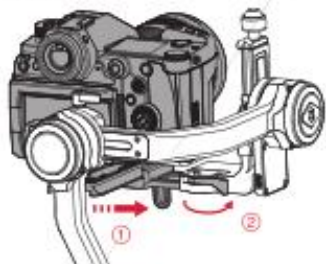


## 4. Balance and Adjustment

- ① Each axis of CRANE 2S is equipped with a latch. You can use these latches to lock the axes for convenient installation and storage. Before turning on the gimbal, please do unlock all three latches.



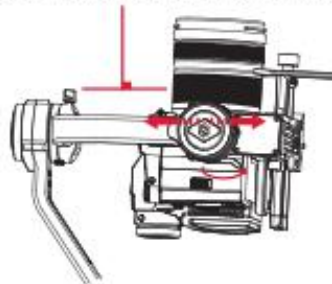
- ② Push camera towards the tilt axis motor to achieve best stability.



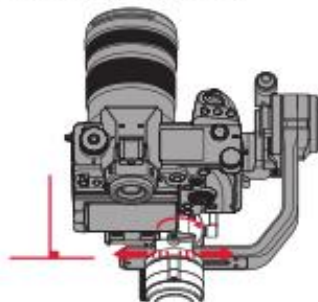
1. Unlock the tilt axis and Quick Release Plate Latch, push the camera to move forward or backward until the camera can stay still and almost level with its lens facing front (as shown below). Complete this step by tightening up Quick Release Plate Latch.



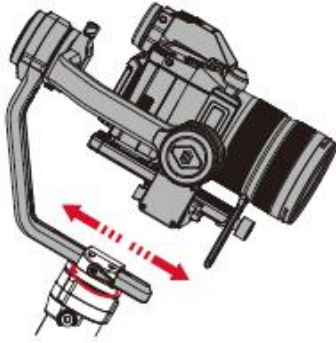
2. Make the lens face up, slightly loosen the thumb screw of the tilt axis, and push the camera to move upward or downward until the camera can stay still with the lens facing up. Complete this step by tightening up the thumb screw.



3. Unlock the roll axis, and slightly loosen the roll axis thumb screw under the quick release plate, push the camera to move left or right until the camera can stay still and horizontal to the ground.

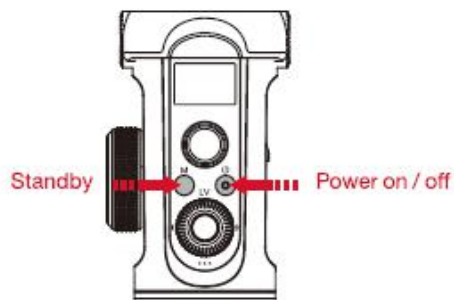


4. Unlock the pan axis, slightly loosen the thumb screw on it, then adjust the pan axis until it stays still and horizontal to the ground. Complete this step by tightening up thumb screw.



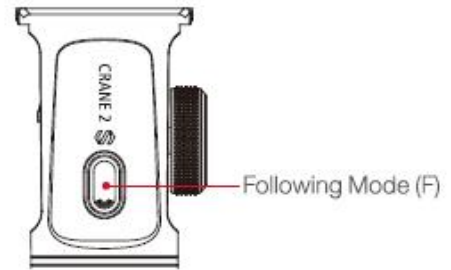
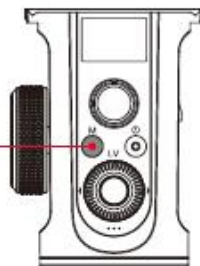
## 5. How to Use

1. Press power button for three seconds to turn on or off CRANE 2S.
2. Long press M button to enter or exit standby mode.



### 3. Basic Operation

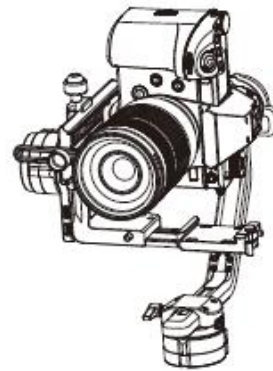
- { Pan Following Mode (PF)
- { Locking Mode (L)
- { Point of View Mode (POV)
- { Vortex Mode (V)
- Go Mode (GO)



💡 You can mount the camera onto the tilt axis to switch to vertical shooting. For the balance and adjustment please refer to above steps.



Mount the camera horizontally



Mount the camera vertically

## 6. Connecting ZY Play

### Connect with ZY Play APP and activate CRANE 2S

- ① Power on CRANE 2S and turn on Bluetooth.
- ② Open ZY Play APP, and select the product page of CRANE 2S. Tap "connect now" and connect the Bluetooth of CRANE 2S (the Bluetooth name of CRANE 2S can be found on the label USER ID: XXXX on tilt axis)
- ③ For the first time use, you have to activate CRANE 2S via ZY Play APP otherwise the motors will not work. Activation requires account registration or login in ZY Play APP.
- ④ After activation, the motors will start working normally.



zhiyun-tech.com

Scan the QR code below to know more about the product information.



Official website



Facebook  
(Zhiyun Tech)



Facebook  
(Zhiyun Support)



Instagram



YouTube

## Disclaimer and Warning

Thank you for using CRANE 2S. The information contains herein affects your safety and your legal rights and responsibilities. Read this online document carefully to ensure proper configuration before use. Failure to read and follow the instructions and warnings herein may result in serious injury to you or bystanders, or damage to CRANE 2S or property. ZHIYUN reserves the right of final explanation for this document and all relevant documents relating to CRANE 2S, and the right to make changes at any time without notice. Please visit [www.zhiyun-tech.com](http://www.zhiyun-tech.com) for the latest product information.

By using this product, you hereby signify that you have read this document carefully and that you understand and agree to abide by the terms and conditions herein. You agree that you are solely responsible for your own conduct while using this product, and for any consequences thereof. You agree to use this product only for purposes that are proper and in accordance with all terms, precautions, practices, policies and guidelines ZHIYUN has made and may make available.

ZHIYUN™ accepts no liability for damage, injury or any legal responsibility incurred directly or indirectly from the use of this product. Users shall observe safe and lawful practices including, but not limited to, those set forth herein.

ZHIYUN™ is the trademark of Gullin Zhishen Information Technology Co., Ltd. (hereinafter referred to as "ZHIYUN" or "ZHIYUN TECH") and its affiliates. All product names or marks referred to hereunder are trademarks or registered trademarks of their respective holders.

## Reading Tip

Symbol Description: Operation and Use Tips Important Notes

Data charges may occur when you scan QR code to read or download the electronic user manual online, so you should better process under WIFI environment.

Note: Please add magnet ring on the Camera Control Line and Focus Control Line when use CRANE 2S.

## Warning

Read the ENTIRE User Guide to become familiar with the features of this product before operating. Failure to operate the product correctly can result in damage to the product or personal property and cause serious injury. This is a sophisticated product. It must be operated with caution and common sense and requires some basic mechanical ability. Failure to operate this product in a safe and responsible manner could result in injury or damage to the product or other property. This product is not intended for use by children without direct adult supervision. DO NOT use with incompatible components or in any way otherwise as mentioned or instructed in the product documents provided by ZHIYUN. The safety guidelines herein contain instructions for safety, operation and maintenance. It is essential to read and follow all of the instructions and warnings in the User Guide, prior to assembly, setup or use, in order to operate the product correctly and avoid damage or serious injury.

## Safe Operation Guidelines

### CAUTION

1. CRANE 2S is a high-precision control device. Damage may be caused to CRANE 2S if it is dropped or subject to external force, and this may result in malfunction.
2. Make sure the rotation of the gimbal axes is not blocked by external force when CRANE 2S is turned on.
3. CRANE 2S is not waterproof. Prevent contacts of any kind of liquid or cleaner with CRANE 2S. It is recommended to use dry soft cloth for cleaning.
4. Protect CRANE 2S from dust and sand during use.

### Warning

To avoid fire, serious injury, and property damage, observe the following safety guidelines when using, charging, or storing your batteries.

### Battery Use

1. Prevent the batteries to come into contact with any kind of liquid. Do not leave batteries out in the rain or near a source of moisture. Do not drop the battery into water. If the inside of the battery comes into contact with water, chemical decomposition may occur, potentially resulting in the battery catching on fire, and may even lead to an explosion.
2. If the battery falls into water with the stabilizer during use, take it out immediately and put it in a safe and open area. Maintain a safe distance from the battery until it is completely dry. Never use the battery again, and dispose of the battery properly as described in the Battery Disposal section below.
3. If the battery catches fire, use water, water spray, sand, fire blanket, dry powder, or carbon dioxide fire extinguisher immediately to put out the fire. Battery-caused fire may lead to explosion. Please extinct the fire by applying the methods recommended above according to the actual situation.
4. Never use non-ZHIYUN batteries. If replacement or backup is needed, please purchase new batteries from ZHIYUN's official website or authorized channels. ZHIYUN takes no responsibility for any damage caused by non-ZHIYUN batteries.
5. Never use or charge swollen, leaky, or damaged batteries. Never use or charge if the battery smells, or overheats (exceeding maximum temperature of 160°F/71°C). If your batteries are abnormal, contact ZHIYUN or a ZHIYUN authorized dealer for further assistance.

6. The battery should be used within the temperature range from -10° C to 60° C. Use of battery in environments above 60° C may lead to a fire or explosion. Use of battery below -10° C may lead to serious battery damage.
7. Do not use the battery in strong electrostatic or electromagnetic environments. Otherwise, the battery protection board may malfunction.
8. Do not disassemble or use any sharp object to puncture the battery in any way. Otherwise, the battery may leak, catch fire or explode.
9. Do not mechanically strike, crush, or throw the battery. Do not place heavy objects on the battery or charger.
10. Electrolytes inside the battery are highly corrosive. In case of accidental contact of any electrolytes with your skin or eyes, rinse immediately with water for at least 15 minutes and seek medical advice as soon as possible.
11. Do not use the battery if it has been involved in a crash or heavy impact.
12. Do not heat the battery and never put the battery in a microwave oven or in a pressurized container.
13. Do not place the battery on a conductive surface (such as a metal desk surface, eye-glasses, watch, jewelry, etc.)
14. Prevent use of wires or other metal objects that could cause positive and negative short-circuit to the battery.
15. If the battery terminal is dirty, wipe it with a clean, dry cloth. Otherwise it will cause a bad battery connection, which may result in energy loss or charging failure.

### Battery Charging

1. The battery will automatically stop charging once it is full. Please disconnect the battery and the charger when fully charged.
2. Do not attach the batteries to a wall outlet or car charger socket directly. Always use a ZHIYUN approved adapter for charging. ZHIYUN takes no responsibility if the battery is charged using a non-ZHIYUN charger.
3. Do not put the battery and charger near flammable materials or on flammable surfaces (such as carpet or wood). Never leave the battery unattended during charging to prevent any accident.
4. Do not charge the battery immediately after use, because the battery temperature may be too high. Do not charge the battery until it cools down to normal room temperature. Charging the battery with its temperature over 45°C or lower than 0°C may lead to leakage, overheating, or damage.
5. Examine the charger before use, make sure there is no damage to the enclosure, cord, plug, or other parts. Never use a damaged charger. Do not clean the charger with any liquid containing alcohol or other flammable solvents. Disconnect the charger when not in use."

### Battery Storage

1. Keep batteries out of the reach of children and pets.
2. Do not leave the battery near heat sources such as a furnace or heater, or inside of a vehicle on hot days. Never expose the battery in any environment with temperature of over 60°C. The ideal storage temperature is 22°C-28°C.
3. Store batteries in a dry environment.
4. Do not leave the battery unused for too long after it has been completely discharged to prevent over-discharge of battery which may result in battery damage and permanent failure.

### Battery Maintenance

1. Do not over-charge or over-discharge the battery, which will damage the battery;
2. The battery performance will be affected for not being used for a long time;
3. Never use the battery when the temperature is too high or too low;
4. Do not store the battery in any environment with a temperature of over 60°C.

### Battery Disposal

1. Please fully discharge the battery before putting it in the designated recycling bin. Improper disposal of batteries may be hazardous. It is forbidden to put the battery in general waste bin. For related details please abide by the local laws and regulations on battery recycling and disposal.
2. If the battery cannot be fully discharged, never put it in battery recycling bin. Please contact battery recycling companies for a proper solution.

## Warranty Period

1. Customers are entitled to replacement or free repair service in case of quality defect(s) found in the product within 15 days upon receipt of the product.
2. Customers are entitled to free repair service from ZHIYUN for any product proven defective in material or workmanship that results in product failure during normal consumer usage and conditions within the valid warranty period, which is 12 months counting from the date of selling. However, warranty period varies by product component and country of purchase. Please contact our after-sales service team on ZHIYUN official website or your place of purchase for detailed warranty information.

## This warranty does not apply to the followings

1. Products subjected to unauthorized repair, misuse, collision, neglect, mishandling, soaking, accident, and unauthorized alteration.
2. Products subjected to improper use or whose labels or security tags have been torn off or altered.
3. Products whose warranty has expired.
4. Products damaged due to force majeure, such as fire, flood, lightning, etc.

## Warranty Claim Procedure

1. If failure or any problem occurs to your product after purchase, please contact a local agent for assistant, or you can always contact ZHIYUN's customer service through email at [service@zhiyun-tech.com](mailto:service@zhiyun-tech.com) or website at [www.zhiyun-tech.com](http://www.zhiyun-tech.com).
2. Your local agent or ZHIYUN's customer service will guide you through the whole service procedure regarding any product issue or problem you have encountered. ZHIYUN reserves the right to reexamine damaged or returned products.

### Quality Certificate

Please download the latest version from [www.zhiyun-tech.com](http://www.zhiyun-tech.com)  
Non-ZHIYUN product names and brands in this document may be trademarks or registered trademarks of their companies.  
This document is subject to change without notice.  
ZHIYUN™ is a trademark of ZHISHEN.  
Copyright © 2020 ZHISHEN. All rights reserved.

Tel: +86 400 900 6868

USA Hotline: +1 808-319-6137, 9:00-18:00 GMT-7, Mon-Fri

Europe Hotline: +49 (0)6101 8132 180, 10:00-17:00 GMT+1, Mon-Fri

Email: [service@zhiyun-tech.com](mailto:service@zhiyun-tech.com)

Website: [www.zhiyun-tech.com](http://www.zhiyun-tech.com)

Address: 09 Huangtong Road, Tieshan Industrial Zone, Qixing District, Guilin, 541004, Guangxi, China



If at any time in the future you should need to dispose of this product please note that: Waste electrical products should not be disposed of with household waste. Please recycle where facilities exist. Check with your Local Authority or retailer for recycling advice. (Waste Electrical and Electronic Equipment Directive)

Read EU Declaration of Conformity on User Guide on our official website at [www.zhiyun-tech.com](http://www.zhiyun-tech.com).

## FCC Caution.

This device complies with part 15 of the FCC Rules. Operation is subject to the following two conditions: (1) This device may not cause harmful interference, and (2) this device must accept any interference received, including interference that may cause undesired operation.

NOTE: The manufacturer is not responsible for any radio or TV interference caused by unauthorized modifications or changes to this equipment. Such modifications or changes could void the user's authority to operate the equipment.

The device has been evaluated to meet general RF exposure requirement, The device can be used in portable exposure condition without restriction Federal Communication Commission (FCC) Radiation Exposure Statement Power is so low that no RF exposure calculation is needed.

Note: This equipment has been tested and found to comply with the limits for a Class B digital device, pursuant to part 15 of the FCC Rules. These limits are designed to provide reasonable protection against harmful interference in a residential installation. This equipment generates uses and can radiate radio frequency energy and, if not installed and used in accordance with the instructions, may cause harmful interference to radio communications. However, there is no guarantee that interference will not occur in a particular installation. If this equipment does cause harmful interference to radio or television reception, which can be determined by turning the equipment off and on, the user is encouraged to try to correct the interference by one or more of the following measures:

- Reorient or relocate the receiving antenna.
- Increase the separation between the equipment and receiver.
- Connect the equipment into an outlet on a circuit different from that to which the receiver is connected.
- Consult the dealer or an experienced radio/TV technician for help.