

# **User manual**

**Product brand: TIREBULL**

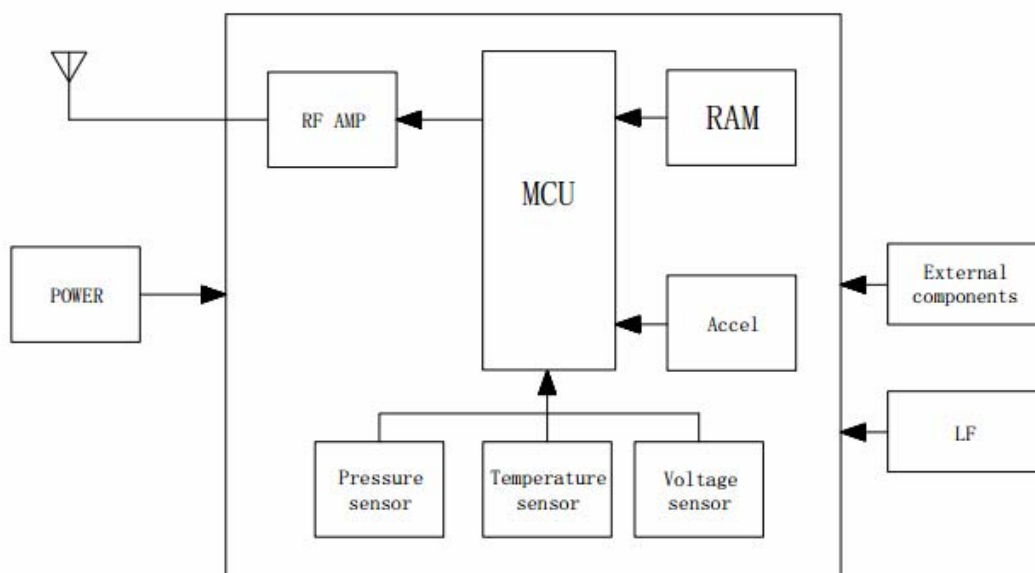
**Product name: External sensor**

**Product model: C05WB**

## Notice

1. Read this manual before installing this product, so as not to install the system can not work properly.
2. This product can prevent the tire burst, but could not eliminate the explode accident.
3. Do not force the sensor, so as not to damage the internal circuit.
4. When the tire pressure and temperature anomalies, the system can send out the alarm through the receiver, the user does not need to observe the system display, so as not to affect the safety of driving.

## Brief introduction of working principle



The pressure, temperature, acceleration sensor set the internal pressure and temperature sensor, used for real-time detection of the tire, after the MCU treatment, modulation amplification, and then after the external antenna to send out the signal, the receiver receives the signal, the tire pressure real-time display of information on the screen to achieve tire pressure monitoring.

## Installation instructions



Prepare sensor, nuts, tools      Tight nut clockwise



Tightening sensor



With the tools of lock nut, and ensure close to the sensor

### Remarks:

1. According to the sensor calibration position to install the corresponding tire
2. The sensor is installed, please check the tires if there is leakage, need to use soap gas nozzle check.

### Sensor activation

No.	Item	Parameters
1	Battery type	CR1632(140mAh)
2	Standby current	< 0.7uA
3	Pressure measuring range	0~8Bar
4	Temperature measurement range	-30℃~85℃
5	Operating temperature range	-20℃~60℃
6	Storage temperature range	-20℃~60℃ (advice storage at room temperature)
7	Battery life	More than 1 years

## **FCC Statement**

Changes or modifications not expressly approved by the party responsible for compliance could void the user's authority to operate the equipment.

This equipment has been tested and found to comply with the limits for a Class B digital device, pursuant to Part 15 of the FCC Rules. These limits are designed to provide reasonable protection against harmful interference in a residential installation. This equipment generates uses and can radiate radio frequency energy and, if not installed and used in accordance with the

instructions, may cause harmful interference to radio communications. However, there is no guarantee that interference will not occur in a particular installation. If this equipment does cause harmful interference to radio or television reception, which can be determined by turning the equipment off and on, the user is encouraged to try to correct the interference by one or more of the following measures:

- Reorient or relocate the receiving antenna.
- Increase the separation between the equipment and receiver.
- Connect the equipment into an outlet on a circuit different from that to which the receiver is connected.
- Consult the dealer or an experienced radio/TV technician for help

This device complies with part 15 of the FCC rules. Operation is subject to the following two conditions (1) this device may not cause harmful interference, and (2) this device must accept any interference received, including interference that may cause undesired operation.