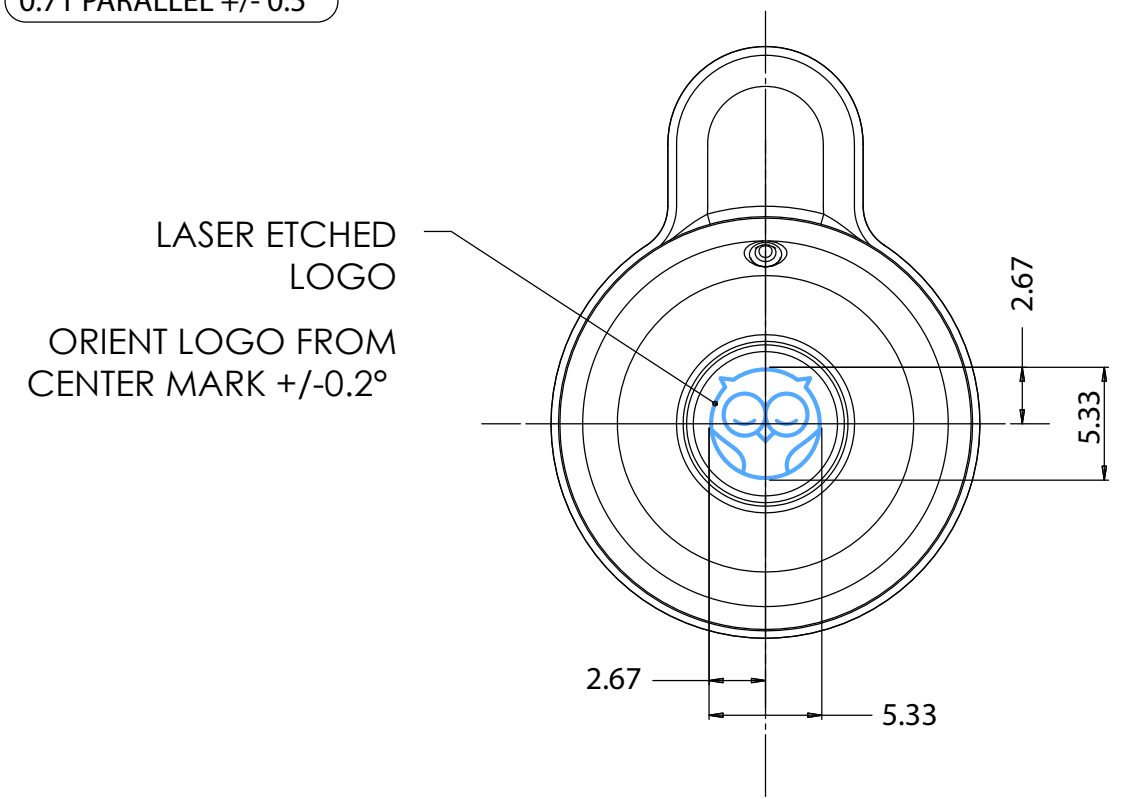
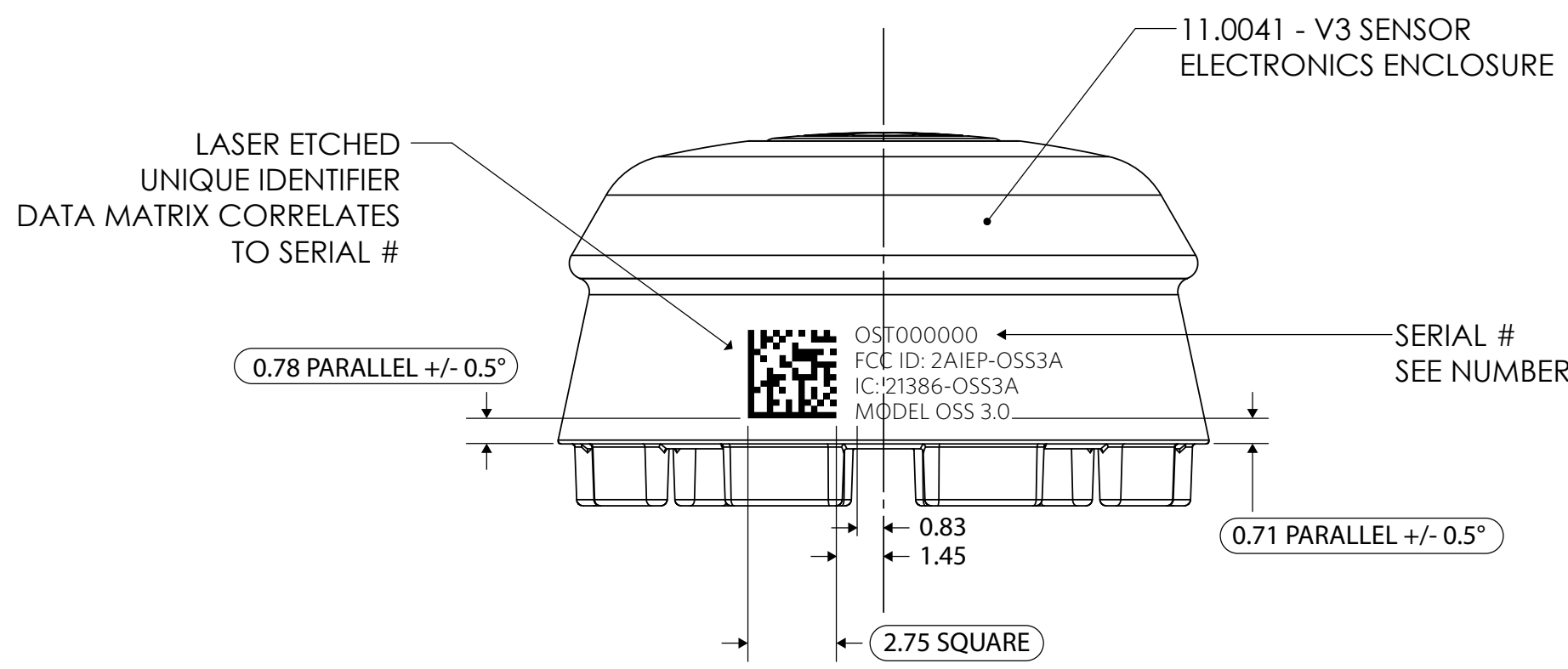
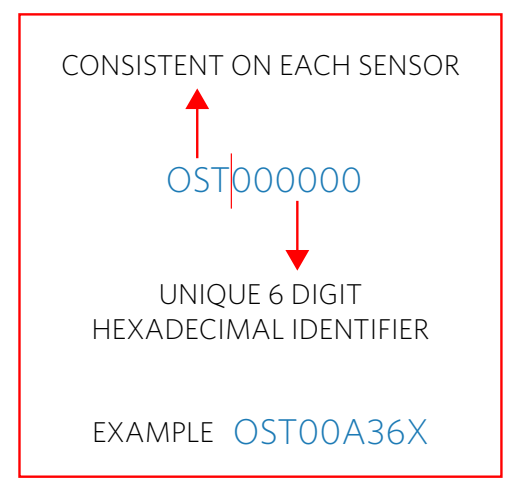


REVISIONS		
REV.	DESCRIPTION	DATE
01	INITIAL RELEASE	
02	CORRECTED TYPO ON IC ID	




SERIAL #
NUMBERING CONVENTION



LISTED DIMENSIONS WILL CONFORM WITH THE FOLLOWING TOLERANCES (UNLESS OTHERWISE NOTED):

0 = ± 2
0.0 = ± 1.0
0.00 = ± 0.50
0 DEG = ± 3 DEG
(0.0) = REFERENCE

	ALL DIMENSIONS ARE IN MILLIMETERS UNLESS OTHERWISE NOTED		OWLET BABY CARE	
	MATERIAL	N/A	DESCRIPTION V3 SENSOR REGULATORY & LOGO	
	COLORS	N/A	PART NUMBER 19.0002	
	FINISH	LASER ETCHED	SCALE: DNS	
CERTIFICATE OF CONFORMANCE TO INCLUDE PART NUMBER, REVISION, SUPPLIER LOT NUMBER, QUANTITY, AND MATERIAL		ALL DIMENSIONS ARE EXPECTED TO MATCH CAD WITHIN ± 4 UNLESS OTHERWISE SPECIFIED		SHEET 1 OF 1
				A3



