

Migear International Group LLC
Address: 34 West 33rd Street Suite 1007 New York, NY 10001
Tel: 646-680-6786
Fax: 646-756-4218
E-mail: davidb@migearintl.com

Date: 2021-4-22

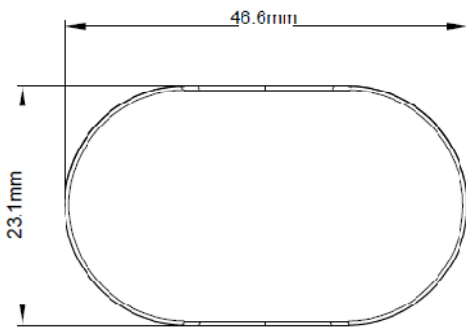
To
FEDERAL COMMUNICATIONS COMMISSION
Authorization and Evaluation Division
7435 Oakland Mills Road
Columbia, MD 21046

Dear Sir/Madam,

We, Migear International Group LLC, FCC ID: 2AIDL-TWS155, hereby submits justification for placing the FCC ID label to the charging box. According to the FCC Regulation and Guidance (KDB Publication 784748 D01 v09R01) allows for the FCC ID to be removed to charging box if the device is unquestionably too small for the FCC ID label to be printed.

The measurement of headset: charging box:46.6(mm)*23.1 (mm).Refer to the above quote, as the headset are too small for the FCC ID label to be printed, so the FCC ID label will be moved to the charging box. For details, please see below photos:

Charging box



Lable:



Sincerely,

A handwritten signature in black ink, appearing to read "David Betesh".

Name: David Betesh

Title: President