



**360 DEGREE LED
TRANSLUCENT SPEAKER
MODEL: BX878S
USER MANUAL**

IMPORTANT SAFETY INFORMATION

1. Read all instructions before using this product.
2. Do not leave this product unattended while connected to the power supply.
3. Do not immerse in water or any other liquids.
4. Do not use if unit has been dropped or damaged in any way.
5. Improper repairs may place user at serious risk.
6. Repairs to electrical equipment should only be performed by qualified personnel.
Place unit on sound, even surface, free of vibrations and away from sources of heat.
7. Do not put objects into openings.
8. Do not use this unit for anything other than its intended use.
9. Keep this product out of reach of children.
10. This product is not a toy.

Do not play music at excessive levels especially near children, as damage to hearing may occur.

Getting Started

Remove the unit from the box. Remove any packaging from the product.

Please retain all packaging until you have checked and counted all the parts and the contents against the parts list.

ACCESSORIES:

Portable Wireless Speaker 1 pc
Stand 1 pc
Charging cable: 1 pc
Audio cable: 1 pc
User manual: 1 pc
Warranty Card: 1 pc

FEATURES:

Wireless connectivity
Colorful light FX
Support USB/TF card
FM Radio
AUX-in /MIC-in Function
Rechargeable Lithium battery

HOW TO CONNECT BLUETOOTH:

Turn on the speaker unit and the Bluetooth switch on your mobile or other device and search for the speaker model name "**FISHER-BX878**" and Pair the device. Once device is paired it will automatically connect when unit is turned on subsequently.

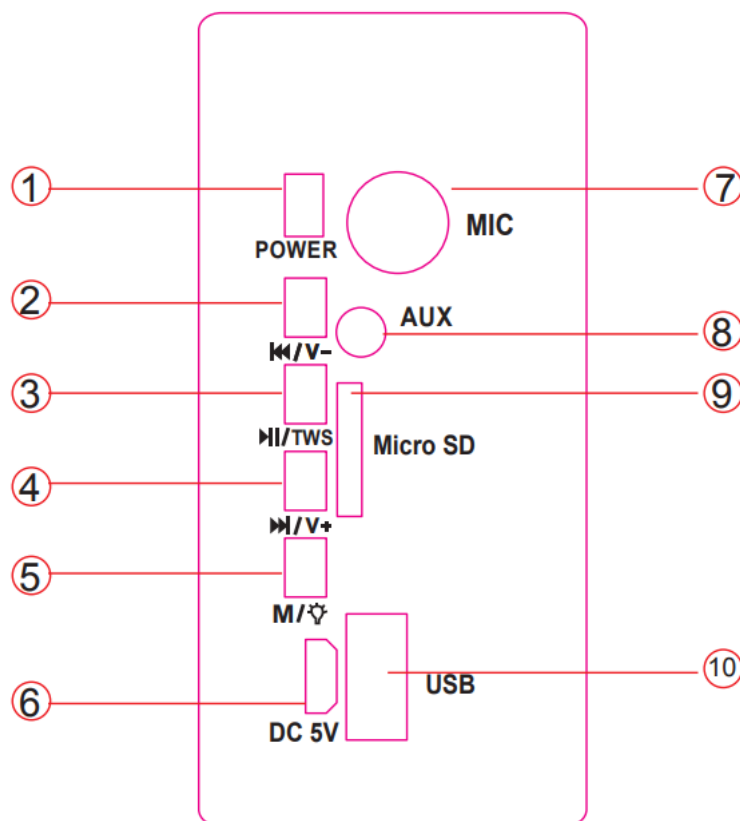
CHARGING:

Plug the USB cable into the speaker's charging port and connect to the power source. The red LED indicator on panel will on always when the unit is charging. And will be off once fully charged.

TRUE WIRELESS STEREO FUNCTION:

If have 2 units for BX878 speaker. Turn on both units, and long press "▶||" button ,you will hear **BEEP** sound and units will connect with each other automatically . Long press "▶||" button again to cancel TWS connecting.
Note: True wireless stereo function only .

PANEL FUNCTION:



Operation:

- ① Power ON/OFF
- ② Short press: Previous song in USB/TF/BT mode or previous channel in FM mode;
Long press : Decrease volume in USB/TF/BT mode or semi-automatic search in FM mode.
- ③ Short press to PLAY/ PAUSE .
Long press : TWS function in BT mode and searching channel in FM mode
- ④ Short press: Next song in USB/TF/BT mode or Next channel in FM mode
Long press : Increase volume in USB/TF/BT mode or semi-automatic search in FM mode
- ⑤ Short press to switch Bluetooth, USB, TF, AUX and FM modes;
Long press to change light modes and turn ON/OFF light.
- ⑥ DC 5V charging port
- ⑦ Microphone Input
- ⑧ AUX Input
- ⑨ Micro SD
- ⑩ USB Driver

SPECIFICATIONS:

Bluetooth Version	5.0
Wireless range	32.8 ft
Output power	10 Watt
Frequency response	100Hz-20KHz
Battery	3.7V,1800mAh
Play back time	2-3 hours (70% volume)
Full charge time	3-4 hours

FCC ID: 2AIDL-BX878S

FCC STATEMRNT

This device complies with Part 15 of the FCC Rules. Operation is subject to the following two conditions:

- (1) This device may not cause harmful interference, and
- (2) This device must accept any interference received, including interference that may cause undesired operation.

Warning: Changes or modifications not expressly approved by the party responsible for compliance could void the user's authority to operate the equipment.

Notes: This equipment has been tested and found to comply with the limits for a Class B digital device, pursuant to part 15 of the FCC Rules. These limits are designed to provide reasonable protection against harmful interference in a residential installation. This equipment generates, uses and can radiate radio frequency energy and, if not installed and used in accordance with the instructions, may cause harmful interference to radio communications. However, there is no guarantee that interference will not occur in a particular installation. If this equipment does cause harmful interference to radio or television reception, which can be determined by turning the equipment off and on, the user is encouraged to try to correct the interference by one or more of the following measures:

- Reorient or relocate the receiving antenna.
- Increase the separation between the equipment and receiver.
- Connect the equipment into an outlet on a circuit different from that to which the receiver is connected.
- Consult the dealer or an experienced radio/TV technician for help.

FCC Radiation Exposure Statement:

This equipment complies with FCC radiation exposure limits set forth for an uncontrolled environment. In order to avoid the possibility of exceeding the FCC radio frequency exposure limits, The device has been evaluated to meet general RF exposure requirement.

Migear International Group LLC,
21 W 38th Street, 14th Floor, NY, NY 10018 USA
TEL: 929-390-4504