

FM RADIO

Press ►|| to search FM channels automatically. This operation will scan all FM stations and Pre-record them to memory. The scan procedure will take several minutes and cannot be interrupted. Once completed, you can short press "◀" or "▶" button to move forward or backward.

KARAOKE

Insert the wired microphone cable into the MIC port.

CHARGING

Please use the charging cable into the port of the speaker. Red LED will be on when charging and turn off when fully charged

BATTERY DISPOSAL:

This product contains a lithium polymer battery. Lithium polymer batteries are environmentally safe when fully discharged. Please refer to your local and state laws for battery disposal procedures.



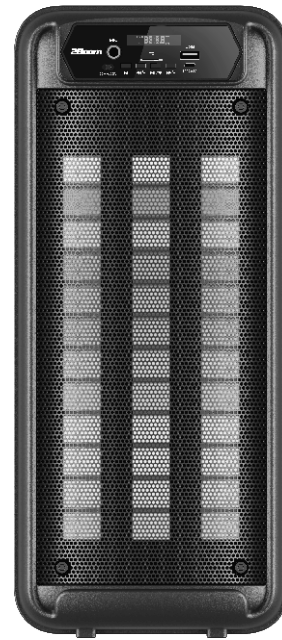
MiGear International Group LLC
21 W 38th Street, 14th Floor, New York, NY 10018

© 2024 MiGear International Group LLC. All rights reserved.

This device complies with part 15 of the FCC Rules. Operation is subject to the following two conditions: (1) This device may not cause harmful interference, and (2) this device must accept any interference received, including interference that may cause undesired operation.

WARNING: This product can expose you to chemicals including Diisononyl Phthalate(DINP) and Di(2-ethylhexyl) Phthalate(DEHP), which are known to the State of California to cause cancer, and Di-isodecyl Phthalate(DIDP) and Di(2-ethylhexyl) Phthalate(DEHP), which are known to the State of California to cause birth defects or other reproductive harm. For more information go to www.P65Warnings.ca.gov.

2Boom™



DUAL 4" LED EQUALIZER SPEAKER BX494K-FD

FEATURES

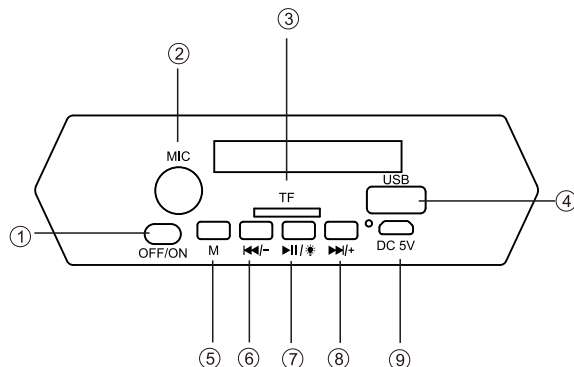
Wireless connectivity
Support USB/TF card
FM Radio
MIC-in Function
Rechargeable Lithium battery

ACCESSORIES

Charging cable: 1 pcs
User manual: 1 pcs
Warranty card : 1pcs

SPECIFICATIONS

Bluetooth version	V5.3+EDR
Charging voltage	5V
Driver unit size	4inchx2
Frequency	150Hz-18KHz
Output power	10Wx2
Battery capacity	3.7V,1800mAh
Charge time	4Hours
Distance	32.8ft
Sensitivity	≥80dB
Play back time	60 min(max.vol)



1. POWER ON/OFF/ : Turn on/off the machine.
2. MIC-IN: Microphone-in
3. TF slot: Play the Mp3 file from TF card
4. USB slot: Play the Mp3 file from USB
5. MODE : Short press to change to the different function, long press to make TWS
6. ◀/: Under FM/USB/TF/Bluetooth mode, short press to move to previous channel/track, Long press to decrease the volume
7. ►|| : Under USB/TF/Bluetooth mode, short press for play and pause; Under FM mode, Short press: station selection and frequency modulator alternation.
8. ▶/: Under FM/USB/TF/Bluetooth mode, short press to move to next channel/track, Long press to increase the volume
9. DC-5V: DC-5V USB charge port

HOW TO CONNECT BLUETOOTH

Turn on the speaker unit and the Bluetooth switch on your mobile or other device and search for the speaker model name "BX494K-FD" and Pair the device. Once device is paired it will automatically connect when unit is turned on subsequently. After pairing the device, it can play the music. Press "►||" button to Play/Pause. Short press "◀" or "▶" button to be previous track or next track.

How to use True wireless stereo function:

if people has 2pcs and both of them has TWS function. Then turn on both units, and press any pcs of the MODE button few seconds. then 2pcs unit will connect automatically.

Note: True wireless stereo function only work in Bluetooth mode.

USB/TF CARD

Insert the U flash memory or Micro-TF card into the USB/TF slot, it will read the MP3 format music automatically. Press ►|| button to Play/Pause, press "◀" or "▶" button to previous track and next track.

说明书尺寸: 110*140mm, 对折, 105g铜版纸单色双面印刷

FCC Warning:

This equipment has been tested and found to comply with the limits for a Class B digital device, pursuant to part 15 of the FCC Rules. These limits are designed to provide reasonable protection against harmful interference in a residential installation. This equipment generates, uses and can radiate radio frequency energy and, if not installed and used in accordance with the instructions, may cause harmful interference to radio communications. However, there is no guarantee that interference will not occur in a particular installation. If this equipment does cause harmful interference to radio or television reception, which can be determined by turning the equipment off and on, the user is encouraged to try to correct the interference by one or more of the following measures:

- Reorient or relocate the receiving antenna.
- Increase the separation between the equipment and receiver.
- Connect the equipment into an outlet on a circuit different from that to which the receiver is connected.
- Consult the dealer or an experienced radio/TV technician for help.

Caution: Any changes or modifications to this device not explicitly approved by manufacturer could void your authority to operate this equipment.

This device complies with part 15 of the FCC Rules. Operation is subject to the following two conditions:

(1) This device may not cause harmful interference, and (2) this device must accept any interference received, including interference that may cause undesired operation.

This equipment complies with FCC radiation exposure limits set forth for an uncontrolled environment. This equipment should be installed and operated with minimum distance 0cm between the radiator and your body.