

DOLPHIN®

2.2 CHANNELS BLUETOOTH SOUND BAR
WITH BUILT-IN SUBWOOFER

Model: SNB-1100S



User Manual

A compact yet powerful Bluetooth soundbar with sleek looks and excellent audio response. 6 built-in speakers and 2 bass air tube holes provide clarity across a broad frequency range, with crisp highs and deep bass. An integral USB port enables playback of media files directly from compatible media, with further flexible input options including Aux, optical, coaxial, HDMI(ARC) and Bluetooth. A convenient and cost-effective TV audio upgrade that doesn't compromise on performance.

- 6 speakers for crisp, clear sound with deep bass
- Built-in two woofers with heavy bass.
- Built-in 2.2 channel amplifier with 3 EQ presets
- Versatile input options to support a range of devices
- USB port for media playback
- Remote control and audio connection leads included

Matters Need Attention

1. Don't put this product under high temperature wet environment and it will be worse when it is in the rain or crash strongly.
2. To reduce the risk of electronic shock or fire, do not remove the cabinet cover simply contact a service professional.
3. In the case occurrence of malfunction, do not attempt to repair the unit on your own. Contact a certified service professional for a proper diagnosis and repair.
4. If fragments or liquids fall into device box, please cut off the power. And it can be used only after professional staff checks it.

5. Don't install the unit in or near a place where it may come in contact with rain, moisture or other liquids.

Technical Specifications and Features

Audio output: 130W RMS

Speaker drivers: 4 x 2.25" 15W units + 2 x 3.5" 35W Built-in subwoofer units

Frequency: 50Hz~20KHz

SNR: ≥ 75 dB

Bluetooth version: 5.3

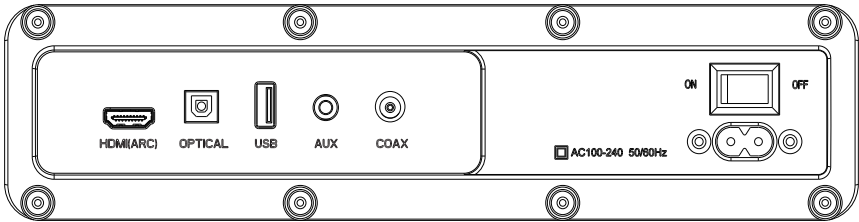
Bluetooth range: Up to 10m

Connections: USB 2.0, AUX in, Optical, Coaxial, HDMI(ARC), AC IN

Power supply: AC 100-240V

Dimensions: 975 x 158 x 75mm

Connections



1. USB IN: Use to connect a flash drive for direct media playback (FAT32 format and 128GB max).

2. OPTICAL IN: Use to connect compatible devices using an optical cable (not provided).

3. COAXIAL IN: Use to connect compatible devices using a coaxial cable (not provided).

4. HDMI(ARC): Use to connect compatible devices using a HDMI cable (not provided).

5. AUX IN: Use to connect compatible devices using the 3.5mm – 3.5mm stereo jack cable (provided).

6. AC IN: Use to connect the AC power supply.

7. ON/OFF: Use to turn on or turn off the device.

LED display

1. Red LED: Standby mode

2. bt: Bluetooth mode

3. USB: USB media mode

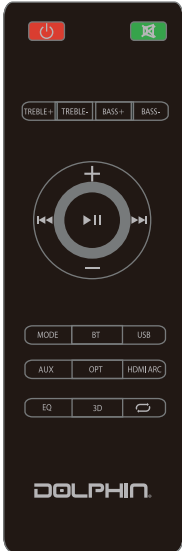
4. AUX: Auxiliary input mode

5. OPT: Optical mode

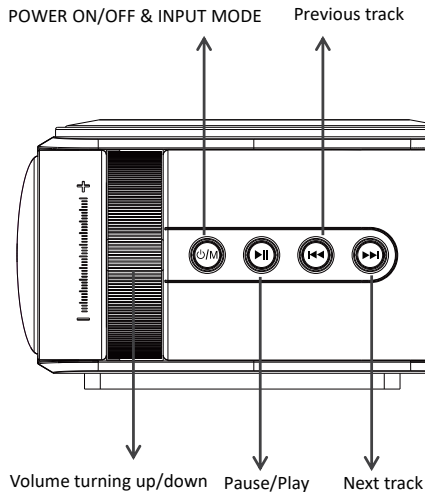
6. COA: Coaxial mode

7. ARC: HDMI(ARC)mode

Remote Control & Function Keys



Button	Function	Button	Function
	Power on/off	MODE	Shifting between BT/USB/AUX/OPTICAL/COAXIAL/HDMI(ARC)
	Mute or recover the volume	BT	Shifting into BT Mode, In BT mode,hold to enter pairing mode
TREBLE+	Increase the Treble	USB	Shifting into USB Mode
TREBLE-	Decrease the Treble	AUX	Shifting into AUX Mode
BASS +	Increase the Bass	OPT	Shifting into Optical in Mode
BASS-	Decrease the Bass	HDMI (ARC)	Shifting into HDMI(ARC) Mode
VOL+	Volume turning up	EQ	Shifting to different EQ
VOL-	Volume turning down	3D	3D Surround on/off
	Previous track		USB Repeat modes
	Pause/Play		
	Next track		



Input Functions

- **Power on/off:** Press the Power on/off button on the remote control or soundbar control panel to turn the unit on and off.

REMARK: When unit is idle for 3 minutes, the display will be auto turn off.

- **HDMI(ARC):** Connect an HDMI ARC compatible device to the HDMI(ARC) port on the soundbar using a HDMI cable (not supplied). Select HDMI(ARC) mode either by pressing the HDMI(ARC) button on your remote control or repeatedly pressing the MODE button on the soundbar control panel until ARC is displayed on the LED display. Ensure HDMI ARC is selected as the TV's audio output, then adjust the volume of soundbar using the Volume up and Volume down buttons on the remote control or soundbar control panel.

- **AUX in:** Connect a compatible device using the 3.5mm – 3.5mm stereo jack cable. Select AUX mode either by pressing the AUX button on your remote control or repeatedly pressing the MODE button on the soundbar control panel until AUX is displayed on the LED display. Ensure the connected device is producing an audio signal, then adjust the volume of soundbar using the Volume up and Volume down buttons on the remote control or soundbar control panel.

- **Optical in:** Connect a compatible device to the OPTICAL input on the soundbar using a digital optical cable (not supplied). Select OPT mode either by pressing the

OPT button on your remote control or repeatedly pressing the MODE button on the soundbar control panel until OPT is displayed on the LED display. Ensure Optical SPDIF is selected as the TV's audio output, then adjust the volume of the soundbar using the Volume up and Volume down buttons on the remote control or soundbar control panel.

- **Coaxial in:** Connect a compatible device to the COAXIAL input on the soundbar using a digital coaxial cable (not supplied). Select COAX mode by repeatedly pressing the MODE button on the soundbar control panel until COA is displayed on the LED display. Ensure Coaxial is selected as the TV's audio output, then adjust the volume of the soundbar using the Volume up and Volume down buttons on the remote control or soundbar control panel.

- **Bluetooth:** Short press the BT button on the remote control or repeatedly pressing the MODE button on the soundbar control panel until bt is shown on the LED display. The LED display will flash to indicate that the soundbar is in Bluetooth pairing mode. Ensure that the device you wish to connect is also in pairing mode and search for "SNB-1100S" in its device list. When the two devices are paired, the LED display on the soundbar will stop flashing and remain constant. (The soundbar will now automatically re-pair with this device whenever it is within range and has Bluetooth turned on.) Once paired, the remote control can be used to play, pause and navigate between tracks on compatible iOS and Android devices.

Note: Hold the BT button on the remote control to disconnect the Bluetooth connection between the phone and the soundbar; short press is shifting to BT mode.

- **USB media mode:** The soundbar is compatible with USB flash drives of up to 128GB in size and can play audio files directly. Simply insert a compatible drive into the USB port on the back of the soundbar and the unit will automatically switch to USB mode and play the first compatible track. The media controls on the remote control can be used to play, pause and navigate between tracks on the flash drive, and the LED display will indicate the current track time.

USB repeat mode (also accessed via the remote control) enables single track repeat (ONE), all track repeat (ALL)

The media player also has a memory function that will recall and continue from the last-played point when a USB flash drive that has previously been used with the soundbar is reinserted.

- **Equalizer modes:** The soundbar has 3 equalizer presets, tailored to complement various styles of music. Press the EQ button on the remote to choose between Music (EQ1), Movie (EQ2), News (EQ3).

This device complies with part 15 of the FCC Rules. Operation is subject to the following two conditions: (1) This device may not cause harmful interference, and (2) this device must accept any interference received, including interference that may cause undesired operation.

FCC warning:

Any Changes or modifications not expressly approved by the party responsible for compliance could void the user's authority to operate the equipment.

Note: This equipment has been tested and found to comply with the limits for a Class B digital device, pursuant to part 15 of the FCC Rules. These limits are designed to provide reasonable protection against harmful interference in a residential installation. This equipment generates uses and can radiate radio frequency energy and, if not installed and used in accordance with the instructions, may cause harmful interference to radio communications. However, there is no guarantee that interference will not occur in a particular installation. If this equipment does cause harmful interference to radio or television reception, which can be determined by turning the equipment off and on, the user is encouraged to try to correct the interference by one or more of the following measures:

- Reorient or relocate the receiving antenna.
- Increase the separation between the equipment and receiver.
- Connect the equipment into an outlet on a circuit different from that to which the receiver is connected.
- Consult the dealer or an experienced radio/TV technician for help.

This equipment complies with FCC radiation exposure limits set forth for an uncontrolled environment. This equipment should be installed and operated with minimum distance 20cm between the radiator & your body.