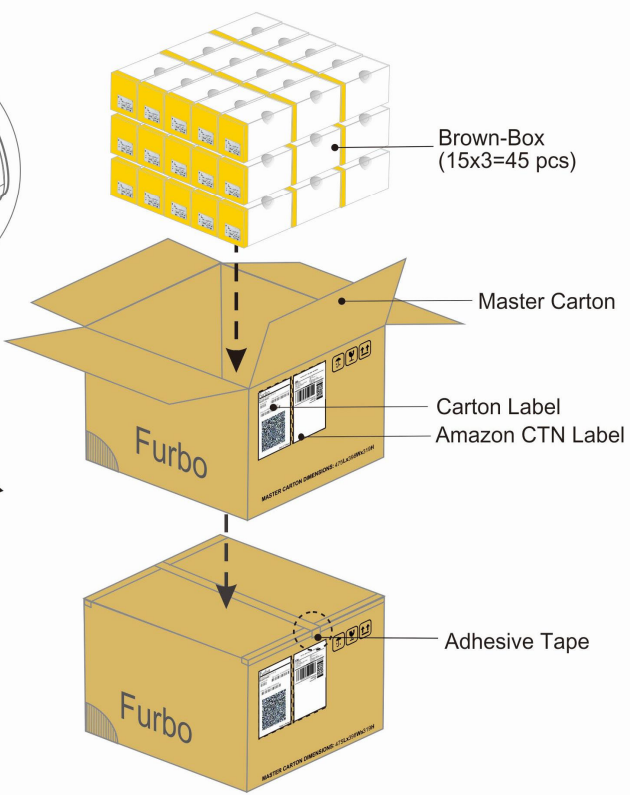
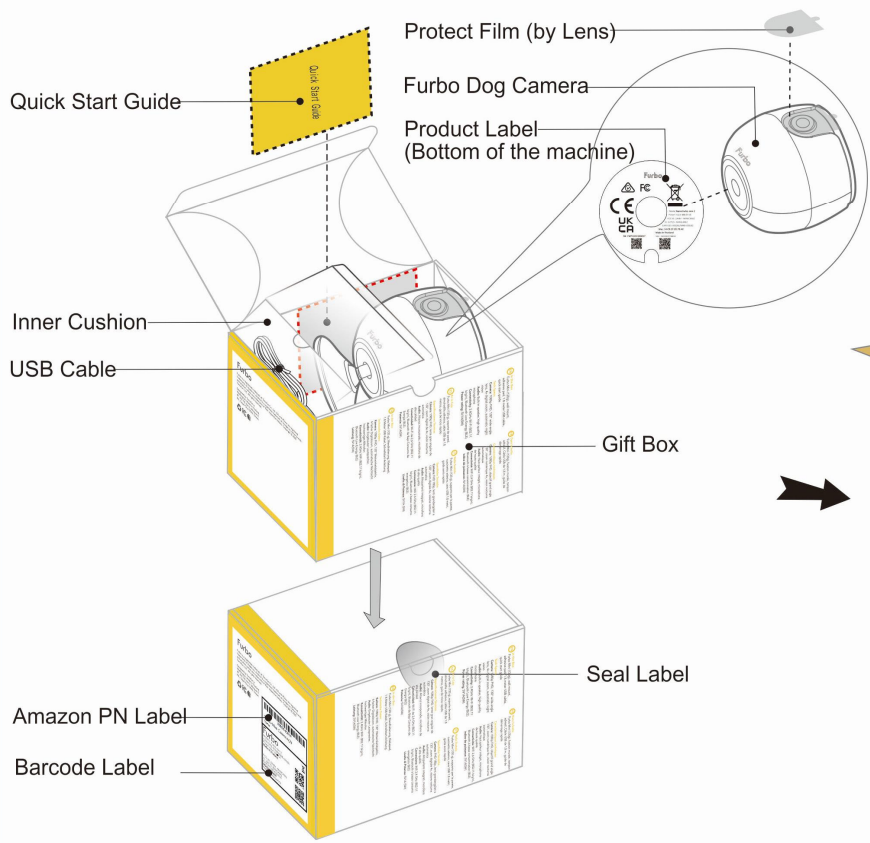


REV. 更改	DESCRIPTION 說明	ENG. 修改人	APPROVE. 審核

1 Gift Box package explode drawing

2 Carton package explode drawing



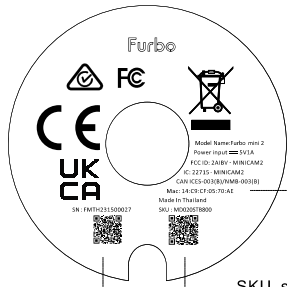
Requirement of PRIMAX Part:
 1. Comply with PRIMAX QW-5Q002 "Green Product Chemical Substances Specification"
 2. Follow customer's specification as required.
 3. Follow Halogen- Free requirement : Br<900 ppm, Cl<900 ppm, Br+Cl< 1500 ppm if required.

INTENDEN USE: 用途	PRIMAX 致伸科技股份有限公司 PRIMAX ELECTRONICS LTD.		
THESE DRAWINGS AND SPECIFICATIONS ARE THE PROPERTY OF PRIMAX ELECTRONICS LTD. AND SHALL NOT BE REPRODUCED COPIED OR USED IN ANY MANNER WITHOUT THE PRIOR WRITTEN CONSENT OF PRIMAX ELECTRONICS LTD.	TITLE: 名稱 Packing Drawing		
SCALE: 比例		CHKD. 校對	
APPD. 審核		DR. 製圖	
REV:	DWG NO. 圖號	1/3	

REV. 更改	DESCRIPTION 說明	ENG. 修改人	APPROVE. 審核



vendor printing



thermal printing

Mac address
Font:Calibri,2.5pt

SKU, see table A
Font:Calibri,2.5pt
Barcode type:QR CODE
Barcode content:MD020STB800
Barcode size:4*4mm

SN
Font:Calibri,2.5pt
Barcode type:QR CODE
Barcode content:FMTHYYVWSXXXX
Barcode size:4*4mm
SN rule ,see table A

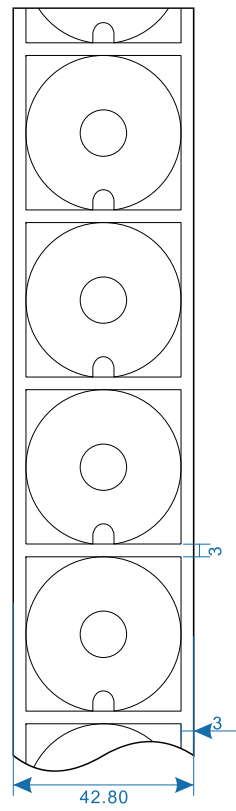
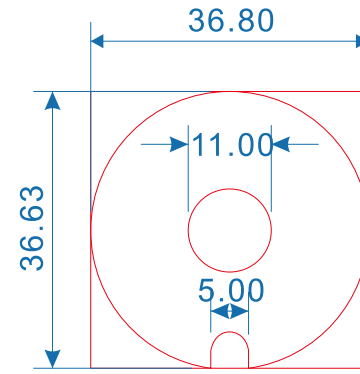


Table A

b h	t l Nub d r o S N	/ 2 d g r U N	Version	{ Y i	Tomofun PN	9! b	{ b w i [9					
							t 2 3 0	h n e y	Y Y	V W	{ Y i code	{ S N U b d r o S N
							Cl SR	Fixed	Year	Week	S	XXXX
1	12-91303TM01	US/CA	a 5 ö e ö { ç . y ö ö	é Y e ä Y y e e y ö ö ö ö	Ca	TH					A	
2	12-91303TM02	CA	MD020STB800	é Y e ä Y y e e y ö ö ö ö	Ca	TH	S i p				B	N i s ö ö
3	12-91303TM03	UK	MD020STB800	é Y e ä Y y e e y ö ö ö ö	Ca	TH	2023=2		S i p		C	alphanumeric
4	12-91303TM04	DE	MD020STB800	é Y e ä Y y e e y ö ö ö ö	Ca	TH	3,		01,		D	combinations(0~
5	12-91303TM05	EU	MD020STB800	é Y e ä Y y e e y ö ö ö ö	Ca	TH	2024=2		02.....		E	Z),remove"!",",O"
6	12-91303TM06	AU	MD020STB800	é Y e ä Y y e e y ö ö ö ö	Ca	TH	4.....				F	"P"

產品名稱：迷你攝影機
產品型號：Furbo Mini 2

Note:

- Material: 50 micron white PET , with matt OPP film (can print)
50# 白色PET, 覆OPP可打印霧膜.
- Size: 36.8*36.63mm, tolerance ± 0.2mm
- 卷裝交料
- Color: Black C
 White
- 4.2D barcode: QR code

Requirement of PRIMAX Part:

- Comply with PRIMAX QW-5Q002 "Green Product Chemical Substances Specification"
- Follow customer's specification as required.
- Follow Halogen- Free requirement : Br<900 ppm, Cl<900 ppm, Br+Cl< 1500 ppm if required.

REV: 1

MATERIAL: 材質 50#白色PET, 覆可打印霧膜	PRIMAX® 致伸科技股份有限公司 PRIMAX ELECTRONICS LTD.		
TOLERANCES: 一般公差 +0.2 -0.2	TITLE: 名稱 MINI 2 PRODUCT LABEL		
FINISH: 處理	SCALE: 比例	CHKD. 校對	
UNIT: mm 單位	APPD. 審核 Janice.chang	DR. 製圖 Rong.zou	2023/5/5
INTENDEN USE: 用途 MINI 2	DWG NO. 圖號 304013499000	1/1	

APPD.: _____