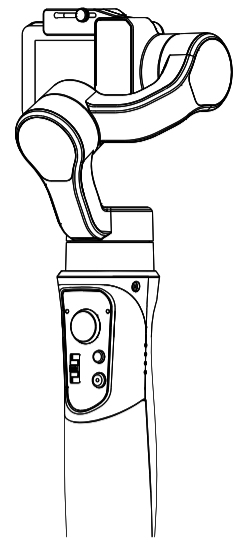


3-Axis Stabilizing Gimbal for Actioncam User Guide V1.0



@Hohem-Tech
Get more tutorial video



DISCLAIMER

*Please use the product in accordance with the user guide.
 *Make sure your actioncam device is mounted before powering on the gimbal.
 *Keep the gimbal away from fire and heat source.
 *Prohibiting the product to be used for any illegal purpose. The user who violates the regulation will be responsible for all the consequences by purchasing and using the product.
 *Hohem won't provide any service for any user who has product which comes from non-normal resource.
 *For any question, please contact the technical support of Hohem Tech. Hohem won't be responsible for any faulty operation.
 *Hohem Tech reserves the right of final explanation.

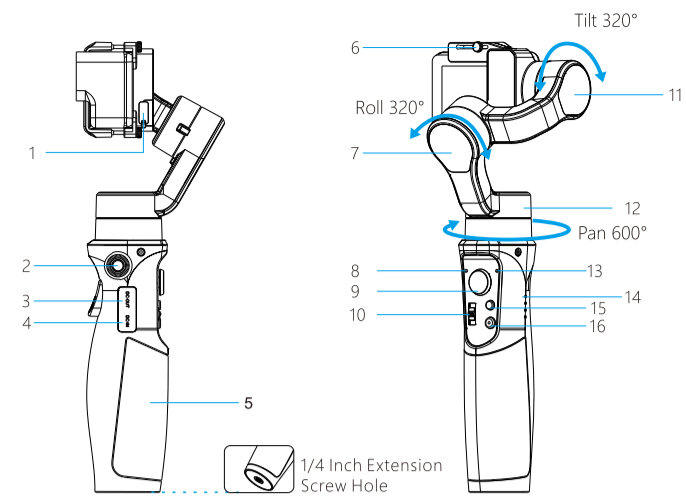


Hohem Technology Co., Ltd
www.hohem-tech.com

Tel: +86-755-86573216
 Email: service@hohem-tech.com
 Web: www.hohem-tech.com
 Addr: B106, University Creative Park, Xili, Nanshan, Shenzhen, 518055, P.R. China

01

Product Overview



02

- | | | |
|----------------------------------|--------------------|---------------------------|
| 1. Mini USB DC out Port | 7. Roll Motor | 13. Mode Light |
| 2. 1/4 Inch Extension Screw Hole | 8. Bluetooth Light | 14. Power Indicator Light |
| 3. Trigger Button | 9. Joystick | 15. Mode Button |
| 4. USB DC Out / DC In | 10. Slider | 16. ON/OFF |
| 5. Handle (Battery inside) | 11. Tilt Motor | |
| 6. Thumb Screw | 12. Pan Motor | |

Accessories List

Mini Tripod*1	USB Cable*1	Carry Case*1	Charging Cable*1	User Manual*1
---------------	-------------	--------------	------------------	---------------

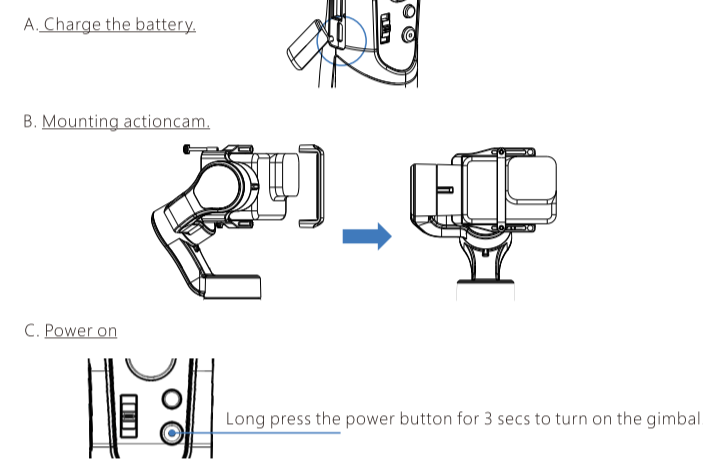
Download APP——Hohem Gimbal



* Scan QR code to download the app.
 * Hohem Gimbal supports iOS 9.0 and Android 4.5 or above.
 * Search for 'Hohem Gimbal' in the App Store or Google Play and follow the instructions to install the app.

03

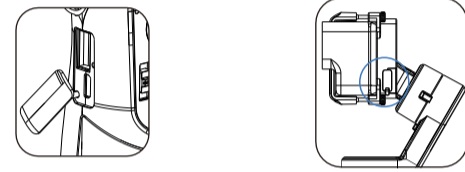
Quick Start



04

Gimbal Charging

Charge the gimbal fully before using it for the first time.
 * USB Port: Smartphone charging port
 * Micro USB Port: Gimbal charging port
 * Mini USB DC out Port: Actioncam charging port



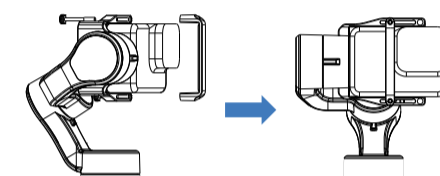
* Tap the power button to check the battery status

* Low Battery Warning: The Mode Light Blinks	4 LED lights on: 100%
* Indicator Lights blink: Charging	3 LED lights on: 75%
4 LED lights on: Fully charged	2 LED lights on: 50%
	1 LED light on: 25%

05

Mounting the Actioncam

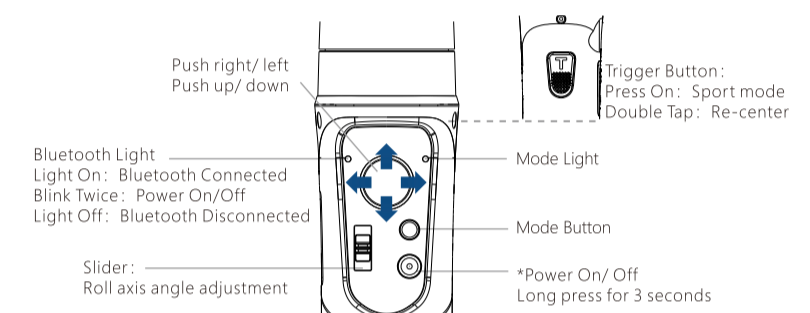
* Do not turn on the gimbal without an actioncam mounted on.
 Put the tilt motor to the LEFT side, place action camera closely to the back clip as picture and tighten the knob to secure its position. Double tighten by 2 long screws against violent movement.



* Max Payload: 150g
 * The camera holder supports the max. width of actioncam 44.5mm, max. thickness 27mm.
 * Supported cameras: GoPro Hero 7/6/5/4/3, SONY RX0, YI, SJCAM, and other action cameras with similar size and weight

06

Operation Instruction



07

Mode Button	Working Mode (Model Light)	Schema	Instruction
Instruction	PF Pan Following (Flash once, quick flash)		Default mode, tilt & roll axis both locked, camera is able to move to left or right smoothly.
Double Tap	PTF Pan & Tilt Following (Flash twice)		Roll axis locked, camera is able to move to left/right, and tilt up/down.
Triple Tap	AL All Locked (Flash triple)		The camera stays in its current orientation.
Quartic Tap	AF All Following & Inception (Flash once, slow flash)		Tilt axis, roll axis and pan axis all follow.
Long Press for 6 Seconds	Calibration Mode (Light on)		It requires to calibrate the gimbal only when you notice any kind of not level or drift on any of the axes.

08

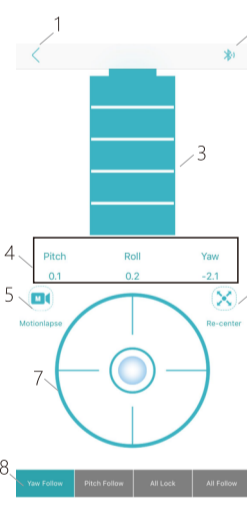
App "Hohem Gimbal" Instruction

Bluetooth Connection

- Enable the Bluetooth on the smartphone.
- Open the app, choose the product model and confirm into Bluetooth connection.
- Make sure the gimbal indicator keeps on.

Main App Functions

- Home
- Bluetooth
- Power Status
- Axis angle display in sync
- Motion Timelapse
- Re-center
- Remote Control
- Switch Work Mode



09

App "Hohem Gimbal" Instruction

Other App Functions

- Gimbal Specs Setting:
 - A. Following Speed (To adjust the following speed of pan/tilt/roll axes)
 - B. Joystick Speed (To adjust the rotating speed by control the joystick)
 - C. Following Dead Area (No following movement when the rotate angle is less than dead area setting)
 - D. Trim (To adjust the tilt/roll axis in small angle to get a perfect balance)
 - E. Joystick Reverse (To reverse the rotation direction by control the joystick)
 - F. Motor Torsion (To adjust the motor torsion of pan/tilt/roll axes, which is useful to solve the vibrate issue due to lightweight or overweight actioncam)
- Firmware Upgrade: The firmware is subject to upgrade without a fixed schedule. Firmware upgrade is help to optimize the working of gimbal, please refer to page 12 for details.
- Calibration: It requires to calibrate the gimbal only when you notice any kind of not level or drift on any of the axes, please refer to page 11 for details.
- Operation Instruction: For any questions, please refer to the user guide for details, the content is subject to change without prior notice.

10

Calibration

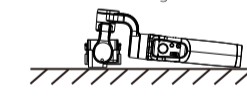
It requires to calibrate the gimbal if you notice it is not work properly as below.

- The pitch angle is not level with the horizontal surface.
- The roll angle is not parallel to the horizontal surface.
- The pan axis drifts when the gimbal is on all lock mode.

Calibration Instruction

Method 1: Off-line Calibration

- Power on the gimbal, long press the mode button over 6 seconds till the mode light on.
- Laying the gimbal on a static flat surface without any vibrate. Calibration is completed once the mode light flash twice.



*If the off-line calibration is not useful, please refer to 【Method 2】

Method 2: 6-Side Calibration Via App

Please make sure the gimbal is connected with app via bluetooth successfully, then enter "Calibration" and follow the instruction in the app to calibrate the gimbal.

11

Firmware Upgrade

Please make sure the gimbal is connected with app via bluetooth successfully, then enter the "Firmware Upgrade" and follow the instruction to upgrade the latest firmware.

FAQ

Q: Why the gimbal vibrates after powering on?

A: Make sure your actioncam is mounted firmly and well balanced before powering on the gimbal, do not turn on the gimbal without a balanced load, as doing so many damage the motors, please refer to page 6, 7, 8 for more details.
 For some lightweight actioncam, it needs to adjust the motor torsion, please refer to page 12 for details.

Q: How to connect the gimbal via app?

A: Please be noted that the bluetooth and gimbal must be connected directly in the app "Hohem Gimbal", rather than connecting in the smartphone bluetooth list. Make sure all the permission is allow when you open the app for the first time. Please refer to the tutorial video on our YouTube channel for more details.

Q: How to do if the gimbal is not level or drift after powering on?

A: Please refer to page 11 for details.

12

Parameters

Weight	351g include battery
Main Material	High performance composite
Payload	150g
Camera Size Supported	Max. Width: 44.5mm Max. Thickness: 27mm
Supported Actioncam	GoPro Hero 7/6/5/4/3, SONY RX0, YI, SJCAM, and other action cameras with similar size and weight.
Battery Capacity	3600 mAh
Working Time	12 hours
Charging Time	3.5 hours
Mechanical Range	Panning: 600°
	Rolling: 320°
Working Temperature	Tilting: 320°
	-10-45 °C
Motors Protection	Gimbal is able to power off automatically due to improper operation of the motors.
Standard Accessories	Tripod, Carry case, USB cable (for charging gimbal) Charging Cable(for charging actioncam)

13

Warranty Card

- 15 days upon date of purchase, if there is function problem, the commodity and package without any damage, after we check and confirm, we will offer the same product for replacement.
- Warranty valid only under normal use.
- Used in the normal circumstances, 1 year warranty, maintenance of life (not include the All accidents or man-made damage, teardowns or misuse damage is outside the scope of the warranty).
- All accidents or man-made damage, teardowns or misuse damage is outside the scope of the warranty.

User Name:
 Contact NO.:
 Address:
 Purchase Date:
 Prod. Serial NO.:
 Failure Issue:
 Service Record:

14

The device has been evaluated to meet general RF exposure requirement, The device can be used in portable exposure condition without restriction Federal Communication Commission (FCC) Radiation Exposure Statement Power is so low that no RF exposure calculation is needed.

This device complies with part 15 of the FCC rules. Operation is subject to the following two conditions: (1) this device may not cause harmful interference, and (2) this device must accept any interference received, including interference that may cause undesired operation.

NOTE: The manufacturer is not responsible for any radio or TV interference caused by unauthorized modifications or changes to this equipment. Such modifications or changes could void the user's authority to operate the equipment.