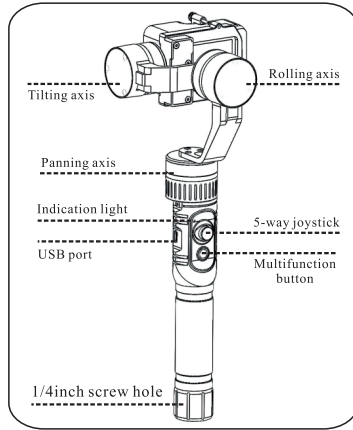
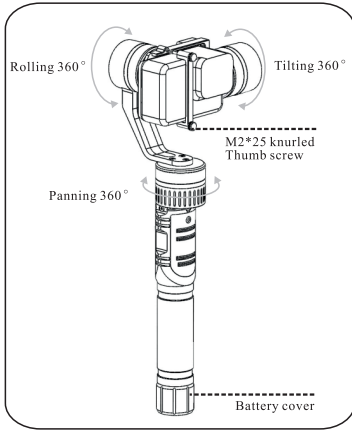


1. Product Overview



Accessories

*Standard

- ① 18650 Rechargeable Battery*1
- ② Micro USB Cable*1
- ③ Long screw*2
- ④ Handbag*1
- ⑤ User Manual*1
- ⑥ Warranty Card*1

*Optional

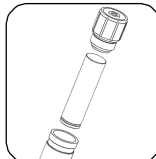
- ① Tripod
- ② Extension Stick
- ③ Bike mount

2. Installation Instruction



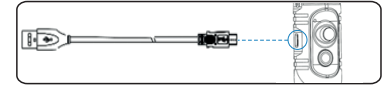
- ① Install Hohem GimSet
Search for 'Hohem Studio' in the App Store or Google Play, and install the app on your mobile phone.

*'Hohem GimSet' supports iOS 8.0 and Android 4.4 or above.



- ② Battery Assembly
Please insert the battery as shown on the left.
Fully charge the battery before using it for the first time. The charging time is about 2.5 hours while directly charging from the wall charger.
Charging indicator:
(A. Charging state: signal indicator light turn purple.
B. Battery fully charged: signal Indicator light turn blue.)

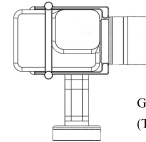
* Charging: Using the standard USB CABLE connect the gimbal charging port to wall charger or other power sources.



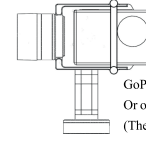
- ③ Mount and Balance the Action Camera

No need additional counter weight. Without power on, the gimbal can get the best self-balance status by setting the right position of the motors and camera placements.
It is perfectly compatible with Hero5, and Hero4/3/YI CAM/SJCAM/AEE or other action camera of the similar size.

A. 2 Different Installations Status



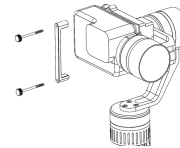
GoPro Hero 5
(The lens is next to the pitch motor)



GoPro Hero 3/4/YI CAM/SMCAM/AEE
Or other action camera of similar size
(The lens is opposite to the pitch motor)

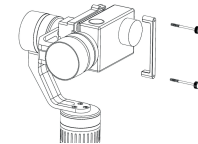
B. Two Ways Camera Installation Methods

a. GoPro Hero 5

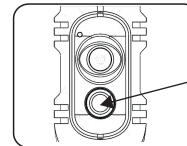


Put the pitch motor to the RIGHT side, place GoPro Hero5 close to the back clip as shown above. Double tighten by the 2 long screws against violent movement.

b. GoPro Hero 3/4/YI CAM/SMCAM/AEE or other action camera of similar size.



Put the pitch motor to the LEFT side, place Hero 4 / 3 / YI / SJCAM etc. close to the clip as shown above. Refine the location of camera to get better physical centroid matching before turn on the gimbal.
Double tighten by the 2 long screws against violent movement.



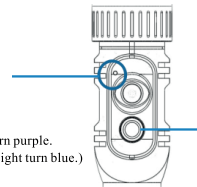
- ④ Power on
Power on the Gimbal. Press the function button until the indicator flashing twice.

3. Light Instruction

Signal Indicator Light

- Constant on: Bluetooth is connected
- Turn off: Bluetooth is not connected
- Flashes twice: Power on/off

(A. Charging state: signal indicator light turn purple.
B. Battery fully charged: signal indicator light turn blue.)



Status Indicator Light

- Flashes once: Panning mode
- Flashes twice: Panning and pitching mode
- Flashes for three times: Lock mode
- Quick flashing: Low battery

4. Controlling Instruction

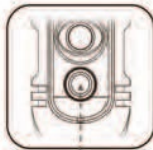
5-Way Joystick



APP Control

- Middle button: Switch the working mode
- Single Press: Panning Mode Following
- Double Press: Panning and Pitching Mode Following
- Triple Press: Lock Mode Following
- Long press for 6 seconds: Enter the initialization
- Left/Right: Panning angle adjustment

Function Button



Long Press: Power on/off

*Confirming the smartphone has connected the gimbal with bluetooth.

- Joystick controlling
- One click calibrating
- Setting: Follow Speed, Lock Speed, Rocker Speed, Blind Angle, Rocker Direction.
- Firmware Upgrade

* Please check more added functionalities via our APP.



Hohem GimSet

5. Working Mode Instruction

Basic Working Modes

Working Mode	Instruction
Panning Mode	The action camera can move to left or right smoothly along with the handheld moving. The pitching and rolling directions fixed.
Panning and Pitching Mode	The action camera can move to left or right and pitch up and down smoothly along with the handheld moving. The rolling direction fixed.
Lock Mode	The action camera stays in its current orientation. The panning, pitching and rolling directions are all fixed.

6. Product Parameters

Handle Size	87.5*13*13MM
Material	Aluminum Alloy
Weight	369g (Including battery) 1280g (Whole package)
Folding Size	288*92*36mm
Pitching Angle	360°
Rolling Angle	360°
Panning Angle	360°
Working Voltage	3.2V-5.0V
Overload Current Protection	1A
Battery Life	2000mAh/4 Hours
Adaption	GoPro Hero5/4/3, YI CAM/SJCAM/AEE etc and other action cameras of the similar size.
Frequency/Power	2.4GHz /1.79dbm

7. Calibration

If the gimbal has the following situations, please calibrate it:

- ①The pitch angle is not perpendicular to the horizontal surface.
- ②The roll angle is not parallel to the horizontal surface.
- ③Under the lock mode, the panning angle drifting.



Calibration Operation Instruction:

Method 1: Off-line Calibration

- (1)Power on the gimbal(around 3 seconds),long press the middle button of the joystick over 6 seconds till the status indicator light is solid.
- (2)Lay the gimbal as following picture on a static flat surface, make sure it has no shaking. Calibration is finish when the status indicator light is continuously flashing for 3 times.
- (3)Power off the gimbal and restart it, if the calibration is unsuccessful, you can repeat step(1)(2)to reinitialize.

Method 2: APP Calibration

Please refer to the calibration guidelines in Hohem Gimset.

Method 3: On-Line Calibration

Please visit our official website <http://www.hohem-tech.com>, and visit the SUPPORT to download the calibration software of HG5 Pro and operation introduction to calibrate the gimbal.

8. Firmware Upgrade

Please visit the official website <http://www.hohem-tech.com>, and visit the SUPPORT to download the USB driver software, the software of HG5 Pro firmware upgrade, the latest firmware and operation manual to upgrade the firmware.

We provide various kinds of optional accessories for our gimbals. Please contact us for more information. Email: service@hohem-tech.com.

9. Disclaimer

- ①Please install and use the product according to the manual
- ②Please use the standard battery charger!
- ③Please reconfirm the gimbal and the action camera are well installed before power on!
- ④Keep the battery away from fire and heat source!
- ⑤Prohibit any user for any illegal purpose. Users will be responsible for all behavior of purchasing and using the products.
- ⑥For any unknown sources or usage, we will not provide any service.
- ⑦If there is any question, please contact the technician of Hohem Tech, we won't be responsible for any wrong operations by users.
- ⑧Hohem Tech reserves the right for final explanation.

Hohem®

Hohem Technology Co.,Ltd
[Http://www.hohem-tech.com](http://www.hohem-tech.com)
 Email: service@hohem-tech.com

Manufacturer declarations

Warranty

USB

Due to the used enclosure material, the product shall only be connected to a USB Interface of version 2.0 or higher. The connection to so called power USB is prohibited.

Temperature

The suitable temperature for the product and accessories is -10°C~40°C.

Battery

CAUTION RISK OF EXPLOSION IF BATTERY IS REPLACED BY AN INCORRECT TYPE.
DISPOSE OF USED BATTERIES ACCORDING TO THE INSTRUCTIONS

SIMPLIFIED EU DECLARATION OF CONFORMITY

The simplified EU declaration of conformity referred to in Article 10(9) shall be provided as follows: Hereby, Hohem Technology Co., Ltd. declares that the radio equipment type T2 is in compliance with Directive 2014/53/EU. The full text of the EU declaration of conformity is available at the following internet address: <http://www.hohem-tech.com>


signature

FCC caution

The device has been evaluated to meet general RF exposure requirement, The device can be used in portable exposure condition without restriction
Federal Communication Commission (FCC) Radiation Exposure Statement
Power is so low that no RF exposure calculation is needed.

FCC statements

This device complies with part 15 of the FCC rules. Operation is subject to the following two conditions: (1) this device may not cause harmful interference, and (2) this device must accept any interference received, including interference that may cause undesired operation.

NOTE: The manufacturer is not responsible for any radio or TV interference caused by unauthorized modifications or changes to this equipment. Such modifications or changes could void the user's authority to operate the equipment.

NOTE: This equipment has been tested and found to comply with the limits for a Class B digital device, pursuant to part 15 of the FCC Rules. These limits are designed to provide reasonable protection against harmful interference in a residential installation. This equipment generates uses and can radiate radio frequency energy and, if not installed and used in accordance with the instructions, may cause harmful interference to radio communications. However, there is no guarantee that

interference will not occur in a particular installation. If this equipment does cause harmful interference to radio or television reception, which can be determined by turning the equipment off and on, the user is encouraged to try to correct the interference by one or more of the following measures:

- Reorient or relocate the receiving antenna.
- Increase the separation between the equipment and receiver.
- Connect the equipment into an outlet on a circuit different from that to which the receiver is connected.
- Consult the dealer or an experienced radio/TV technician for help.