

IMPORTANT SAFEGUARDS

When using electrical appliances, basic safety precautions should always be followed to prevent the risk of fire, electric shock, burns, or other injuries or damages.

- Read all instructions before use.
- Do not touch hot surfaces. Use handles or knobs.
- To protect against fire, electrical shock and injury to persons do not immerse cord, plugs, or the appliance in water or other liquids.
- Close supervision is necessary when any appliance is used by or near children.
- Unplug from outlet when not in use and before cleaning. Allow it to cool before putting on or taking off parts and before cleaning the appliance.
- Do not operate appliance with a damaged cord or plug, or after the appliance malfunctions or has been dropped or damaged in any manner. Call our toll-free customer assistance number for information on examination, repair, or adjustment.
- The use of accessory attachments not recommended by the appliance manufacturer may result in fire, electric shock or injuries to persons.
- Do not use outdoors or in a damp area.
- Do not let cord hang over edge of table or counter, or touch hot surfaces.
- Do not place on or near a hot gas or electric burner, or in a heated oven.
- To disconnect the appliance, remove plug from wall outlet.

Make sure appliance has finished brewing and has had time to cool down.

- Do not use this appliance for anything other than its intended use.
- Scalding may occur if the lid is removed during the brewing cycles.
- To reduce the risk of fire or electric shock, do not remove the bottom cover on the appliance. No user serviceable parts inside. Call our toll-free customer assistance number for repair.

This appliance must never be used on a range top.

IMPORTANT SAFEGUARDS

- Warning: Hot Steam.
- Caution: To reduce the risk of scalding, do not open lid when coffee is brewing.
- Warning: To reduce the risk of fire or electric shock, do not remove bottom cover.

No user-serviceable parts inside. Repair should be done by authorized service

- Caution: Risk of injury – replace the carafe within 30 seconds while brewing.
- Warning: After brewing is finished turn off the appliance.

EXTENSION CORDS

A short power-supply cord is to be provided to reduce the risk resulting from becoming entangled in or tripping over a longer cord. Longer detachable power-supply cords or extension cords may be used if care is exercised in their use. If a longer detachable power-supply cord or extension cord is used,

- 1) The marked electrical rating of the cord set or extension cord should be at least as great as the electrical rating of the appliance, and
- 2) The longer cord should be arranged so that it will not drape over the countertop or tabletop where it can be tripped over, snagged, or pulled on unintentionally

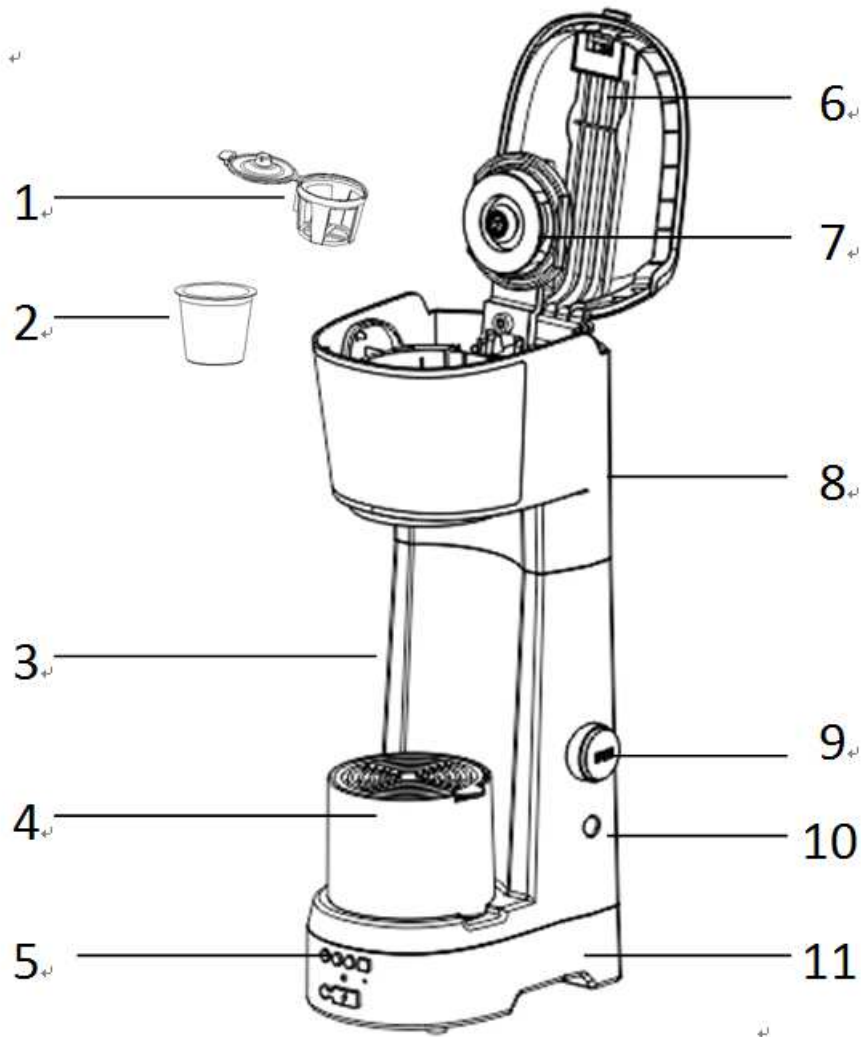
(especially by children).

POLARIZED PLUG

This appliance has a polarized plug (one blade is wider than the other). To reduce the risk of electric shock, this plug is intended to fit into a polarized outlet only one way. If plug does not fit fully into the outlet, reverse the plug. If it still does not fit, contact a qualified electrician. Do not attempt to modify the plug in any way.

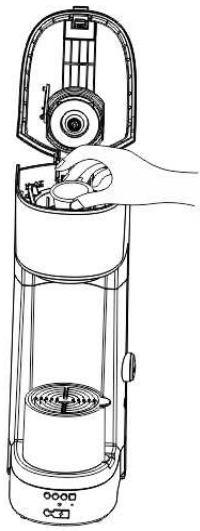
OPERATION STEPS:

- Remove packing materials, read all instructions carefully before use.
- Coffee maker should be cleaned before using for the first time. To clean coffee maker, follow cleaning instruction below.



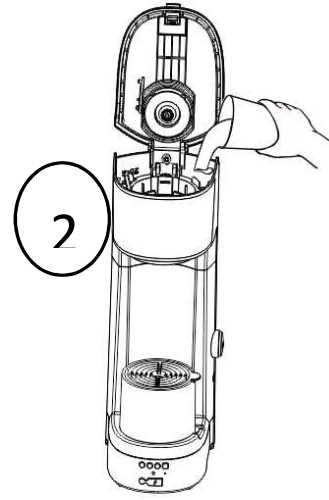
1. Ground Coffee Holder 2: Capsule 3. The housing 4. large drip tray 5. The bluetooth controls
6. Lid 7. Water shower head 8: Water tank 9:Startkey 10; Indicator light

operating steps:



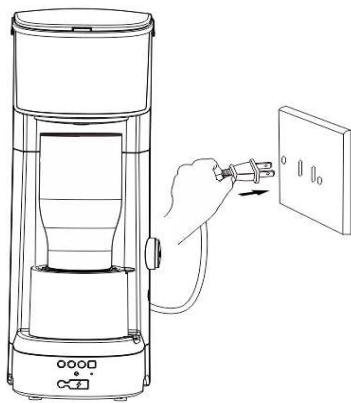
1

1、 Put the capsule in the holder



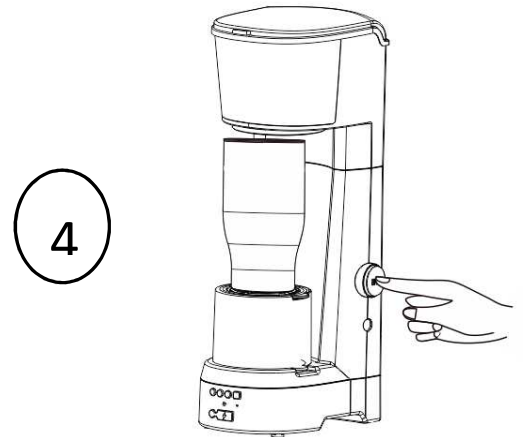
2

2、 Add cold water into the tank basket



3

3、 Connect to power supply



4

4、 Push switch ON to start brewing coffee

1. FOR THE FIRST USE, ADD WATER INTO THE TANK AND PUT CAPSULE/COFFEE GROUND IN PLACE, THEN PLUG IN.

2. THE START BUTTON IS AN ACTIVATION SWITCH ONLY. PRESSING BUTTON AGAIN AFTER STARTING BREW CYCLE WILL NOT STOP THE PRODUCT FROM OPERATING.

3. TO INTERRUPT BREW CYCLE, UNPLUG PRODUCT FROM ELECTRICAL OUTLET.

4. TO BREW 2ND CYCLE, WAIT APPROX. 5 MINUTES FOR UNIT TO RESET.

Warning

1. After running for approximately 3 minutes, the coffee machine will automatically power off
2. To assure that all water is removed from coffee maker, the water pump will run shortly after brew cycle is completed.
3. For your safety when the machine is working, please do not open the lid.
4. This machine uses instant heating system & water pump pressure system, to quickly extract delicious coffee. Capsule should be used one time only. Using Capsules more than once will result in poor tasting coffee and brewing basket may overflow.
5. Before brewing coffee, make sure that there are no use K-CUP pods in machine. It is recommended to use pure water
- 6: Warning: Always unplug coffee maker off when not in use.

CLEANING

1: Proper maintenance will ensure years of service from your appliance. Clean the appliance after every use. This appliance contains no user serviceable parts and requires little maintenance. Leaving servicing or repairs to qualified personnel.

2: Warning: Unplug the appliance and let it cool down completely before cleaning

3: Caution: Do not immerse the coffee maker, or the power cord with plug into water or any liquids. Do not use abrasive pads or alcohol.

4: Take out the filter cup and the funnel from the coffee machine.

5: Clean the housing and warming plate with a clean, damp cloth.

6: Use baking soda or a mild cleaning agent to remove stains on the carafe. If stains are hard to remove, fill the carafe with the water/detergent mixture overnight and clean afterwards.

7: Make sure all parts are completely dry after washing and before use.

8: After cleaning, reassemble the coffee maker.

9: Note: Do not dry the inside of the water tank with a cloth, as lint may remain.

TECHNICAL DATA

Rated voltage: 120V~60Hz

Rated current: 7.5A

Rated power input: 1000W

Bluetooth Speaker Operating Steps:

Turn unit on

Press on / off button (4) for One Second.

Search for Bluetooth Signal:

.Press Bluetooth Button (2) for three seconds, the Bluetooth function is turned on.

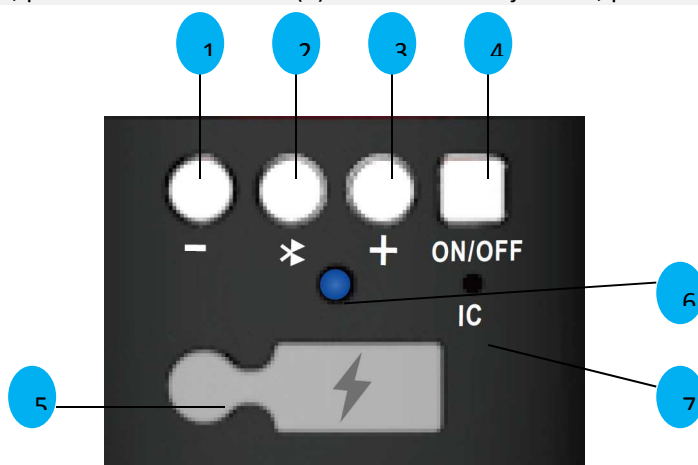
.After the Bluetooth is turned on, the voice prompts "Bluetooth On", and the Bluetooth search "LED" (6) flashes as a status indicator. Start mobile phone Bluetooth search mode. tap "CE-Tech" from the menu, Phone will be connected to Coffee Maker. After phone is paired, the Bluetooth Coffee Maker will automatically detect your phone after coffee maker is turned on or phone is brought in range. (Phone must have Bluetooth function on)

Play the song/music:

.Open the music player in phone. Select desired song and press play on phone. To "Play or Pause music from coffee maker, press Bluetooth button (2). Short press "PREV / V-" button (1) to select the previous song, press and hold to reduce volume reduction; short press "NEXT / V +" button (3) to select the next song, press and hold to increase.

Telephone answering function:

.When a call comes in, press Bluetooth button (2) to answer. To reject call, press and hold Bluetooth button (2).



NOTE: This equipment has been tested and found to comply with the limits for a Class B digital device, pursuant to Part 15 of the FCC Rules. These limits are designed to provide reasonable protection against harmful interference in a residential installation. This equipment generates, uses and can radiate radio frequency energy and, if not installed and used in accordance with the instructions, may cause harmful interference to radio communications.

However, there is no guarantee that interference will not occur in a particular installation. If this equipment does cause harmful interference to radio or television reception, which can be determined by turning the equipment off and on, the user is encouraged to try to correct the interference by one or more of the following measures:

- o Reorient or relocate the receiving antenna.
- o Increase the separation between the equipment and receiver.
- o Connect the equipment into an outlet on a circuit different from that to which the receiver is connected.
- o Consult the dealer or an experienced radio/TV technician for help.

“This device complies with Industry Canada License-exempt RSS-210. Operation is subject to the following two conditions:

- (1) This device may not cause interference, and
- (2) This device must accept any interference, including interference that may cause undesired operation of the device.”

Warning: Changes or modifications to this unit not expressly approved by the party responsible for compliance could void the user’s authority to operate the equipment.