



3.00

Parallel Wireless **CWS-3050-07**
Converged Wireless System

Power Input: -48VDC, 8A Max SELV Source
Alimentation CC: -48V, 8A Max Source TBTS

This device complies with part 15 of the FCC rules. Operation is subject to the following two conditions:
(1) This device may not cause harmful interference, and
(2) This device must accept any interference received, including interference that may cause undesired operation.

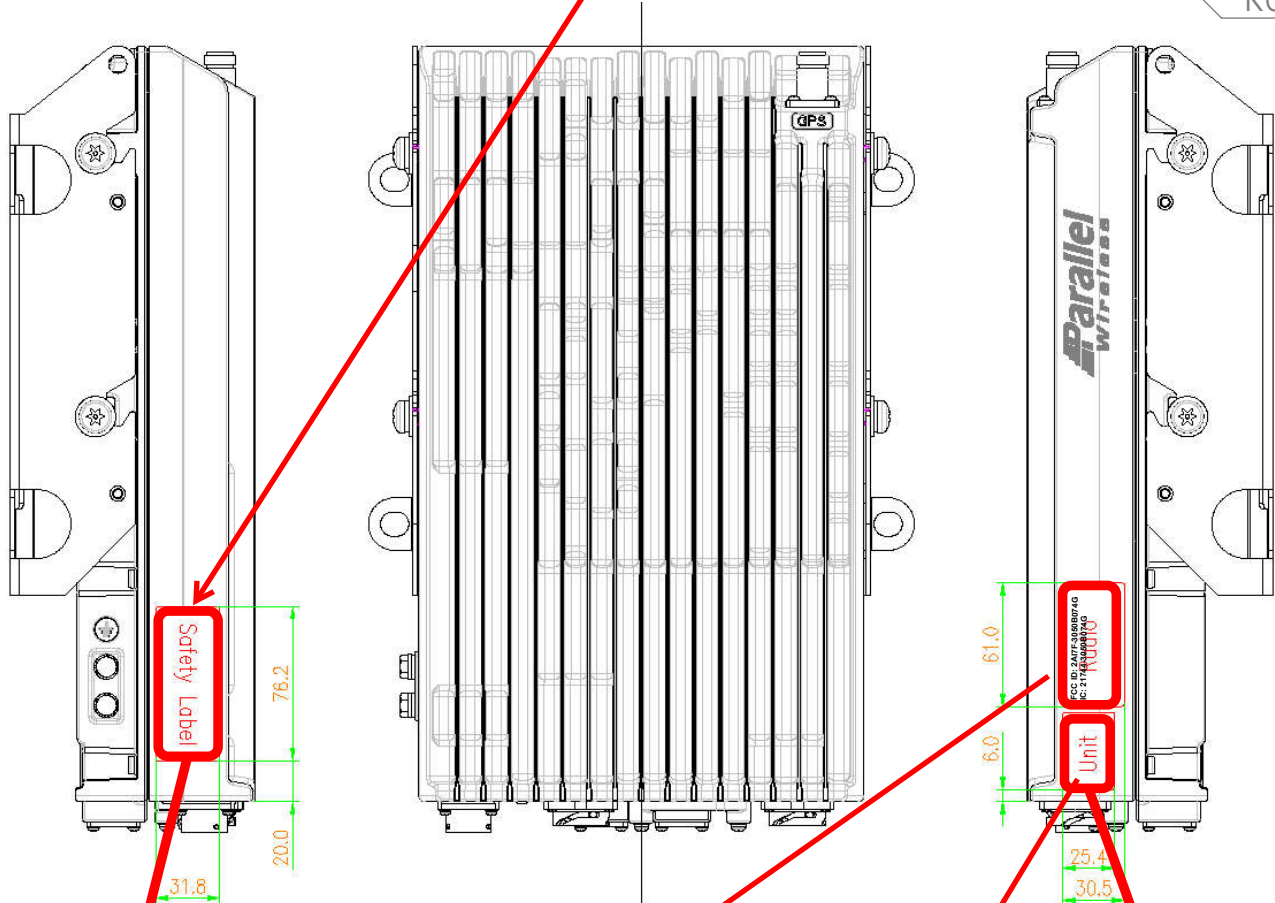
Conforms to UL STD 60950-1 & 60950-22
Certified to CSA STD C22.2 #60950-1 & 60950-22

FCC **ETL** **Intertek**
5005300

Made in Korea for Parallel Wireless, Inc.

CWS-3050-07 label locations:

R0.062 TYP



76x31 Safety Label

61x31 Radio Conformance Label

38x25 Unit Label

2.40

1.20

FCC ID: 2A17F-3050B074G
IC: 21744-3050B074G

R0.062 TYP

1.50

1.00

A RAN ID=XXXXXXXX
B pn=901-2017
C revision=XXX
D CFG ID=CXXXXX
E mfg date=MMDDYYYY

Field Descriptions:

- A) Parallel Wireless RAN ID.
- B) Parallel Wireless Unit Part Number.
- C) Parallel Wireless Unit Revision.
- D) Parallel Wireless Config ID.
- E) Manufacturing date.
- F) QR code.

R0.062 TYP