

Antenna report

Model	TW982	
Modulation frequency range and type	BT	2.4GHz
	Type	ceramic antenna
version	V1.0	

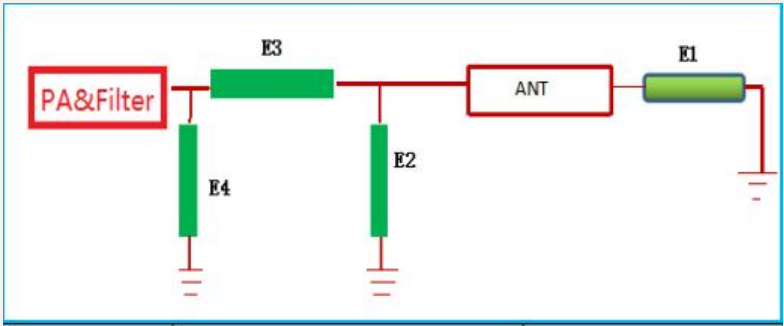
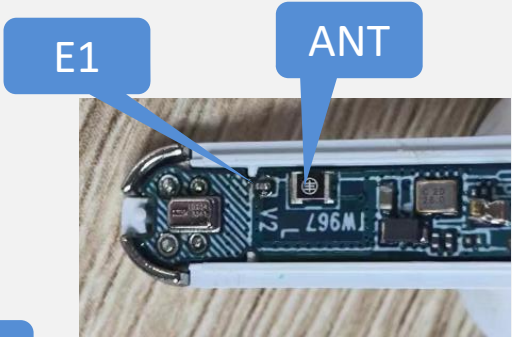
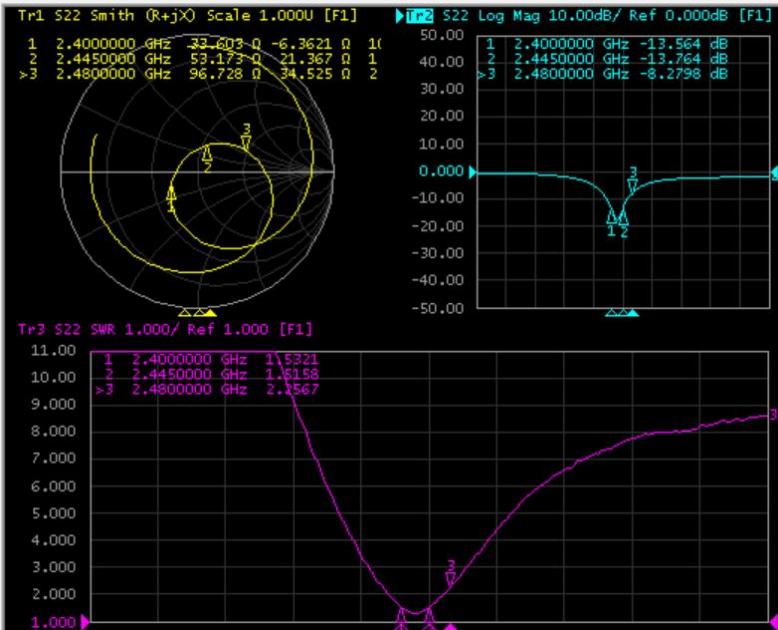
Manufacturer: Guangzhou Havit Technology Co., Ltd.

Address: Room 1307,13F,Building B and C,Poly World Trade Center Phase II,1000 Xingangdong Road,Haizhu District,Guangzhou City,Guangdong,China

External photo



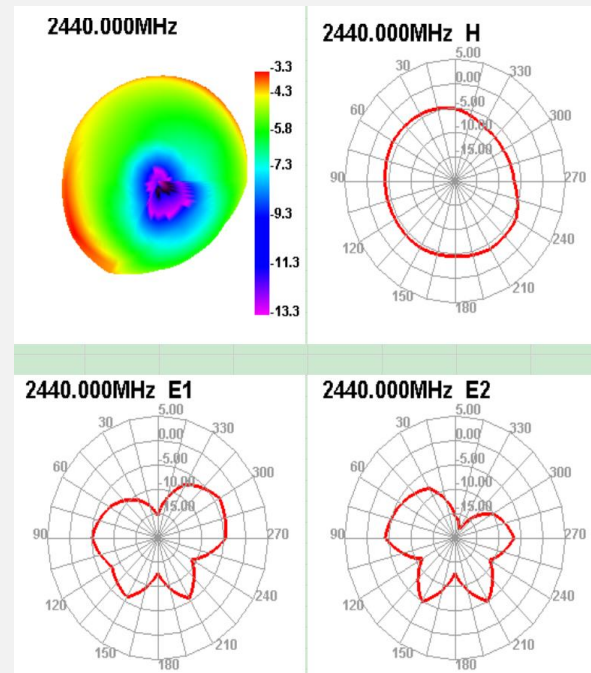
Antenna Parameter



Element	parameter value
ANT	3216-H1
E1	1.5PF
E3	
E4	1.5PF

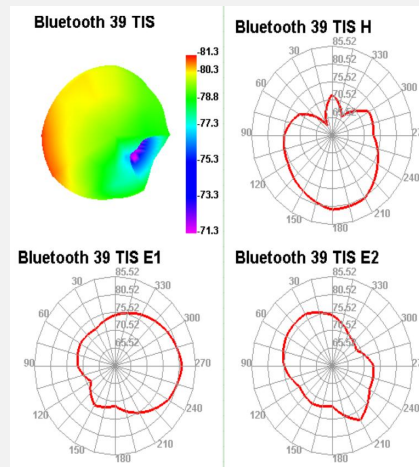
Passive efficiency testing

Passive Test For BT			
Freq (MHz)	Effi (%)	Effi (dB)	Gain (dBi)
2400	25.26	-6.52	-2.41
2410	26.21	-6.16	-2.11
2420	25.11	-6.76	-2.81
2430	27.93	-6.21	-2.38
2440	28.72	-6.07	-2.39
2450	29.43	-5.31	-1.64
2460	30.99	-5.85	-2.13
2470	28.3	-5.19	-1.39
2480	27.21	-5.34	-1.42



OTA Active Test (Free Field)

R			
Test	Bluetooth TIS		
Result	0	39	78
Frequency (MHz)	2402	2441	2480
TRP (dBm)	2.68	2.4	2.38
TIS (dBm)	-86.79	-85.65	-86.9



L			
Test	Bluetooth TIS		
Result	0	39	78
Frequency (MHz)	2402	2441	2480
TRP (dBm)	2.23	2.34	2.45
TIS (dBm)	-85.12	-85.23	-86.34

