

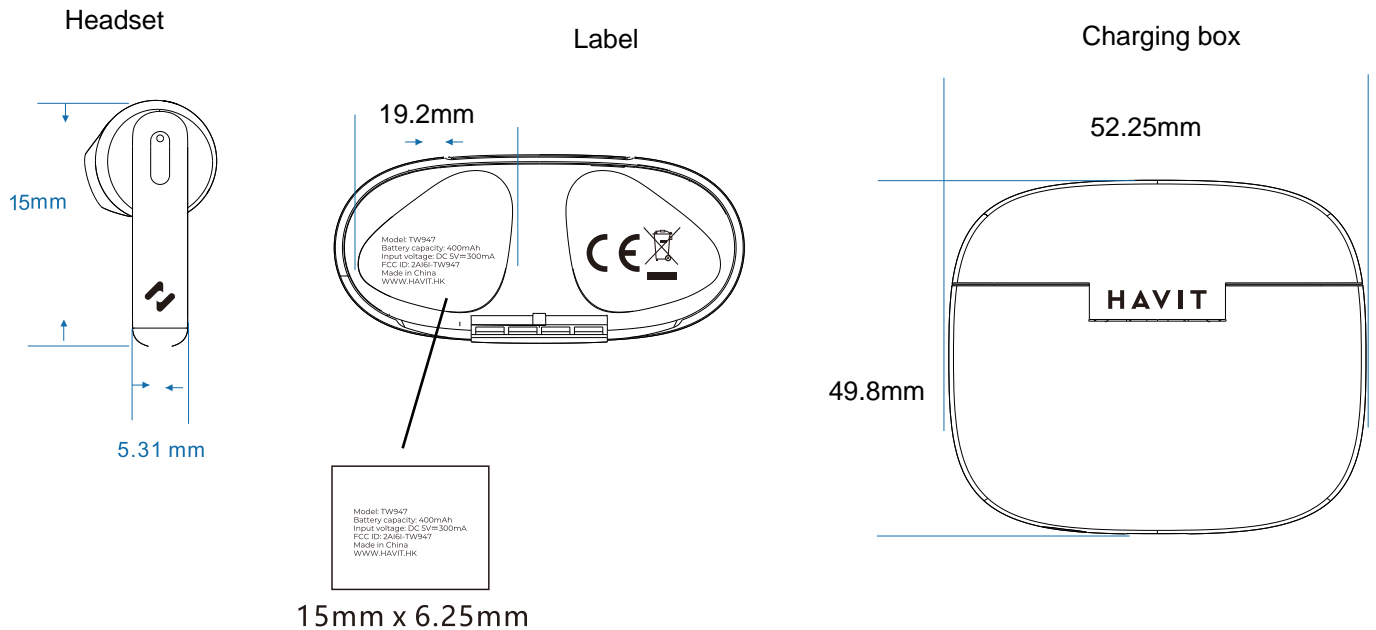
Guangzhou Havit Technology Co.,LTD
Add: ROOM 1307, 13F, PHASE 2 B, C BUILDING OF POLY WORLD TRADE CENTER, NO.1000, XINGANG EAST ROAD, HAIZHU, GUANGDONG, China
Tel: +86-20-66820279 Fax: +86-20-66856369
Email: havitcg19@havit.com.cn

To
FEDERAL COMMUNICATIONS COMMISSION
Authorization and Evaluation Division
7435 Oakland Mills Road
Columbia,MD 21046

Dear Sir/Madam,

We, Guangzhou Havit Technology Co.,LTD, Product: Bluetooth Earbuds, Model: TW947, FCC ID:2AI6I-TW947, hereby submits justification for placing the FCC ID label to the charging box. According to the FCC Regulation and Guidance (KDB Publication 784748 D01 v09R01) allows for the FCC to be removed to charging box if the device is unquestionably too small for the FCC ID label to be printed.

The measurement of headset: Length (15mm)*Width (5.31mm), label: Length 15mm*Width 6.25mm, charging box:52.25mm*49.8 (mm).Refer to the above quote, as the headset are too small for the FCC ID label to be printed, so the FCC ID label will be moved to the charging box. For details, please see below photos:



Sincerely, *Yang Wei*

Yang Wei
Manager