

Guangzhou Havit Technology Co.,LTD

Add:ROOM 1307, 13F, PHASE 2 B, C BUILDING OF POLY WORLD TRADE CENTER, NO.1000, XINGANG EAST ROAD, HAIZHU, GUANGDONG, 510000, China

Tel:+86-20-66820279

Fax: +86-20-66856369

Email: havitcg19@havit.com.cn

To

**FEDERAL COMMUNICATIONS COMMISSION**

Authorization and Evaluation Division

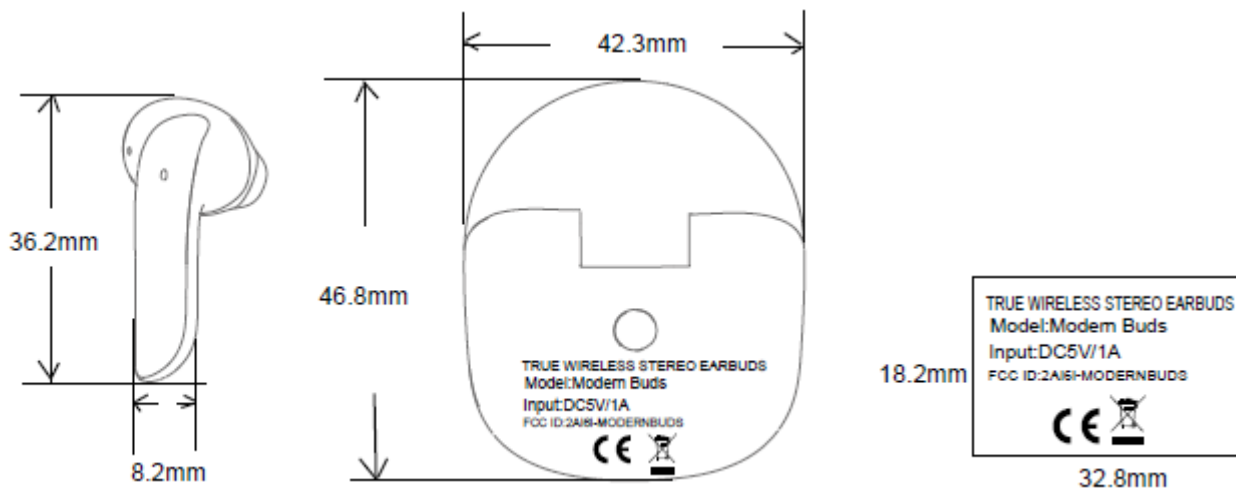
7435 Oakland Mills Road

Columbia,MD 21046

Dear Sir/Madam,

We, Guangzhou Havit Technology Co.,LTD, Product: TRUE WIRELESS STEREO EARBUDS, Model: Modern Buds,TW903,E529BT,TW981,TW979,TW965, FCC ID:2AI6I-MODERNBUDS, hereby submits justification for placing the FCC ID label to the charging box. According to the FCC Regulation and Guidance (KDB Publication 784748 D01 v09R01) allows for the FCC to be removed to charging box if the device is unquestionably too small for the FCC ID label to be printed.

The measurement of headset: Length 36.2(mm)\*Width 8.2(mm), label: Length 32.8(mm)\*Width 18.2(mm), charging box:46.8(mm)\*42.3(mm). Refer to the above quote, as the headset are too small for the FCC ID label to be printed, so the FCC ID label will be moved to the charging box. For details, please see below photos:



Sincerely,

Signature:

*Wei Yang*

Printed Name: Wei Yang

Title: Manager