



GYZ CONFIDENTIAL

GYZ

# S5023-OTA测试报告

Manufacturer: Walsin Technology Corporation

Address: 24F. No.1, Songzhi Rd., Xinyi Dist, Taipei City 110, Taiwan

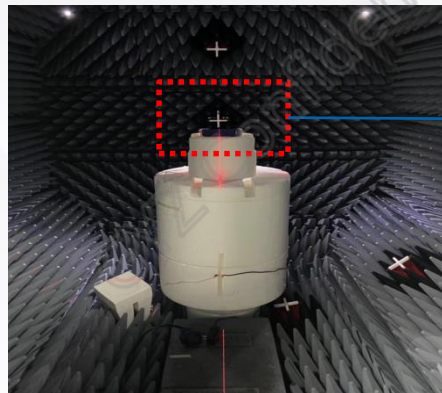
时间： 2022/8/15



# 整机测试与环境

GYZ CONFIDENTIAL

GYZ



被测物



测试仪器说明：GTS2800暗室+CMW500综测仪



# 无源S11

GYZ CONFIDENTIAL

GYZ





# DIMENSIONS

GYZ CONFIDENTIAL

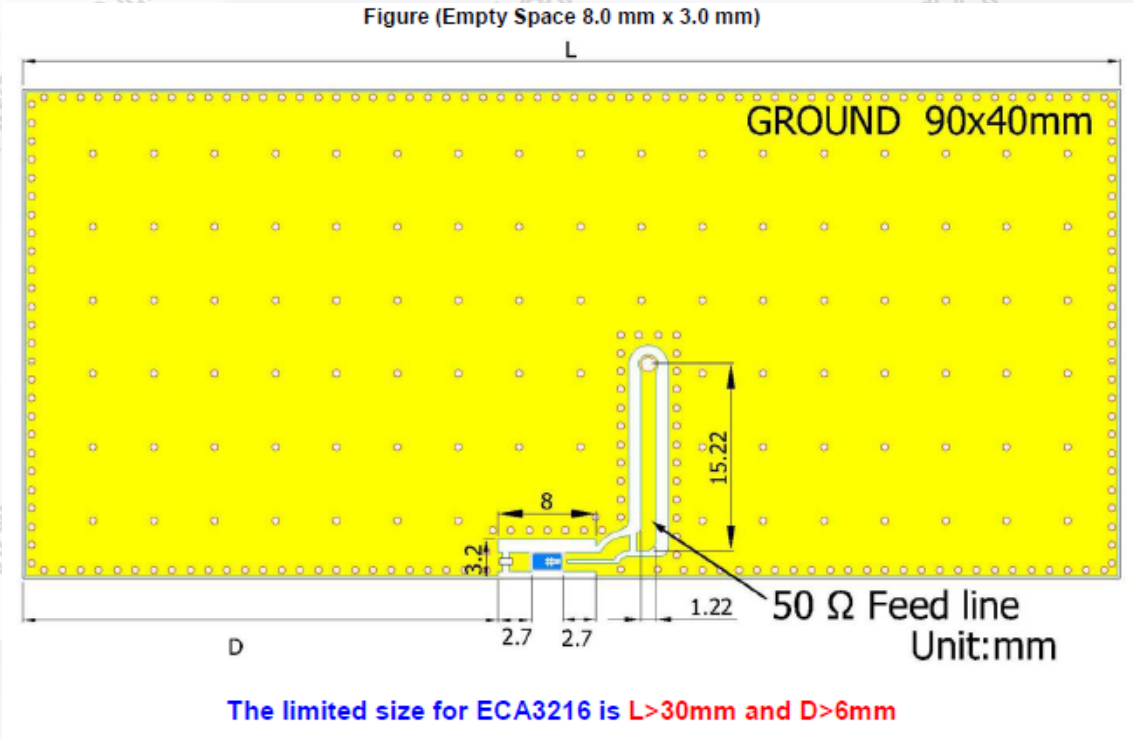
GYZ

Figure	Symbol	Dimension (mm)
<p>W = <math>1.6 \pm 0.2</math> mm</p> <p>T = <math>0.6 \pm 0.1</math> mm</p> <p>L = <math>3.1 \pm 0.2</math> mm</p> <p>A = <math>0.25 \pm 0.2</math> mm</p>	L	$3.10 \pm 0.20$
	W	$1.60 \pm 0.20$
	T	$0.60 \pm 0.10$
	A	$0.25 \pm 0.20$



# SOLDER LAND PATTERN DESIGN

**GYZ CONFIDENTIAL**





# 无源效率和增益

GYZ CONFIDENTIAL

GYZ

Band	Effi (%)	Gain (db)
2.4GHZ	40.41	1.55
2.41GHZ	40.81	1.67
2.42GZH	40.62	1.69
2.43GZHZ	40.51	1.87
2.44GHZ	42.47	1.98
2.45GHZ	41.34	1.89
2.46GHZ	40.24	1.76
2.47GHZ	40.61	1.75
2.48GHZ	40.23	1.67
2.49GHZ	40.19	1.63
2.5GHZ	40.07	1.59

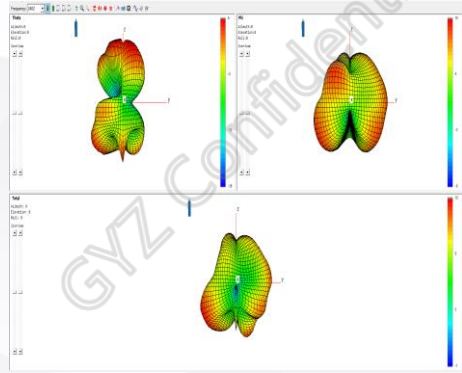
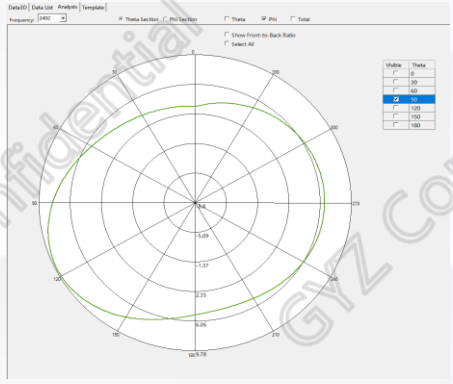
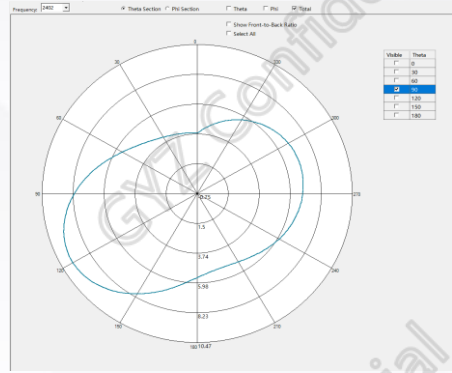
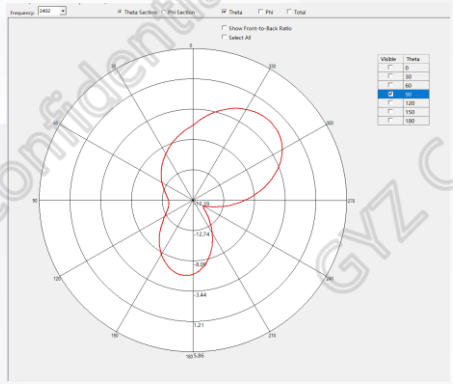


		TRP	TIS
1号机器	0	5.75	-91.1
	39	6.2	-90.69
	78	6.76	-90.41
2号机器		TRP	TIS
	0	6.04	-91.3
	39	6.09	-90.56
	78	6.49	-89.81



# TX ( CHo ) -2D&3D

**GYZ CONFIDENTIAL**



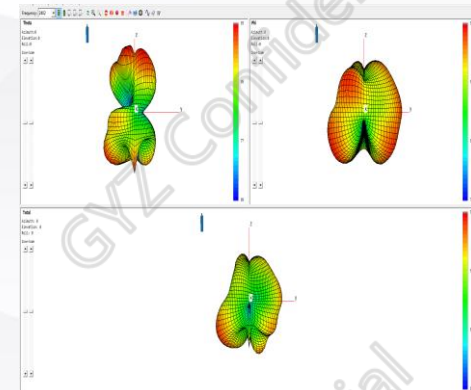
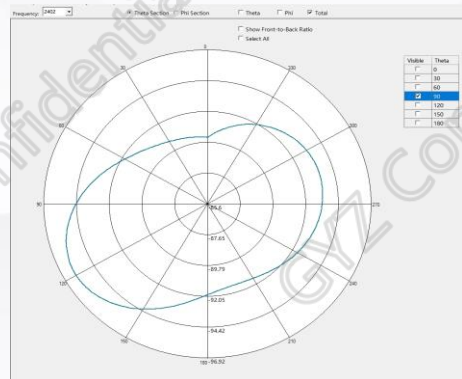
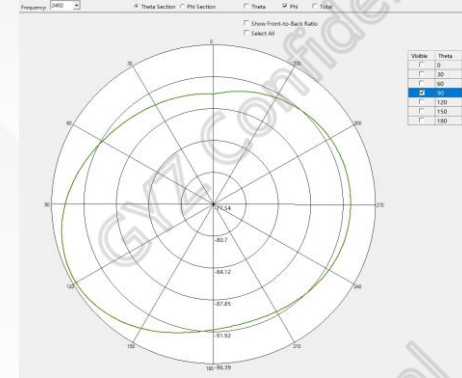
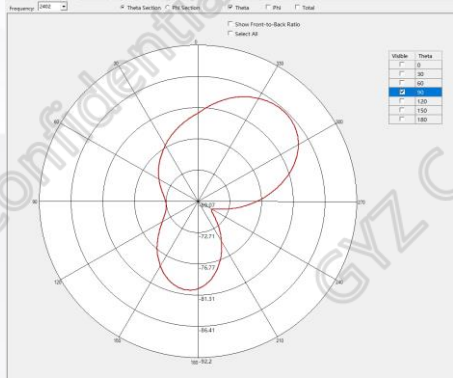




# RX ( CHo ) -2D&3D

**GYZ CONFIDENTIAL**

**GYZ**

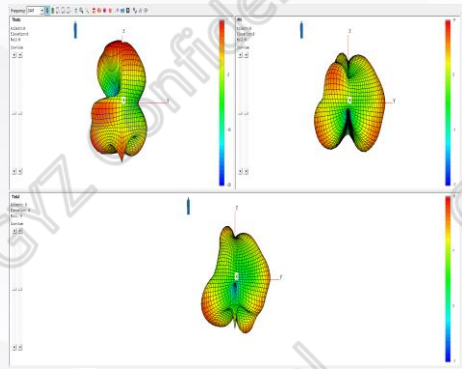
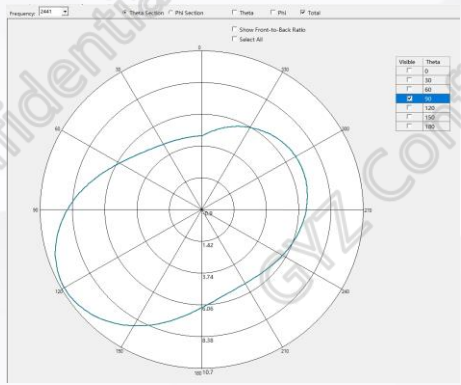
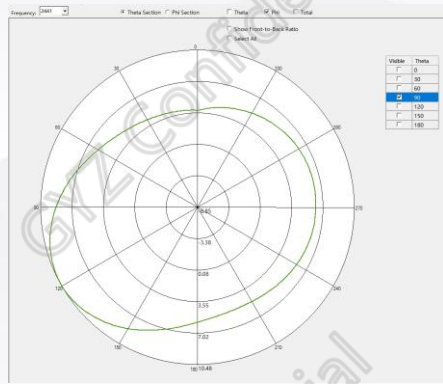
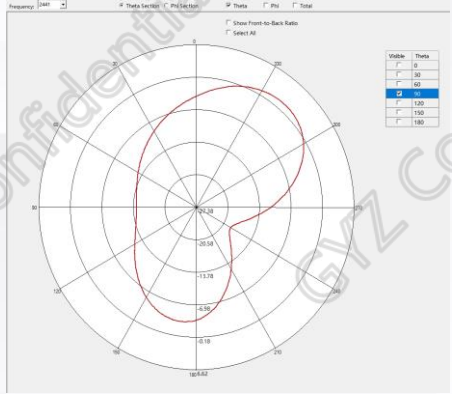




# TX ( CH39 ) -2D&3D

**GYZ CONFIDENTIAL**

**GYZ**

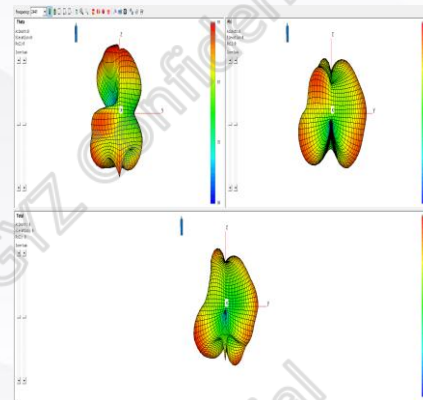
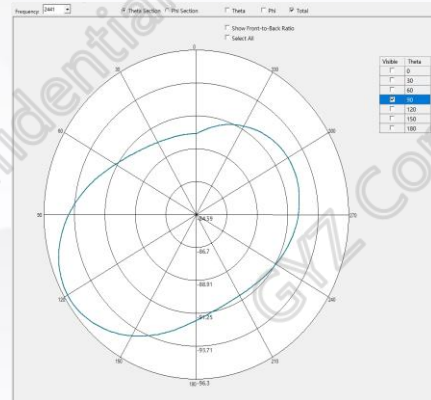
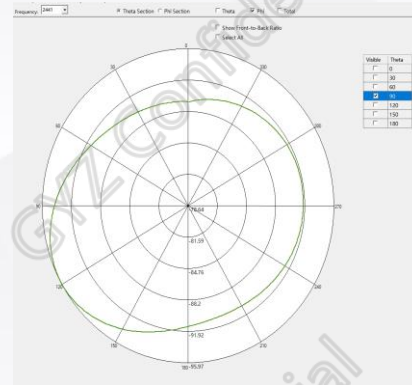
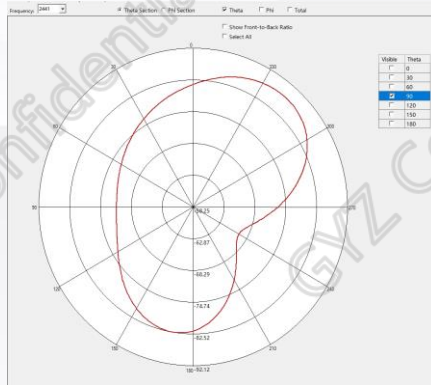




# RX ( CH39 ) -2D&3D

**GYZ CONFIDENTIAL**

**GYZ**

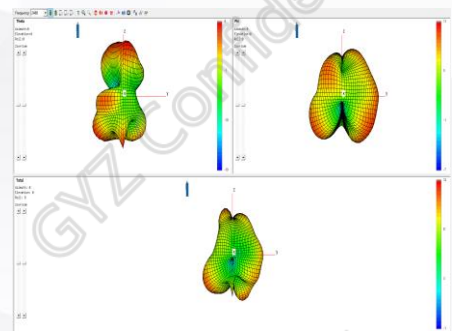
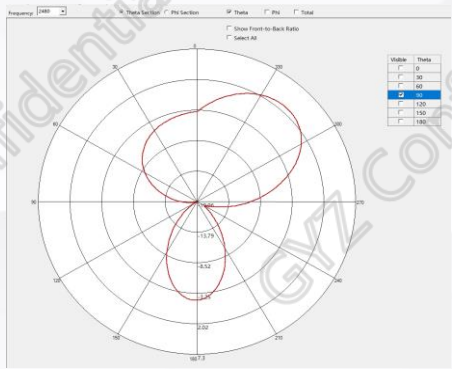
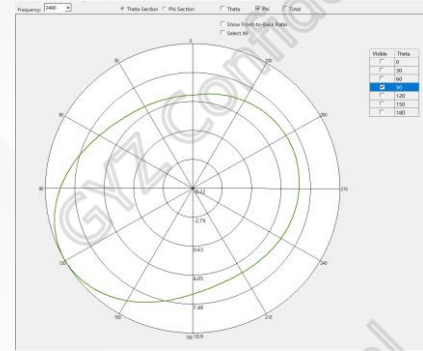
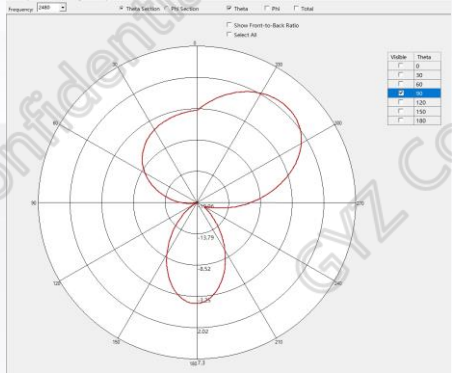




# TX ( CH78 ) -2D&3D

**GYZ CONFIDENTIAL**

**GYZ**

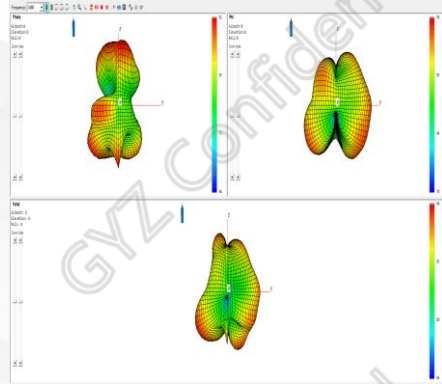
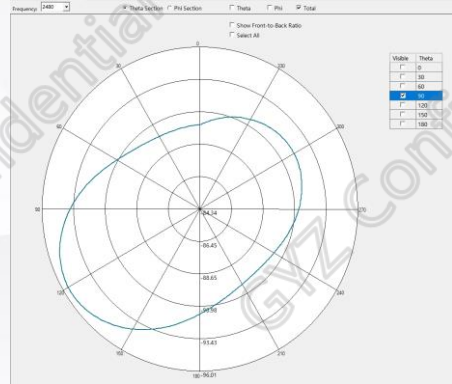
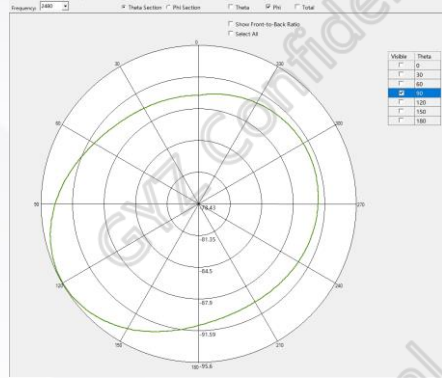
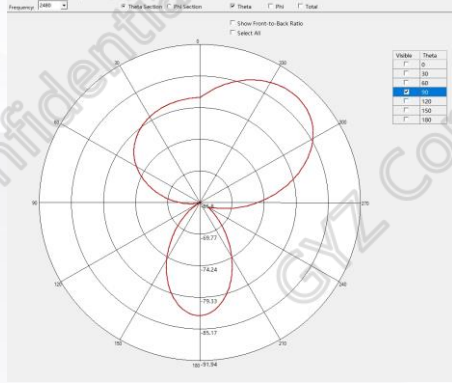




# RX ( CH78 ) -2D&3D

**GYZ CONFIDENTIAL**

**GYZ**





**GYZ CONFIDENTIAL**

**GYZ**

**THANKS!**