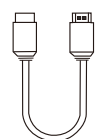


User Manual

Package Contents



Device ×1



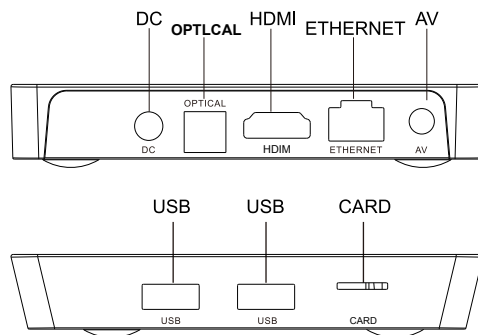
HDMI Cable ×1



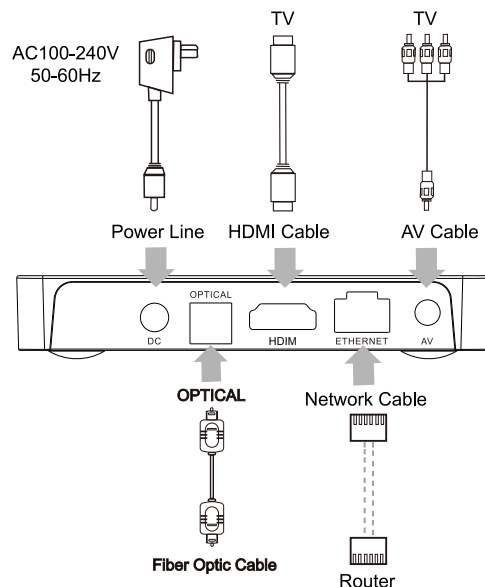
Remote Control ×1



Power Adapter ×1



Connection Diagram



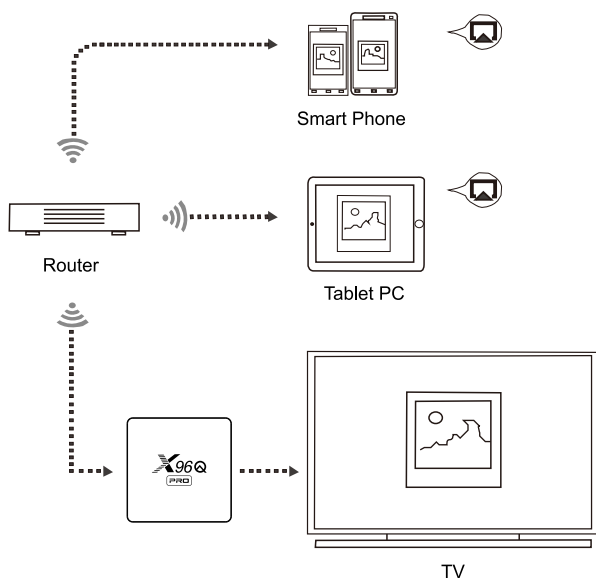
Installation Steps

- 01 Connect the TV Box with the power supply.
- 02 Connect the TV Box to your TV with HDMI cable or AV cable.
- 03 For wired connection, plug in Ethernet cable from the TV Box to your modem or router. For wireless, choose the Wi-Fi network and input the Wi-Fi password.

Key Features

- Allwinner H313 Quad-core ARM Cortex™-A53 CPU, High performance multi-core G31 GPU, support OpenGL ES 1.0/2.0/3.2, Vulkan 1.1, OpenCL 2.0.
- 4K Supports video decoding up to 4K@60fps; Supports multi-formats: H.265 Main 10@L5.1 up to 4K@60fps.
- 10/100M Ethernet, 802.11b/g/n 2.4G/5G WiFi.
- OS Android 10 OS, OTA upgrade support.
- 8888 Digital clock display.

Multi-screen Interaction



The Screen Casting

Introduction:
The TV Box lets you play photos, music, and videos from your smart phone or tablet computer on your TV.

Preparation:
Make sure your device(s) and TV Box are connected to the same network.

How to use:
After your device(s) and TV Box are connected to the same network, the logo will show up in the related applications of your device(s). Click the and share the photos, music and videos on TV.

Warning 1: Changes or modifications to this unit not expressly approved by the party responsible for compliance could void the user's authority to operate the equipment.

Warning 2: When using an external display, please keep a sufficient distance to avoid eye fatigue and discomfort. It is recommended to keep at least 40cm.

This device complies with part 15 of the FCC Rules. Operation is subject to the following two conditions: (1) This device may not cause harmful interference, and (2) this device must accept any interference received, including interference that may cause undesired operation.

FCC Statement: This equipment has been tested and found to comply with the limits for a Class B digital device, pursuant to part 15 of the FCC Rules. These limits are designed to provide reasonable protection against harmful interference in a residential installation. This equipment generates, uses and can radiate radio frequency energy and, if not installed and used in accordance with the instructions, may cause harmful interference to radio communications. However, there is no guarantee that interference will not occur in a particular installation. If this equipment does cause harmful interference to radio or television reception, which can be determined by turning the equipment off and on, the user is encouraged to try to correct the interference by one or more of the following measures:
—Reorient or relocate the receiving antenna.
—Increase the separation between the equipment and receiver.
—Connect the equipment into an outlet on a circuit different from that to which the receiver is connected.
—Consult the dealer or an experienced radio/TV technician for help.

RF exposure compliance statement:
This device has been evaluated to meet the general RF exposure requirement