

Radiance instruments Ltd.

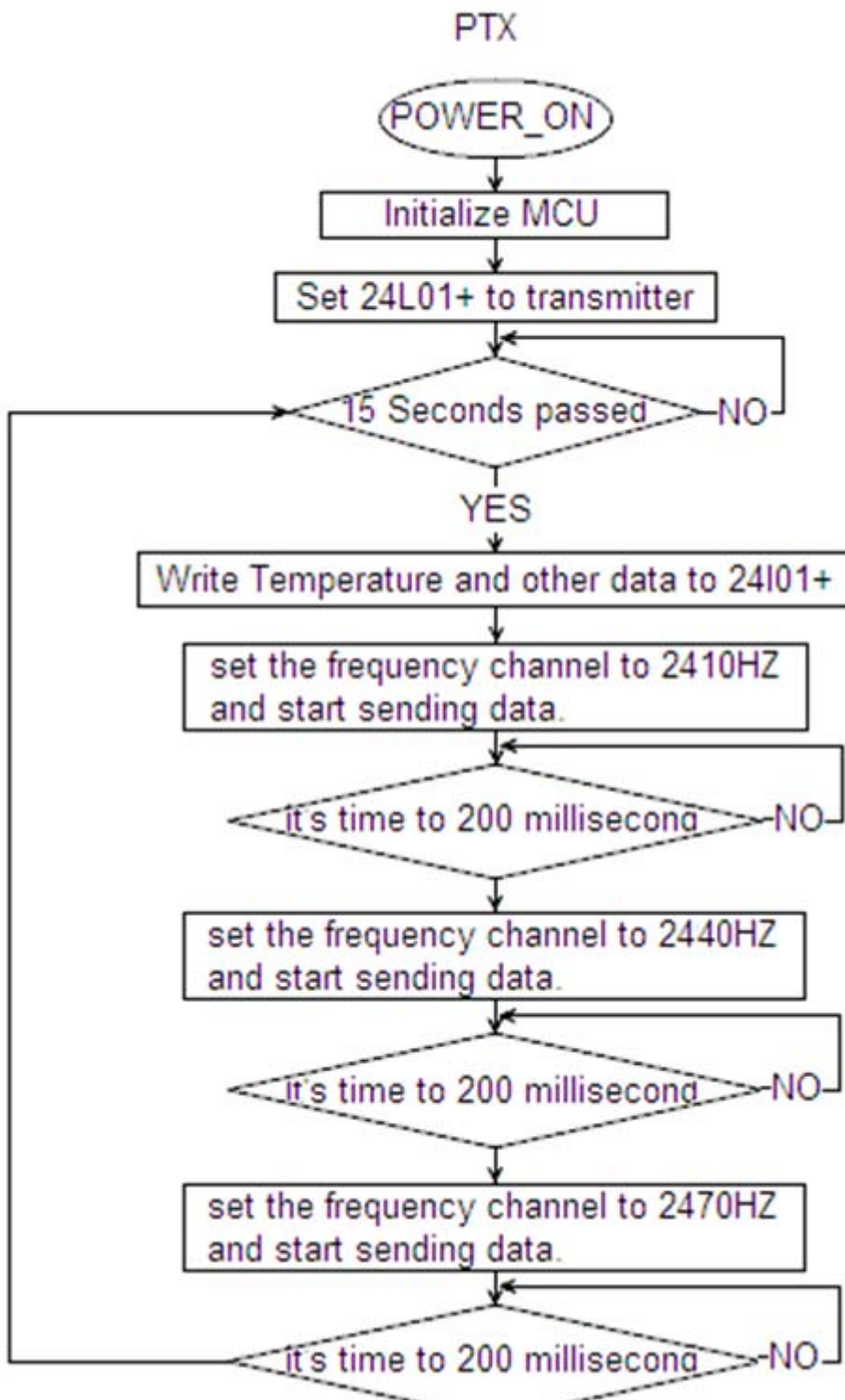
Da Jing Village, Si Jiao Lou, Luo Yang Town, Hui Zhou City, China Postcode: 516171
Phone: 0752-6831106/6831108 (126) Fax: 0752- 6832319 E-mail: wubz@liheng.net

TMW017 FREQUENCY AND HOPPING SYSTEM

1. Frequency List, fixed frequency hopping of frequency points:
2.410GHZ, 2.440GHZ, 2.470GHZ.

2. Pseudorandom Hopping Algorithm Information:

Transmitter:



Receiver:

