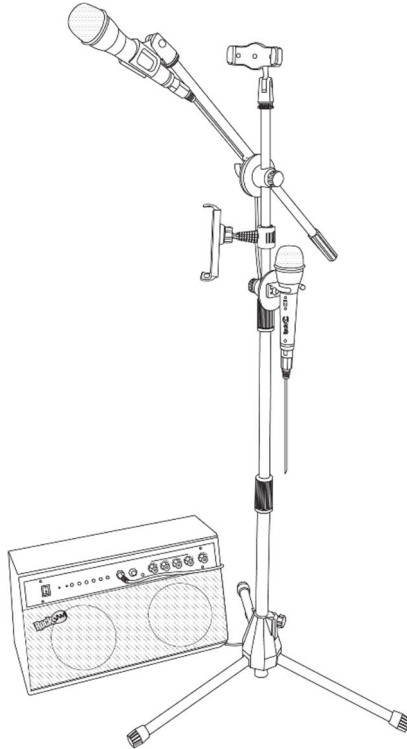




## Karaoke Super Kit

RJKSK

---



### User Guide

Please read this user guide first before operating the Karaoke Super-Kit and save it for future reference.

Congratulations on your purchase of this RockJam Karaoke Super-Kit.

To get the most from your purchase, please take a few minutes to read these instructions.

# Warnings

This product is designed primarily for indoor use. Do not expose to rain or other kinds of moisture as that could lead to irreparable damage and the risk of electric shock.

Do not open the Amplifier casing under any circumstance. This could lead to damage or risk of electric shock.

## Important Safety Instructions

1. Read instructions - All the safety and operating instructions should be read before the appliance is operated
2. Retain instructions - The safety and operating instructions should be retained for future reference.
3. Heed Warnings - All warnings on the appliance and in the operating instructions should be adhered to.
4. Follow instructions - All operation and use instructions should be followed.
5. Water and Moisture - The appliance should not be used near water; for example, near a bathtub, washbowl, kitchen sink, laundry tub, in a wet basement, or near a swimming pool, and the like. Risk of electric shock if the unit gets wet.
6. Heat - The appliance should be situated away from heat sources such as radiators, stoves or other appliances that produce heat.
7. Power Sources - The appliance should be operated from a power supply only of the type described in the operating instructions or as marked on the appliance.
8. Power Cable – Only use the power cable and fused plug supplied to power the unit.
9. Cleaning - The appliance should be cleaned only with a lightly dampened cloth. Do not use solvents that will damage the plastics finish.
10. Long Periods of Non-Use - The Karaoke Super Kit should be unplugged when left unused for a long period of time.
11. Object and Liquid Entry - Care should be taken so that objects do not fall, and liquids are not spilled into the enclosure through openings. Risk of electric shock if the unit gets wet.

12. Damage Requiring Service - The appliance should be serviced by qualified service personnel when:

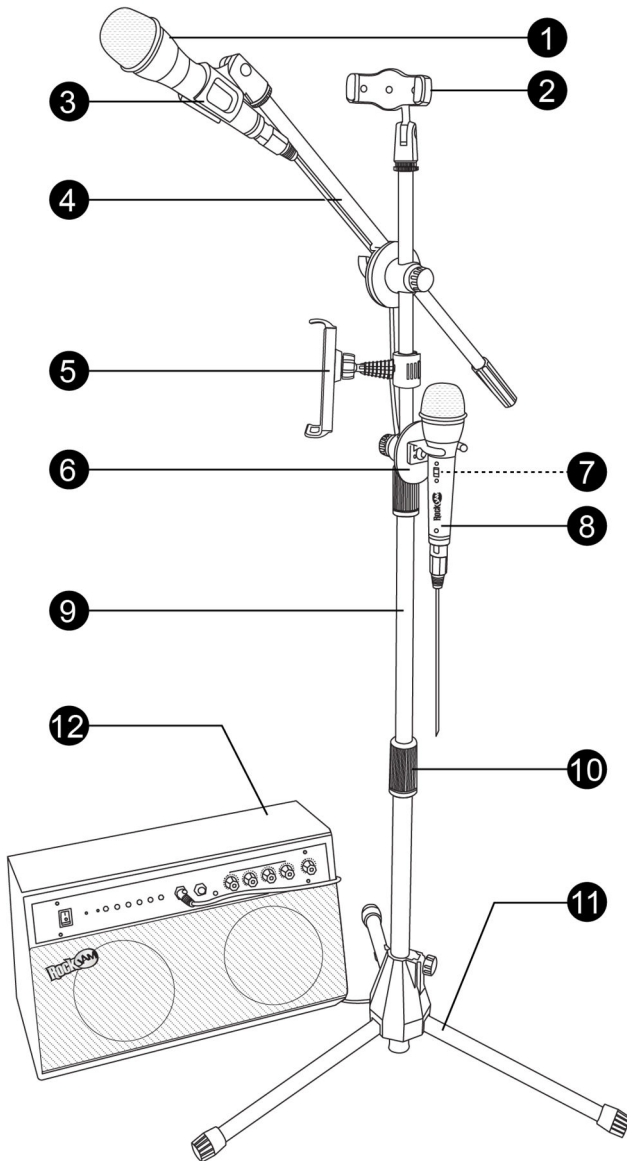
- The power cable has been damaged; or
- Objects have fallen, or liquid has been spilled into the appliance; or
- The appliance has been exposed to rain; or
- The appliance does not appear to operate normally or exhibits a marked change in performance; or
- The appliance has been dropped, or the enclosure damaged.

13. Servicing - The user should not attempt to service the appliance beyond that described in the operating instructions. All other servicing should be referred to qualified service personnel.

## Index

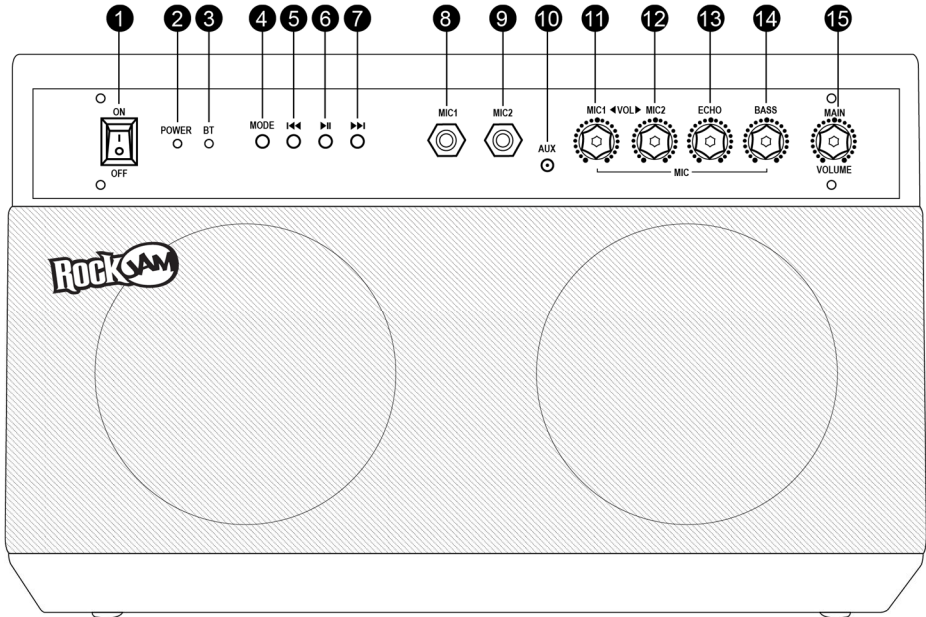
Warnings.....	1
Important Safety Instructions .....	1
Location of Main Parts .....	4
Location of Controls on the Bluetooth Amplifier.....	5
Initial Setup .....	6
Unpacking .....	6
Microphone Stand Assembly .....	6
Operation.....	8
Switching the Amplifier On/Off.....	8
Bluetooth Operation.....	8
Volume Control .....	8
Listening to your iPhone, iPod, MP3 player, Media Player etc. (AUX IN).....	9
Using the Microphones .....	9
Using the Phone and Tablet Holders.....	9
Troubleshooting Guide .....	10
No power.....	10
No sound – Bluetooth mode .....	10
No sound – AUX IN mode.....	10
No sound from the microphone.....	10
Bluetooth device pairing problems.....	11
Other Bluetooth problems .....	11
Finding Karaoke Videos to Sing Along to .....	11
Product Disposal Instructions .....	12
FCC Compliance Statement.....	12
Specifications.....	13

## Location of Main Parts

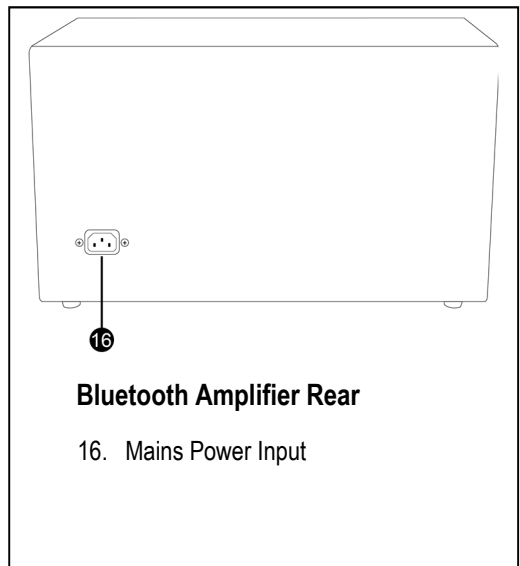


1. Microphone
2. Phone Holder
3. Microphone Holder
4. Mic Boom Arm
5. Tablet Holder
6. Spare Mic Holder
7. Mic ON/OFF Switch
8. Second Microphone
9. Adjustable Mic Stand
10. Mic Stand Connector
11. Mic Stand Legs
12. Bluetooth Amplifier

# Location of Controls on the Bluetooth Amplifier



1. Power ON/OFF
2. Power LED Indicator
3. Bluetooth Mode Indicator
4. Mode Selection Button
5. Skip Back
6. Play/ Pause
7. Skip Forward
8. MIC 1 Input Socket
9. MIC 2 Input Socket
10. AUX IN Socket
11. MIC 1 Volume Control
12. MIC 2 Volume Control
13. MIC 1&2 Echo Control
14. MIC 1&2 BASS Control
15. Master Volume Control



# Initial Setup

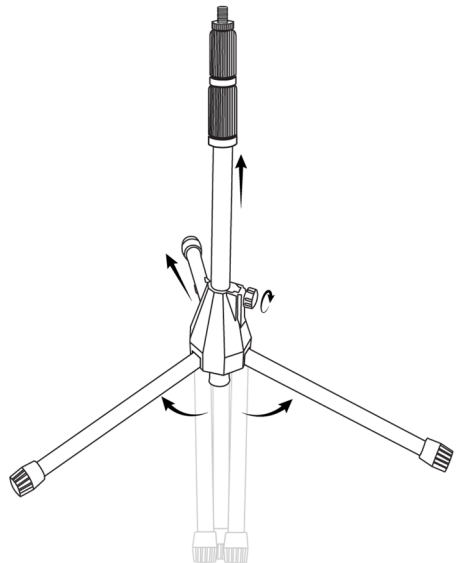
## Unpacking

Unpack the Karaoke super-kit carefully. We recommend that you save the box and packing materials in case you wish to store the product. Before setting up the unit, verify that the following accessories are present:

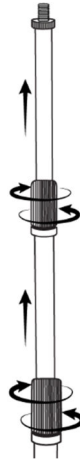
- 1 x Microphone Stand
- 1 x Bluetooth Amplifier
- 1 x Tablet Holder
- 1 x Phone Holder
- 2 x Wired Metal Microphones
- 1 x Boom Arm with Mic Holder Attachment
- 1 x Spare Mic Holder
- 1 x Amplifier Power Cable
- 1 x User Guide

## Microphone Stand Assembly

Open out the microphone stand legs so that the stand is supported on the ground. Extend the central tube to the highest setting and tighten into place by turning the screw at the base clockwise.

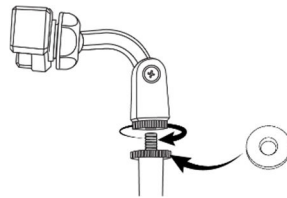


Turn the mic stand connectors anti-clockwise one at a time to loosen and then extend the central tube to the preferred height. Turn the connector clockwise to tighten into place. The accessories will be added onto the top section of the mic stand so you may want to keep this section at its maximum height.

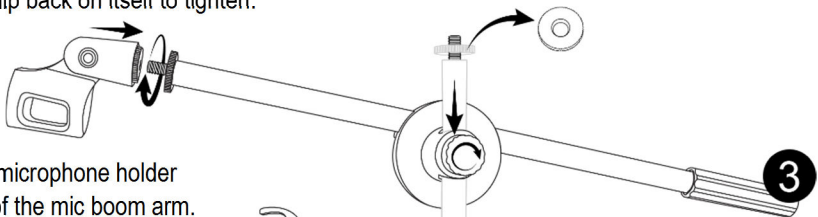


To add the accessories, first remove the washer at the top of the mic stand by turning anti-clockwise. Keep this safe.

**1** Slide on the spare mic holder. Use the screw at the back to fix this into place.

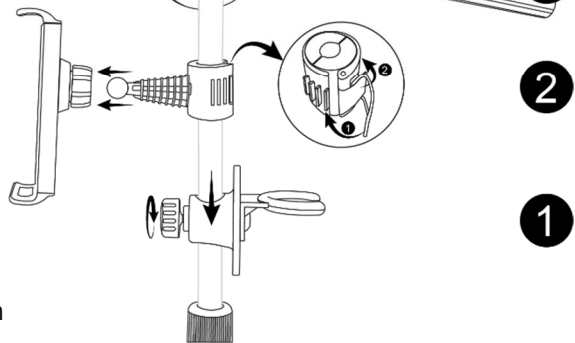


**2** Connect the tablet holder to the mic stand attachment. Place into position on the mic stand and secure by hooking the loop around the first notch and then pressing the clip back on itself to tighten.



**3** Screw the microphone holder onto the end of the mic boom arm. Then slide the arm onto the mic stand. Adjust to the preferred angle and then tighten this in place using the knob on the side of the boom arm. Then replace the washer that was removed in the first step

**4** Finally, screw the phone holder into place at the top of the stand and tighten the washer against the phone holder.





# Operation

## Switching the Amplifier On/Off

Connect the Amplifier power cable to the socket at the back of the Amp, then connect the plug to a mains power socket. Locate the power switch on the front of the Amplifier. Press the switch towards “ON” to power on the Amp. The Power LED indicator will light up red. The Amplifier will power up in Aux mode.

To turn the system off, press the switch towards “OFF” and disconnect from the mains socket.

## Bluetooth Operation

The Amplifier included in the Karaoke Super-kit is Bluetooth compatible. Music can be played through the Amp from a compatible Bluetooth device such as a mobile phone or tablet device.

Make sure the Amp is powered on. Press the MODE button until the Bluetooth Mode Indicator flashes blue. A tone will also be heard.

Using your mobile phone or other Bluetooth enabled device, search for Bluetooth devices and select '**RJKSK**' from the list of devices found. The Bluetooth device should then connect to the Amp. The Bluetooth Mode Indicator will become a solid light once successfully connected. You will also hear a connection tone. The Amplifier will then connect automatically with a paired device when it is in Bluetooth mode.

**NOTE:** The music can be controlled using both the buttons on the AMP or the connected device.

## Volume Control

Adjust the connected microphone volume by using the separate MIC 1 and MIC 2 Volume controls.

The overall output (Main Volume) can be adjusted in two ways as follows;

- Adjust the volume on the Bluetooth device, mobile phone, tablet computer, iPad etc.
- Turn the Main Volume control on the front of the Amp up or down.

## Listening to your iPhone, iPod, MP3 player, Media Player etc. (AUX IN)

You can listen to the sound of a connected external audio device such as an iPhone, iPod, or MP3 player by connecting to the AUX IN socket.

To connect to the AUX IN socket – Connect a 3.5mm Aux cable (not included) into the AUX socket located at the front of the Amplifier, and the other end to your audio equipment (iPhone, iPod, MP3, etc). You can skip/ play/ pause and adjust the master volume using both your device and the controls on the front of the Amp.

**NOTE:** In AUX mode the **Play/ Pause** button mutes and unmutes the music. To Fully Pause the track, **use the Pause button on the device connected.**

## Using the Microphones

You can sing along with a friend to any music playing from the Amplifier using the two wired microphones included.

Plug the microphone/s into the microphone socket/s on the front of the Amplifier and slide the microphone power switch to the ON position. Adjust each microphone volume and echo control as desired. If any howling sound occurs, then stand further away from the speaker or reduce the music or microphone volume until the howling stops.

If the second microphone is not being used, this can be stored in the spare microphone holder. Ensure that this is switched off.

**NOTE:** Do not tap or bang the microphone as this can cause damage to both the microphone and speaker. Be careful not to twist or strain the microphone cable and do not swing the microphone by the cable as this will cause irreparable damage.

## Using the Phone and Tablet Holders

The Phone and Tablet holders extend to allow your device to fit securely inside. The following precautions should be taken to ensure your device is placed and removed correctly.

- Before placing any device, make sure that the holders are secured tightly onto the microphone stand.
- Keep hold of the device being placed into the holder until the sides have retracted tightly against the device.
- Keep hold of your device when removing it from the holders.

## **Troubleshooting Guide**

If you encounter any issues while using the RockJam Karaoke Super Kit, then please check the following before contacting the retailer or manufacturer for further help:

### **No power**

- The power is not on; make sure one end of the power cable plug is securely pushed into the socket at the back of the Amp.
- Make sure the Amp is plugged in to a working power outlet and that the power outlet is switched on.

### **No sound – Bluetooth mode**

- Make sure that you are not trying to use Bluetooth while the AUX in cable is connected
- Make sure that the MODE is set on Bluetooth mode and the Bluetooth LED indicator is lit.

### **No sound – AUX IN mode**

- Make sure the 3.5mm jack cable has been fully plugged in.
- Make sure the iPod/ iPhone/ MP3 player is connected properly and that a song is playing.
- Adjust the volume on the audio device.

### **No sound from the microphone**

- Make sure the microphone is firmly connected to the MIC socket.
- Make sure the On/ Off switch on the microphone is set to the On position.
- Make sure the MIC Vol control setting is not set too low.
- Check the Main Volume control is not set to minimum; raise the volume.

## Bluetooth device pairing problems

Mobile phone or Tablet etc. cannot be paired or connected with the Amplifier.

- You may not have not activated the Bluetooth function of your mobile device; refer to the Bluetooth device user guide.
- The speaker is not in pairing mode; switch the system off and then on to restart pairing.
- Another Bluetooth device may be connected; disconnect that device before trying to connect a new Bluetooth device.

## Other Bluetooth problems

The music does not play after successfully connecting to the Amp via with Bluetooth.

- Ensure your Bluetooth device can support the A2DP Bluetooth profile.
- The volume on the external Bluetooth device is set to low or muted; raise the volume of the Bluetooth device as required.
- The Bluetooth audio breaks up. Move the Bluetooth device closer to the Amp or switch off the 'Wi-Fi' on the Bluetooth device as that can sometimes improve the audio playback quality.

## Finding Karaoke Videos to Sing Along to

'Karaoke videos' can be found easily by searching online using a search provider such as Google. YouTube is also a great source for Karaoke videos.

A good source of content:

<https://www.youtube.com/user/TheKARAOKEChannel>

Disclaimer: PDT Ltd. is not responsible for any content on 'The KARAOKE Channel'

## Product Disposal Instructions

The symbol shown here and, on the product, means that the product is classed as Electrical or Electronic Equipment and should not be disposed with other household or commercial waste at the end of its working life. The Waste Electrical and Electronic Equipment (WEEE) Directive (2002/96/EC) has been put in place to encourage the recycling of products using best available recovery and recycling techniques to minimise the impact on the environment, treat any hazardous substances and avoid the increase of landfill. When you have no further use for this product, please dispose of it using your local authority's recycling processes. For more information please contact your local authority or the retailer where the product was purchased.



## FCC Compliance Statement

This device complies with Part 15 of the Federal Communications Commission (FCC) Rules. Operation is subject to the following two conditions: This device may not cause harmful interference. This device must accept any interference received, including interference that may cause undesired operation.



### CAUTION:

Changes or modifications to this unit not expressly approved by the party responsible for compliance could void the user's authority to operate this equipment.

This equipment has been tested and found to comply with the limits for a Class B digital device, pursuant to Part 15 of the FCC Rules. These limits are designed to provide reasonable protection against harmful interference in a residential installation. This equipment generates, uses, and can radiate radio frequency energy and, if not installed and used in accordance with the manufacturer's instructions, may cause interference harmful to radio communications.

There is no guarantee, however, that interference will not occur in a particular installation. If this equipment does cause harmful interference to radio or television reception, which can be determined by turning the equipment off and on, the user is encouraged to try to correct the interference by one or more of the following measures:

Reorient or relocate the receiving antenna. Increase the separation between the equipment and receiver.

Connect the equipment to an outlet on a circuit different from that to which the receiver is connected. Consult the dealer or an experienced radio or TV technician for help.

# Specifications

## AUDIO

OUTPUT POWER (MAXIMUM).....	100W PMPO
SPEAKER FULL RANGE DRIVER IMPEDANCE.....	2 x 4 Ohms
FREQUENCY RESPONSE.....	150Hz - 15kHz

## BLUETOOTH

Working Distance.....Up to 10 metres in open space (less indoors)

## MISCELLANEOUS

Supply Input (UK / EU Version) .....	220 - 240V AC, 50 Hz
Supply Input (USA / Canada Version).....	120V AC, 60 Hz
Dimensions (Amplifier Part).....	40 L x 20 W x 27 H cm
Dimensions (Stand Part).....	50 L x 50 W x 119 – 150 H cm
Weight.....	6.5 kg

Specifications are subject to change without notice.

iPod and iPhone are trademarks of Apple Inc. registered in the U.S. and other countries.

RockJam is a trademark of PDT Ltd. registered in the UK and USA

PDT Ltd. Unit 4B, Greengate Industrial Estate, White Moss View, Middleton,  
Manchester M24 1UN, United Kingdom