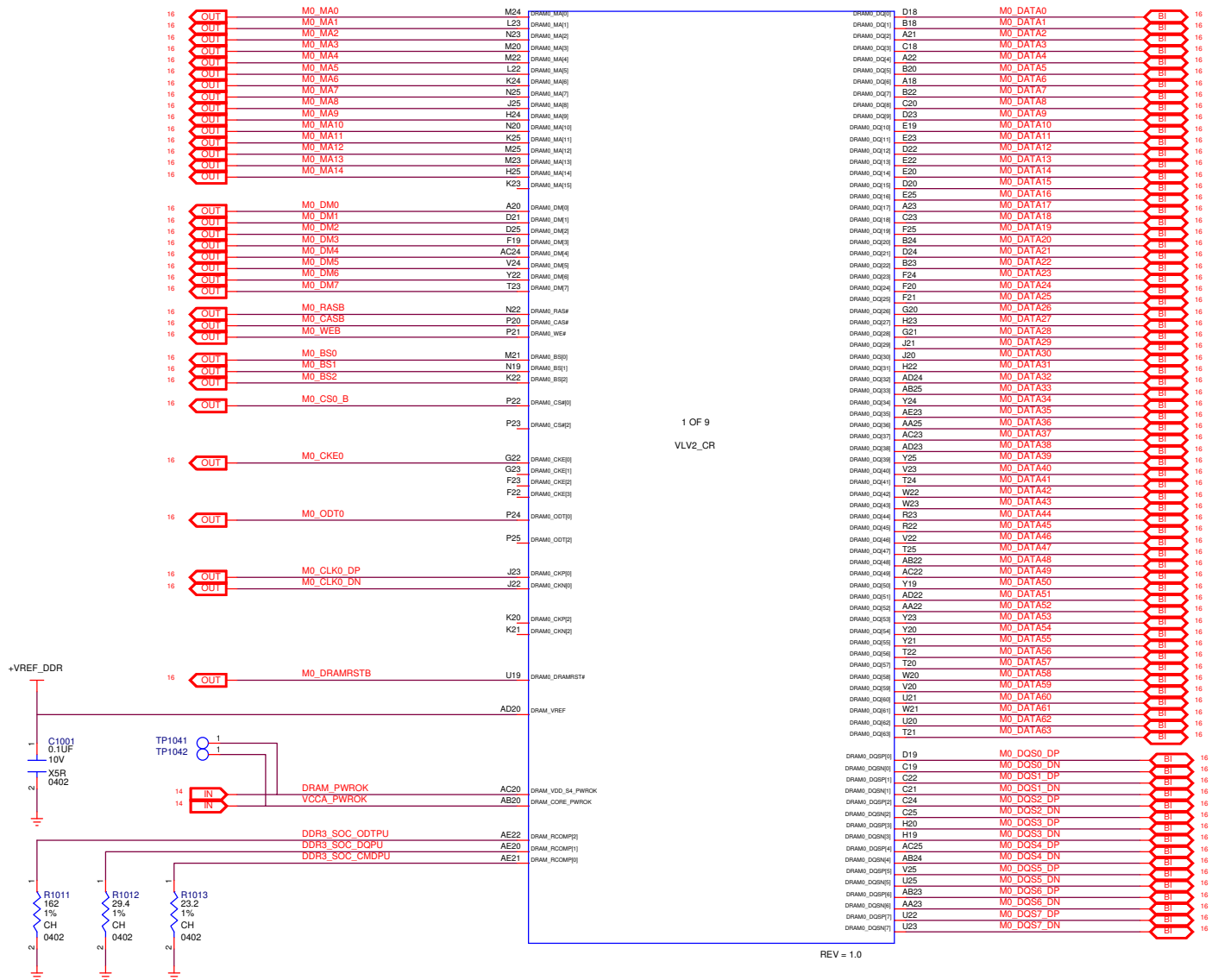
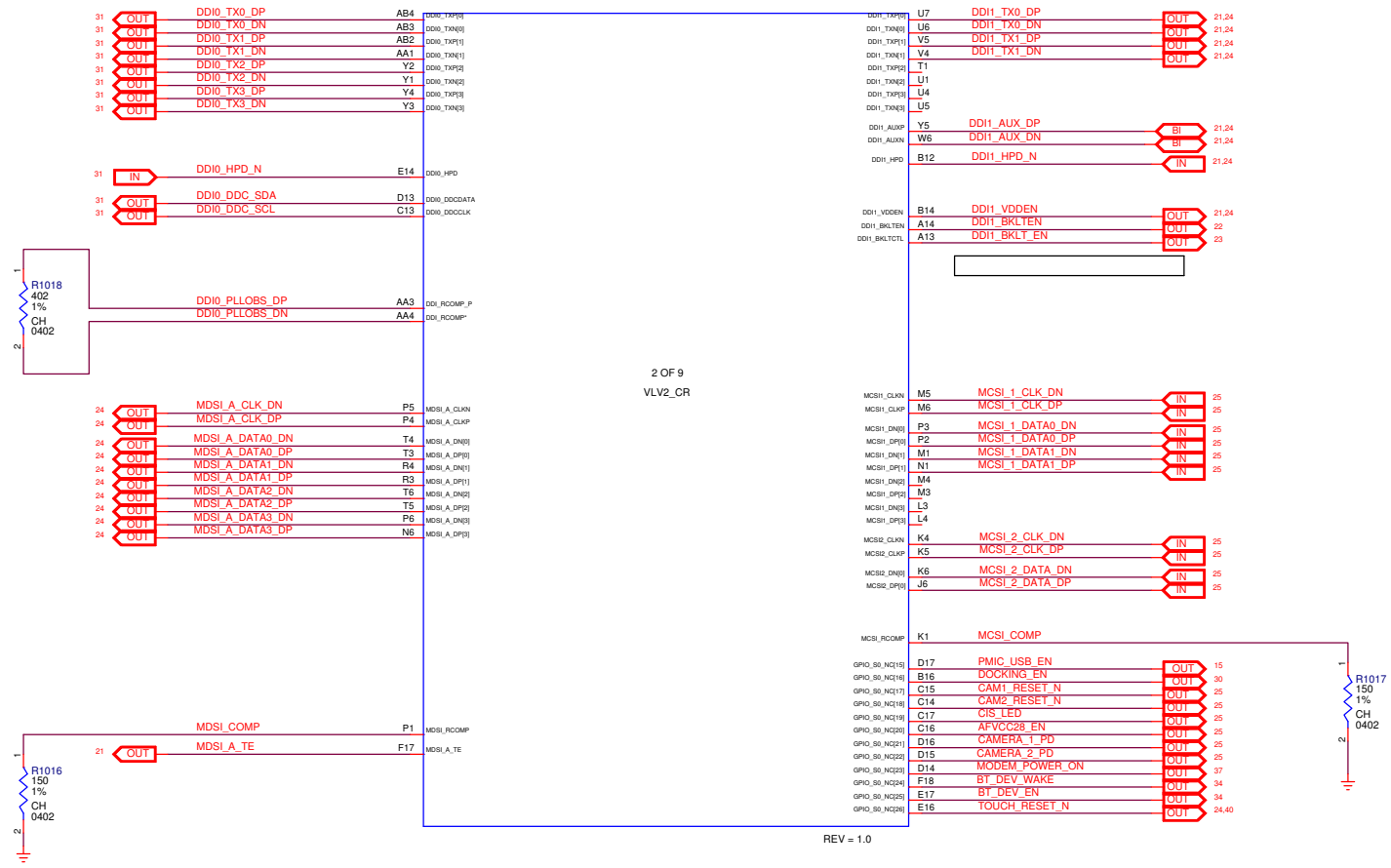


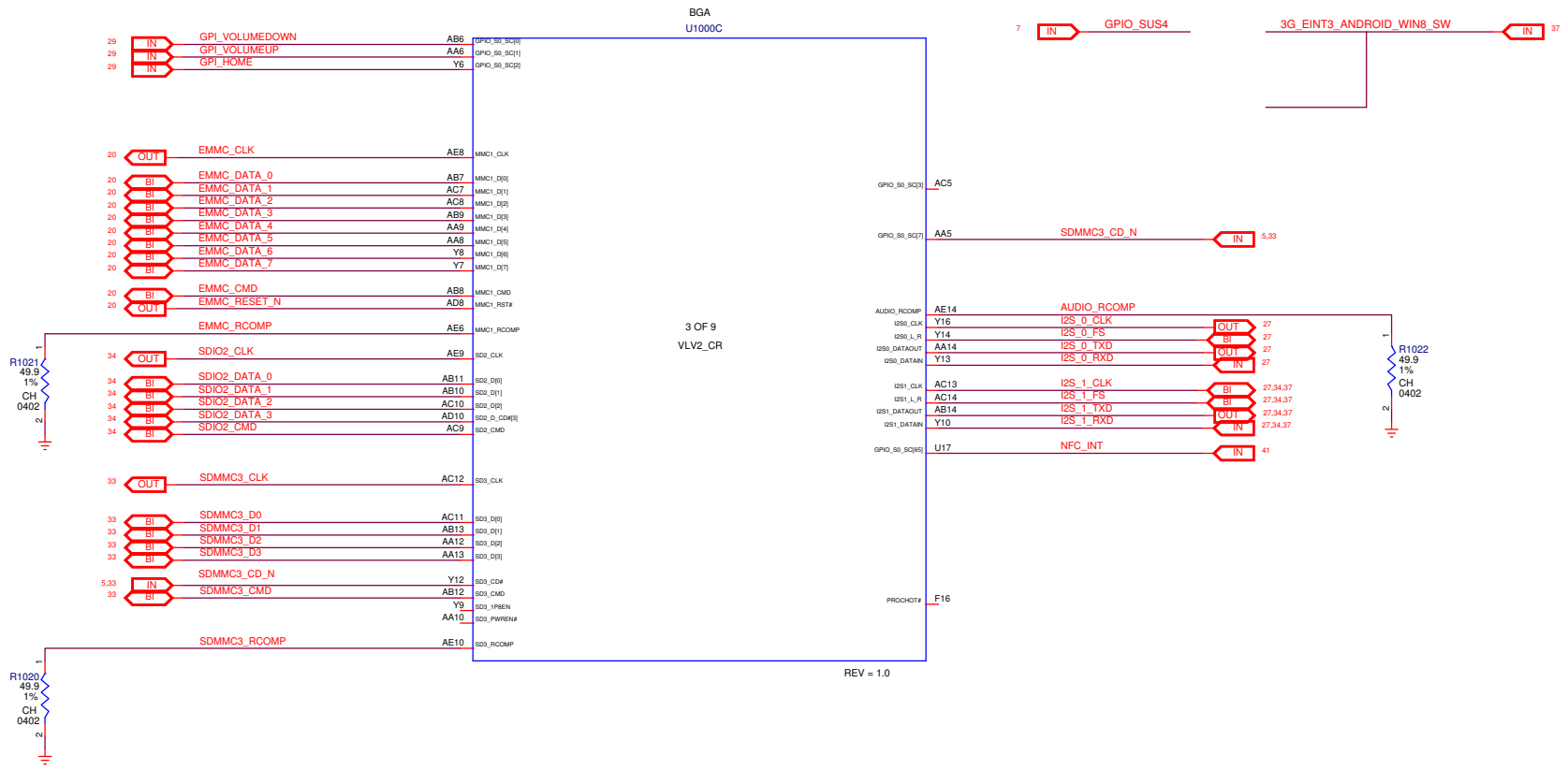
BGA
U1000A



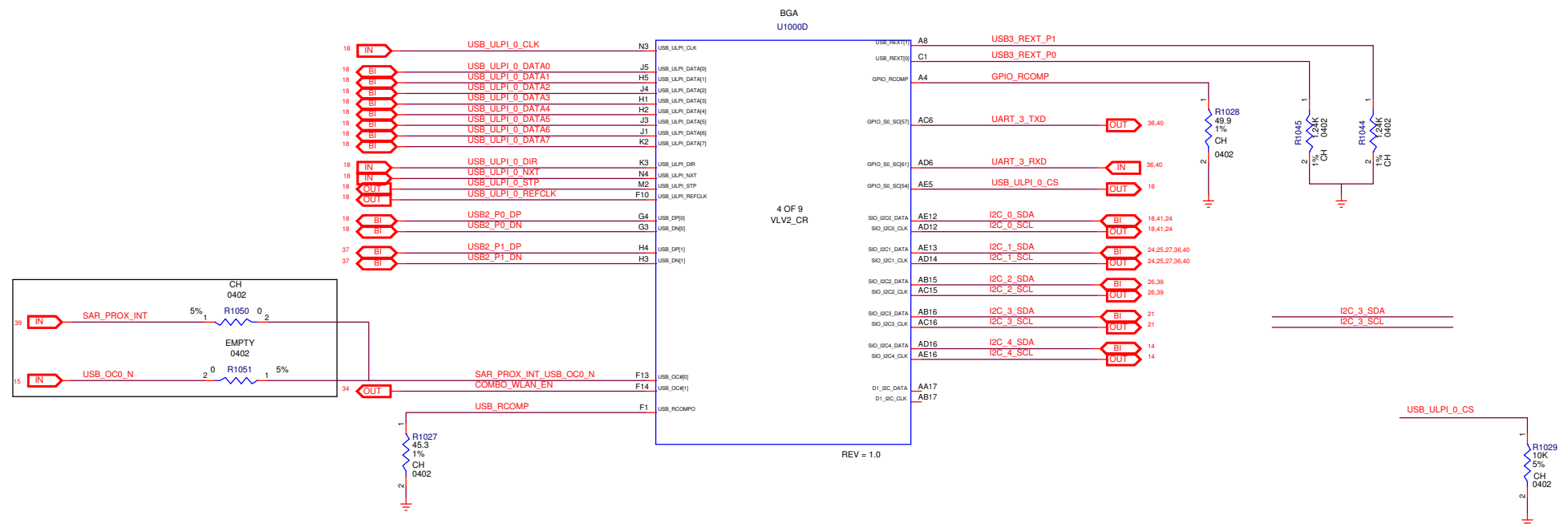
BGA
U1000B

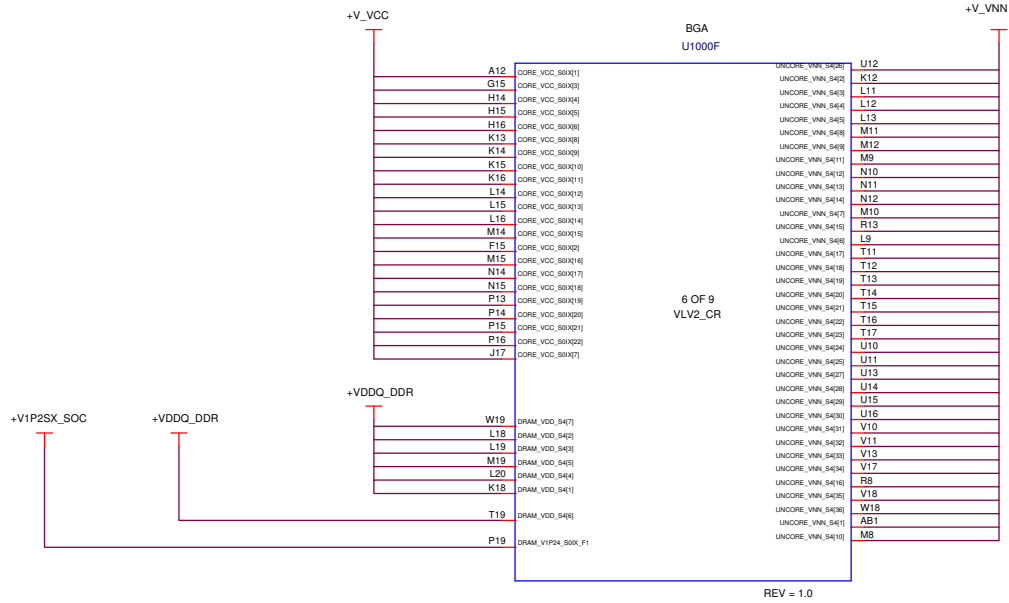


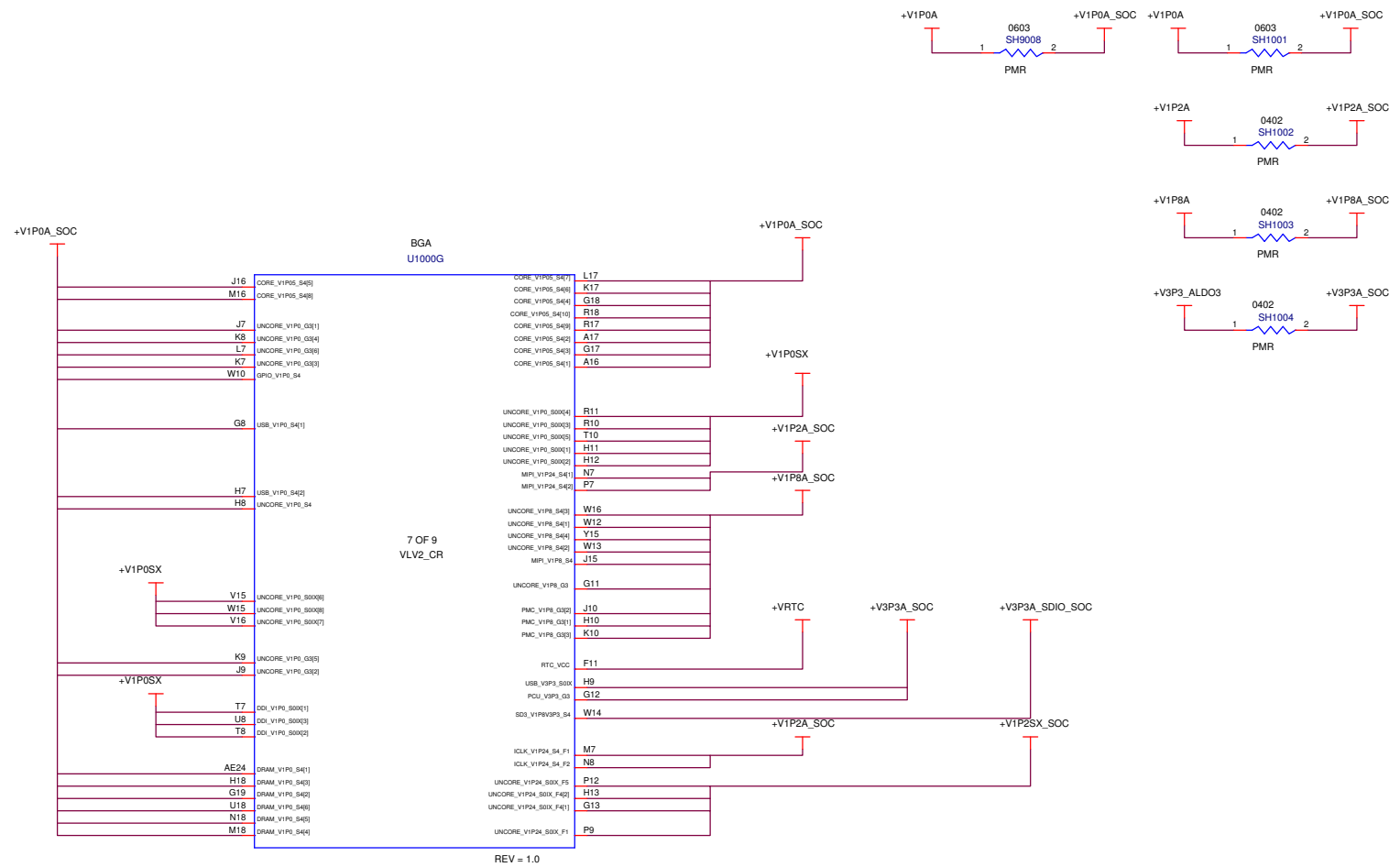
2 OF 9
VLV2_CR

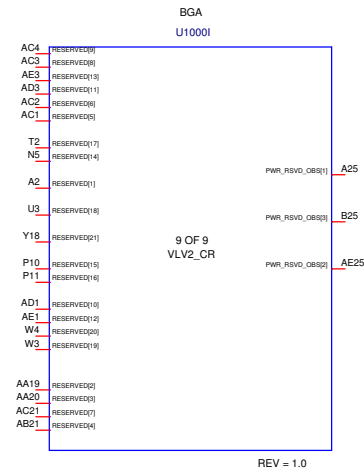
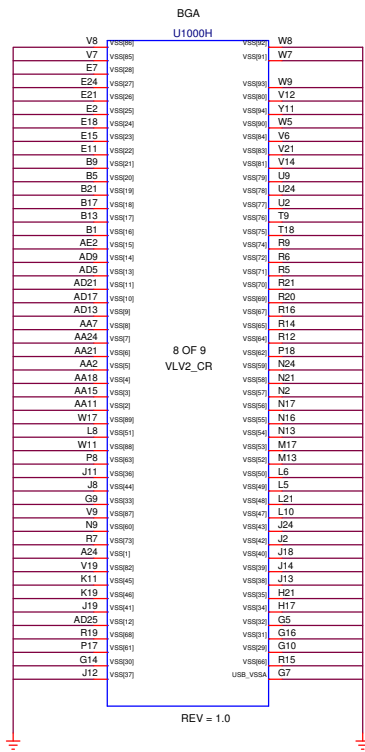


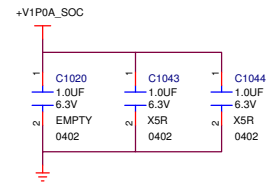
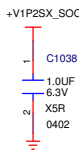
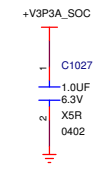
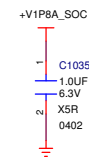
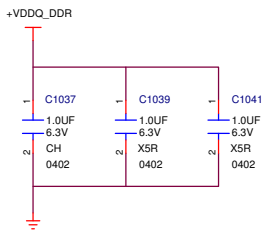
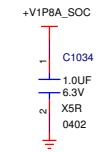
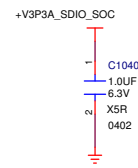
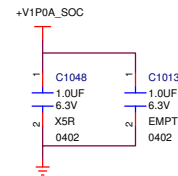
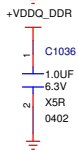
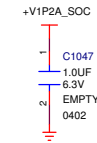
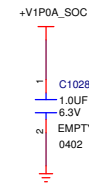
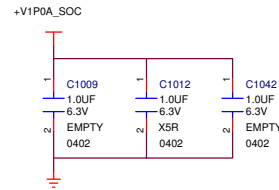
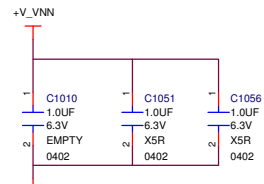
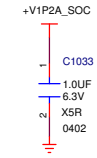
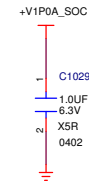
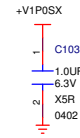
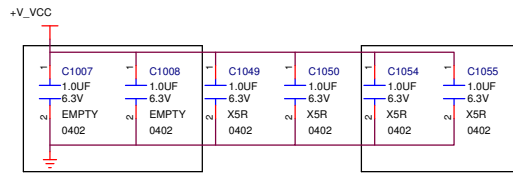
REV = 1.0

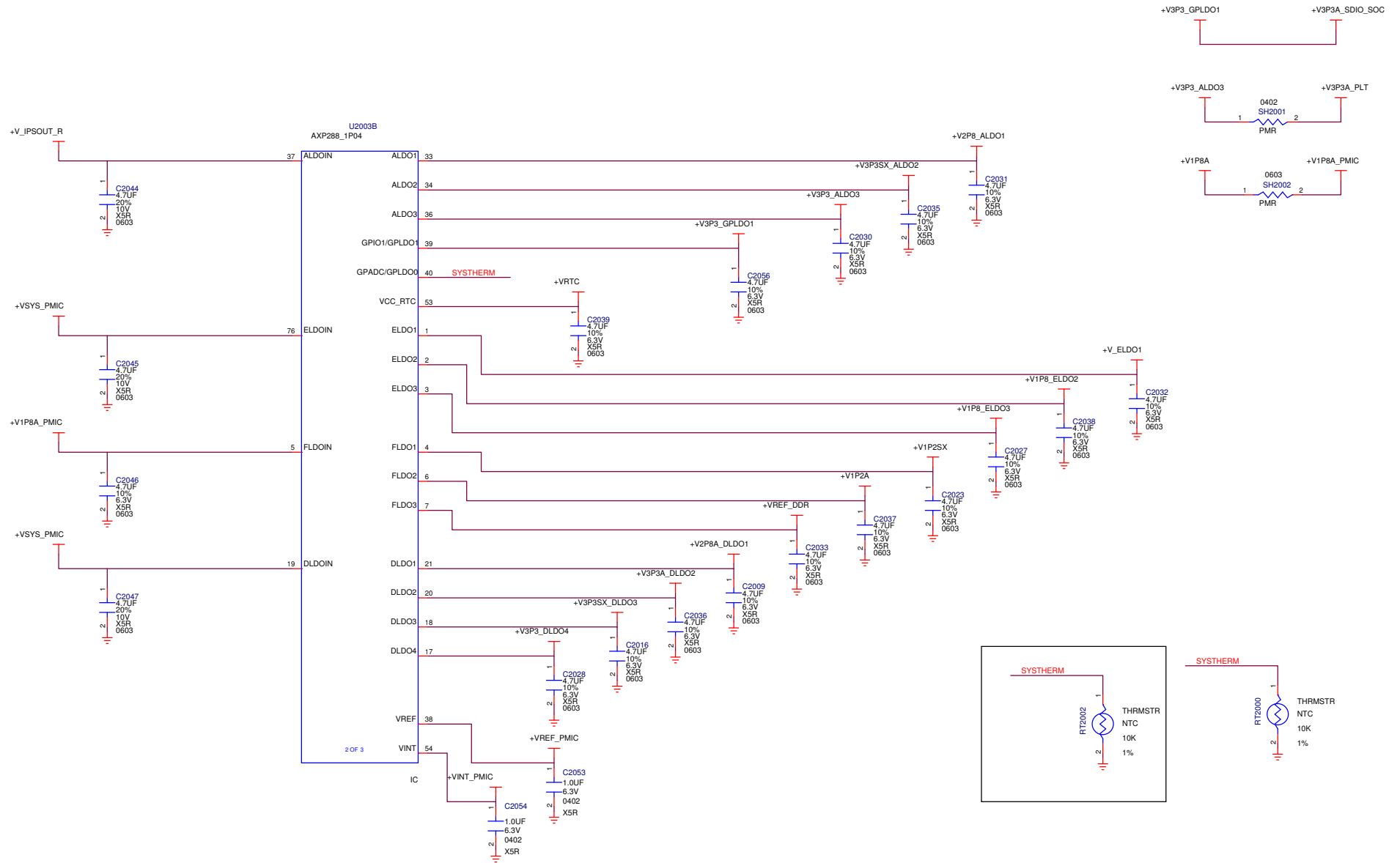


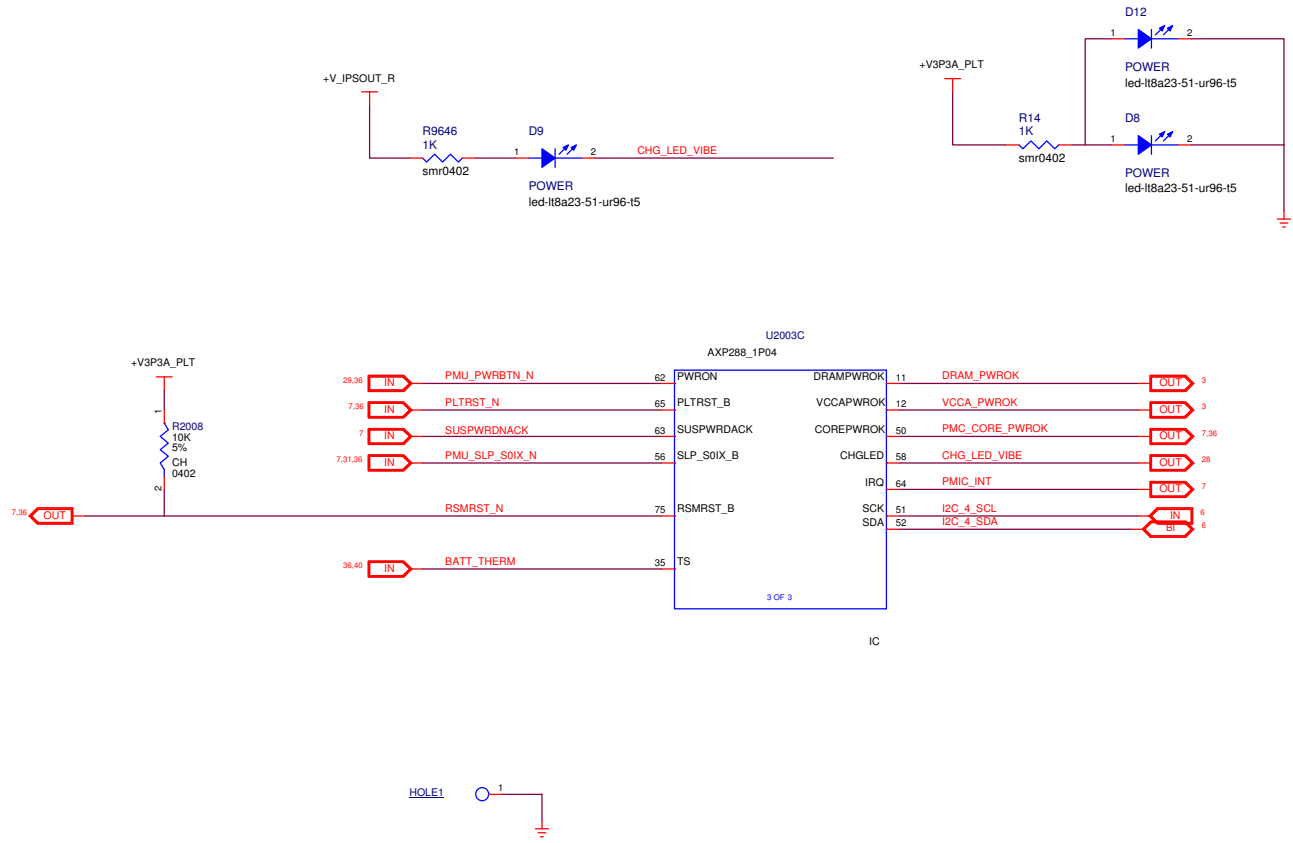


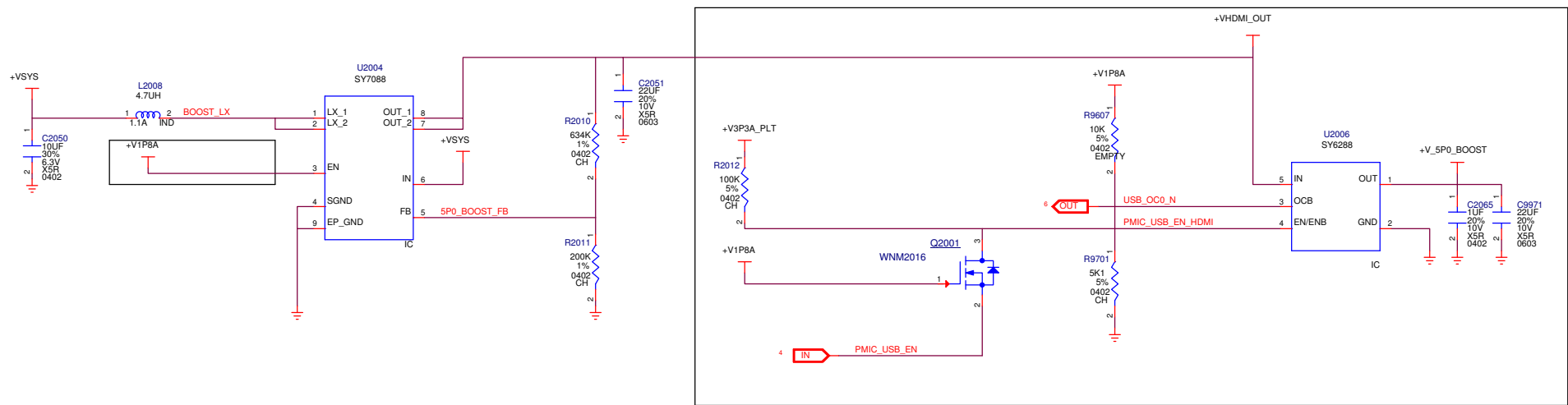


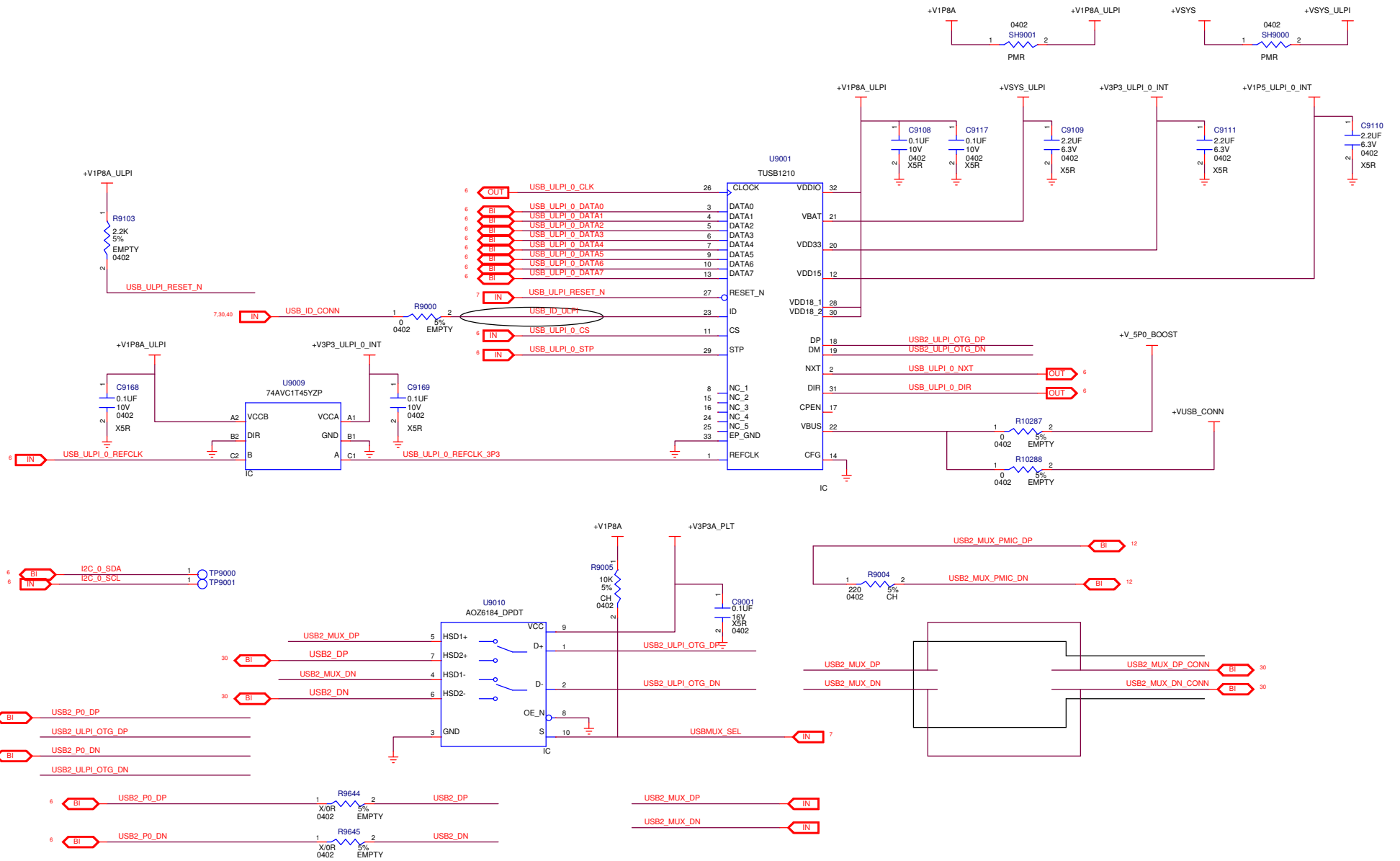


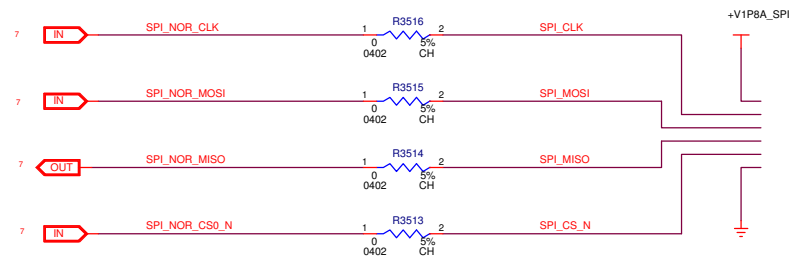
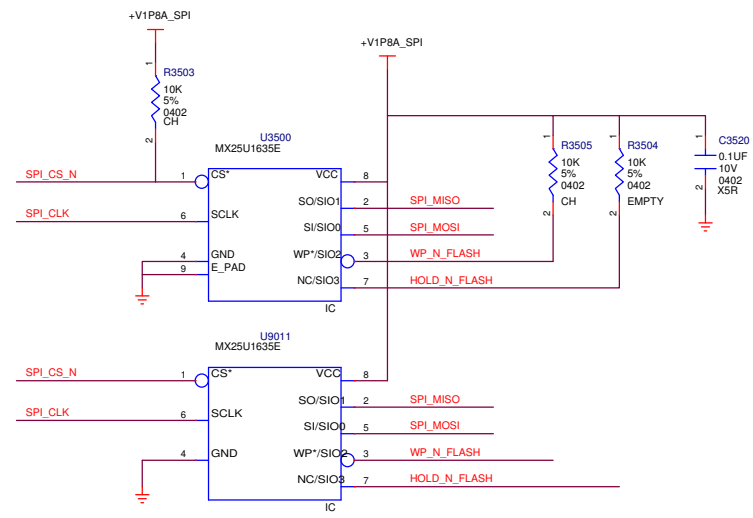
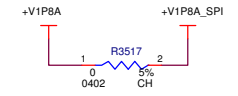


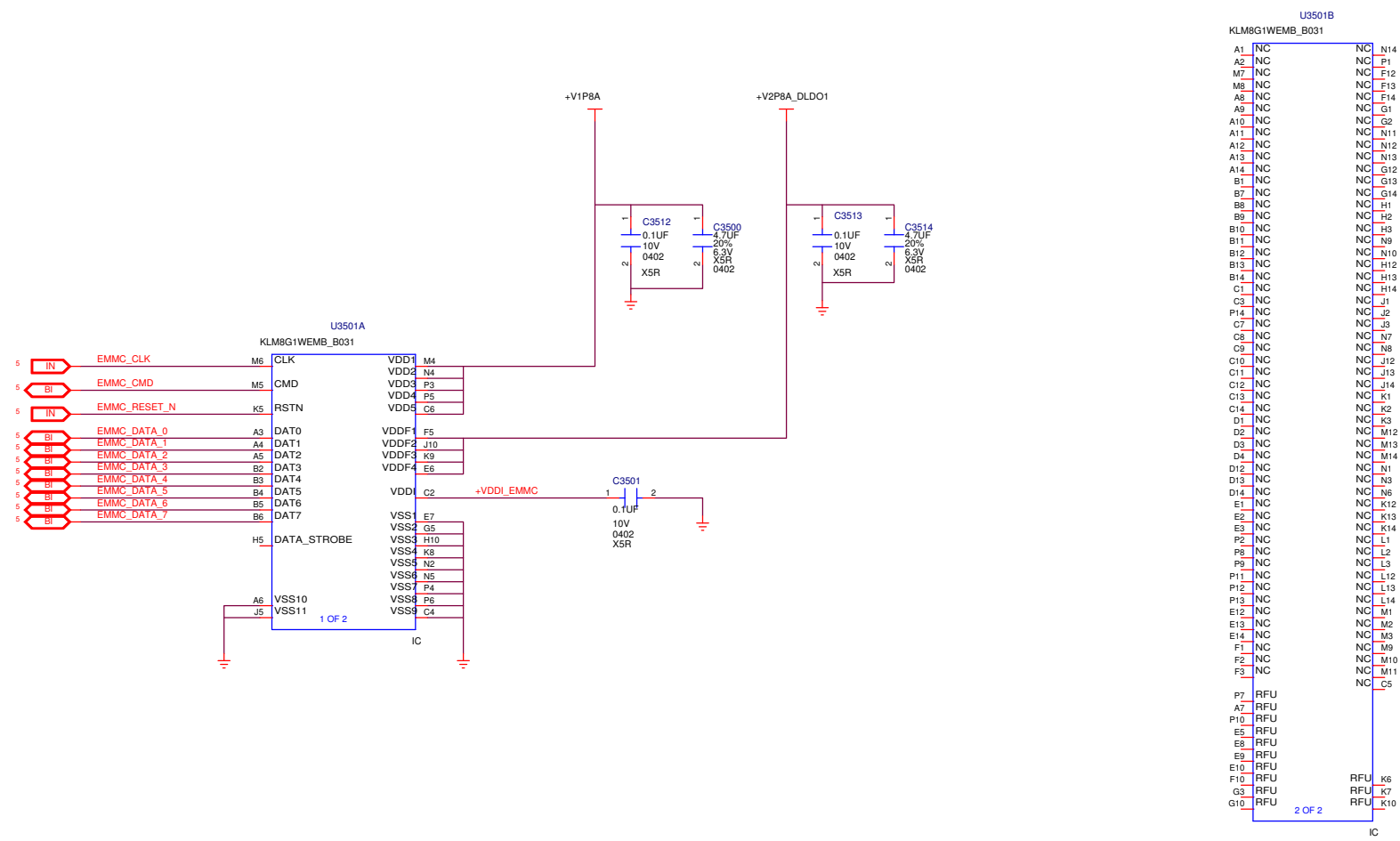








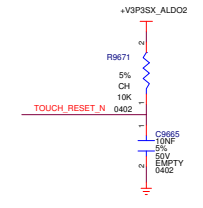
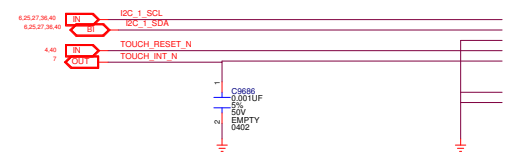
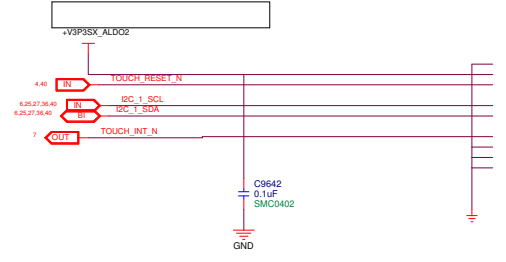
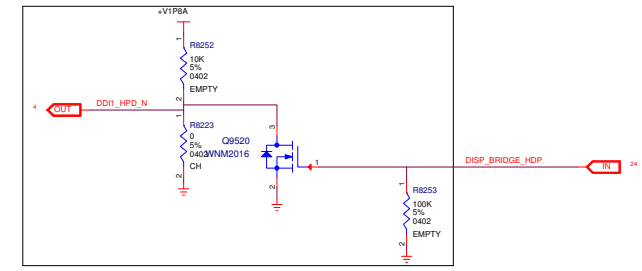
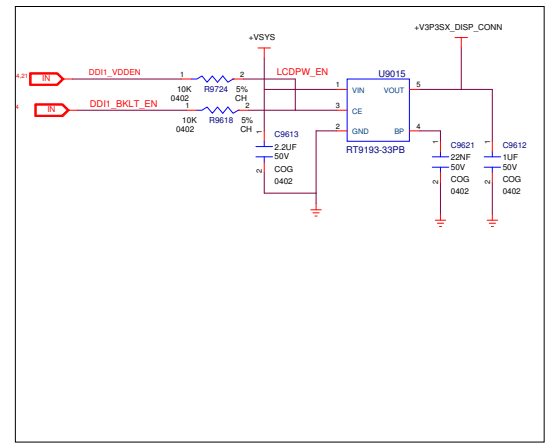
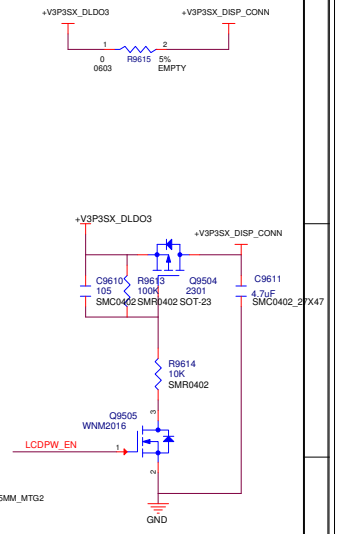
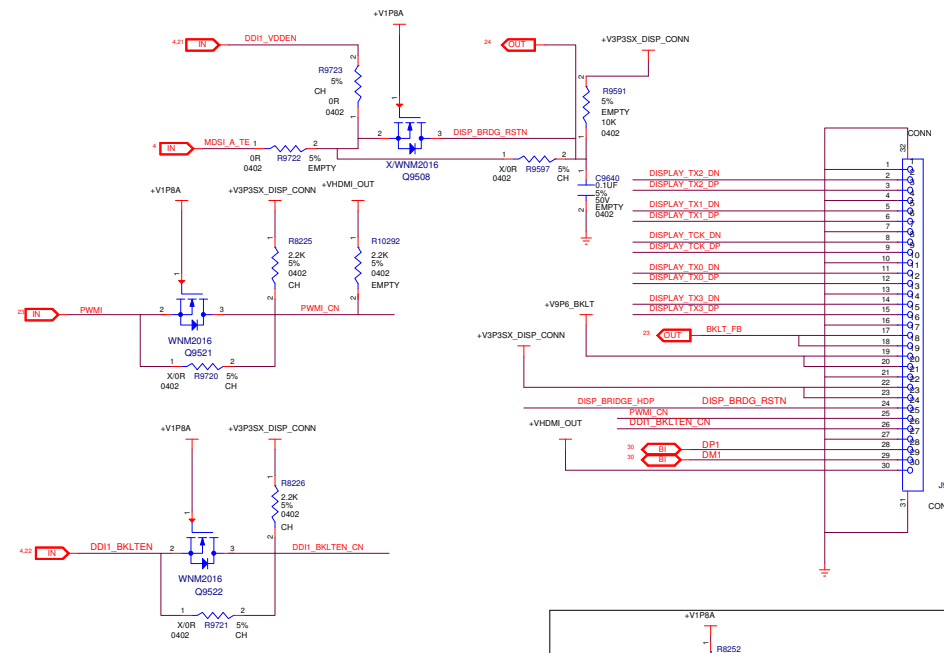
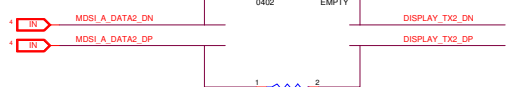
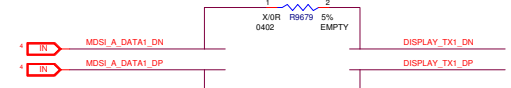
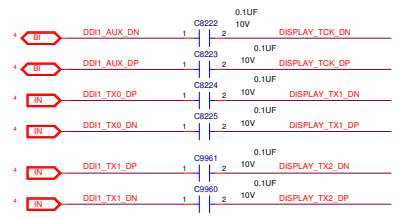


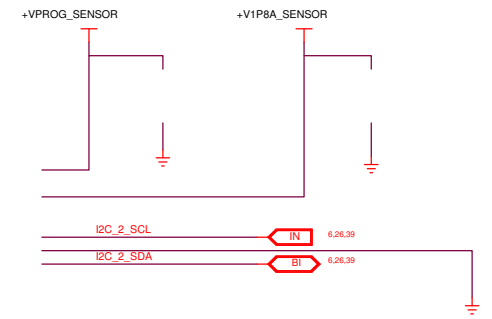
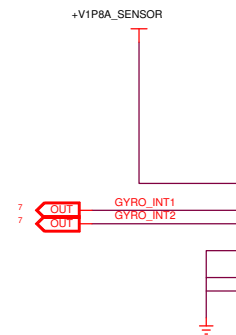
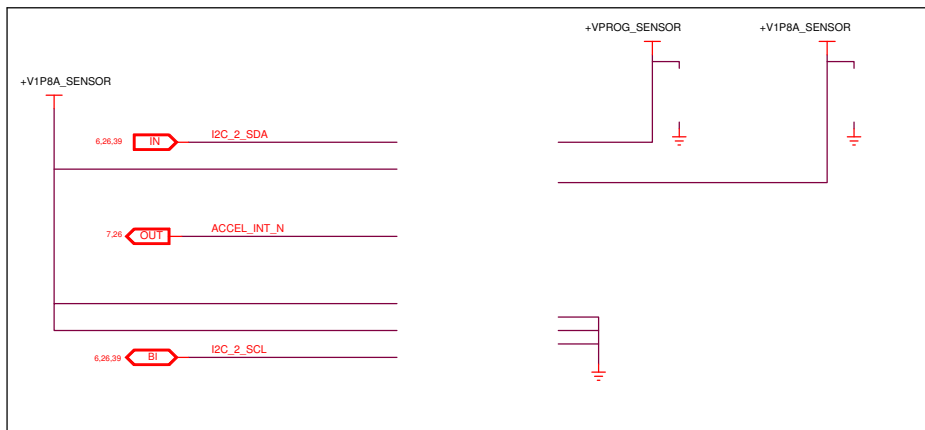
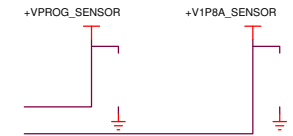
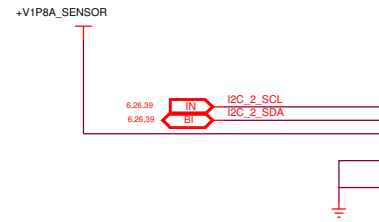
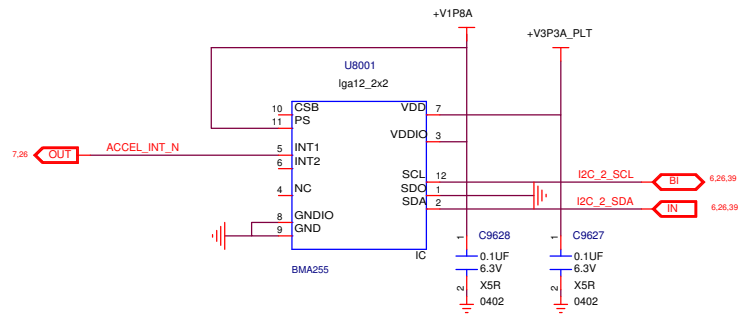
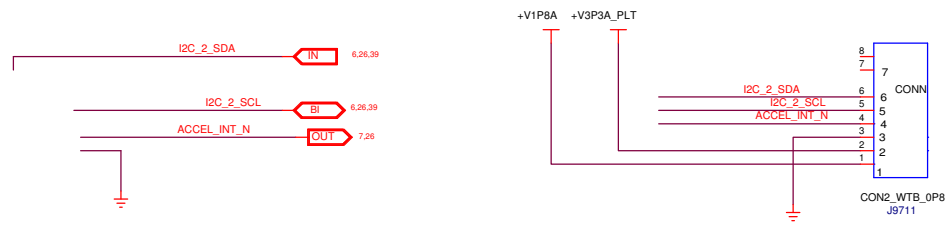


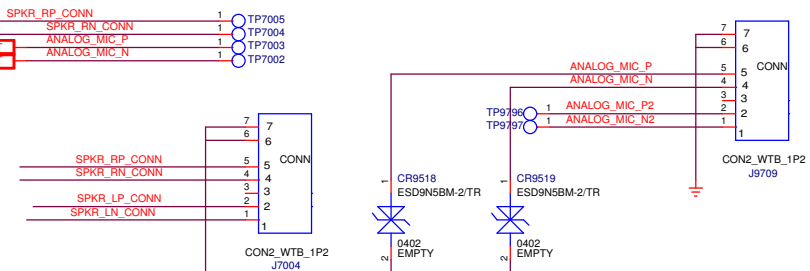
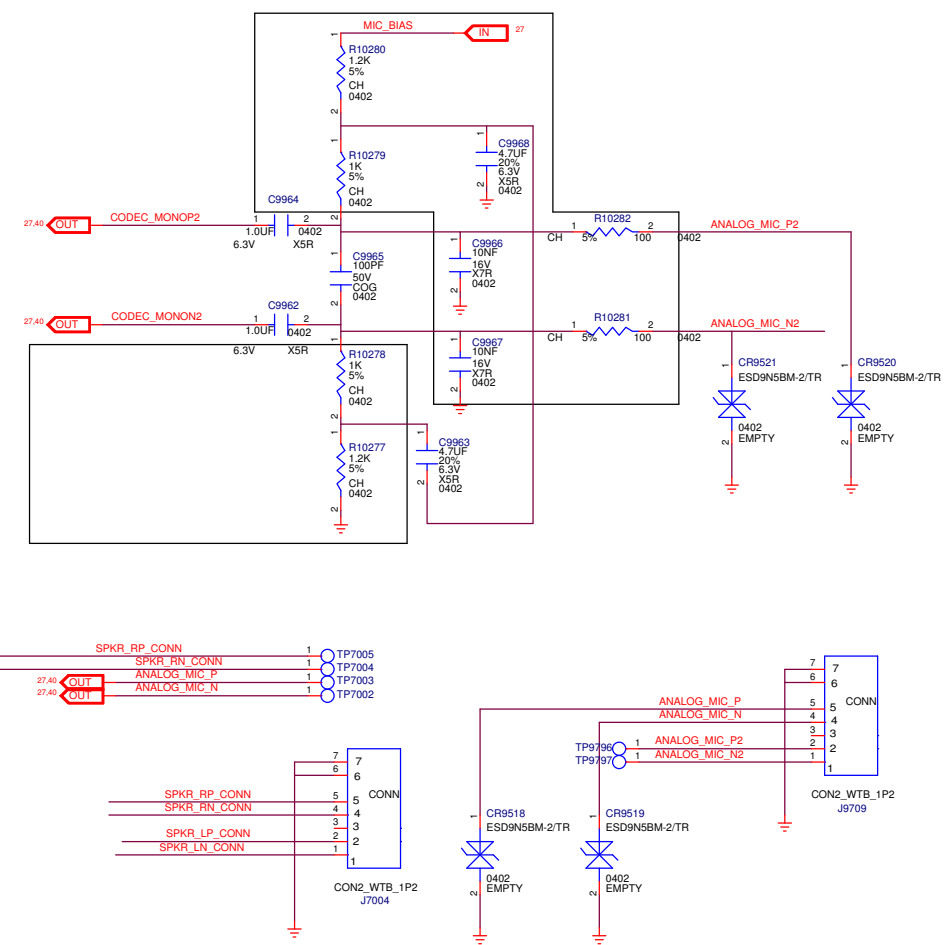
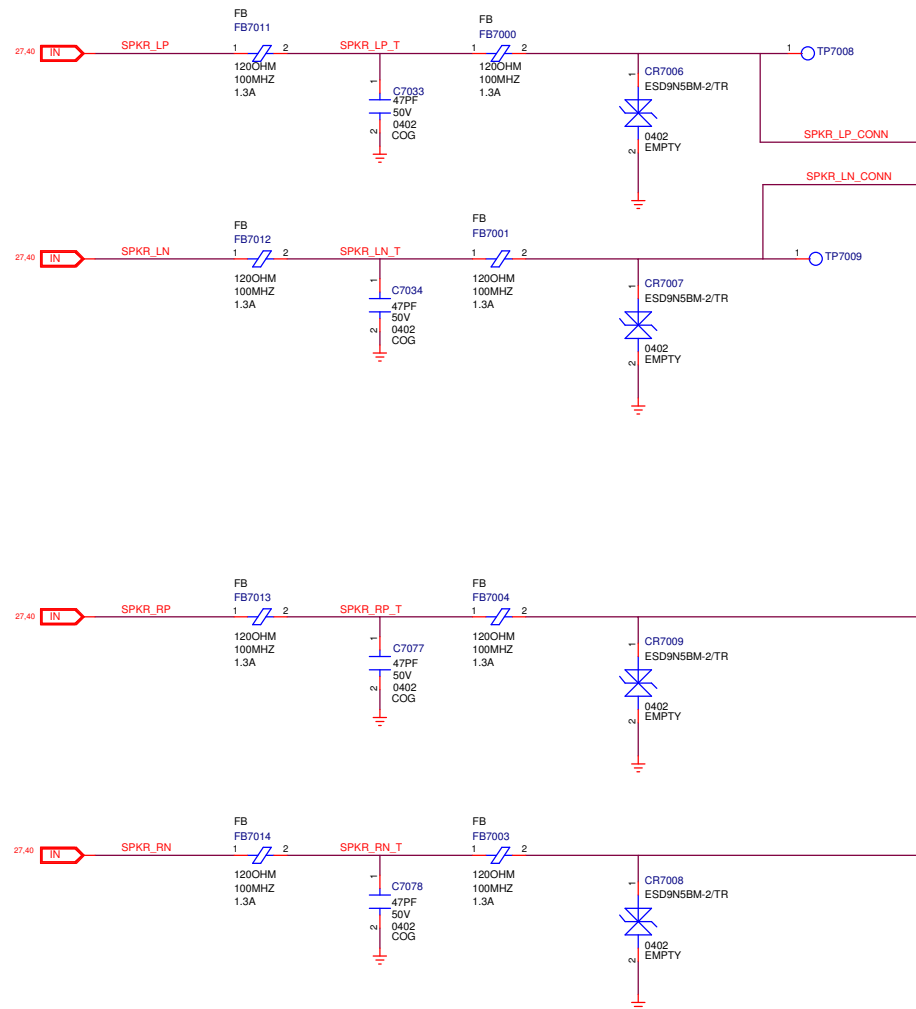
U3501B
KLM8G1WEMB_B031

A1	NC	NC	N14
A2	NC	NC	P1
M7	NC	NC	F12
M8	NC	NC	F13
A8	NC	NC	F14
A9	NC	NC	G1
A10	NC	NC	G2
A11	NC	NC	N11
A12	NC	NC	N12
A13	NC	NC	N13
A14	NC	NC	G12
B1	NC	NC	G13
B7	NC	NC	G14
B8	NC	NC	H1
B9	NC	NC	H2
B10	NC	NC	H3
B11	NC	NC	N9
B12	NC	NC	N10
B13	NC	NC	H12
B14	NC	NC	H13
C1	NC	NC	H14
G3	NC	NC	J1
F14	NC	NC	J2
C7	NC	NC	L5
C8	NC	NC	N7
C9	NC	NC	N8
C10	NC	NC	J12
C11	NC	NC	J13
C12	NC	NC	J14
C13	NC	NC	K1
C14	NC	NC	K2
D1	NC	NC	K3
D2	NC	NC	M12
D3	NC	NC	M13
D4	NC	NC	M14
D12	NC	NC	N11
D13	NC	NC	N13
D14	NC	NC	N6
E1	NC	NC	K12
E2	NC	NC	K13
E3	NC	NC	K14
F2	NC	NC	L1
P8	NC	NC	L2
P9	NC	NC	L3
P11	NC	NC	L12
P12	NC	NC	L13
P13	NC	NC	L14
E12	NC	NC	M1
E13	NC	NC	M2
E14	NC	NC	M3
F1	NC	NC	M9
F2	NC	NC	M10
F3	NC	NC	M11
P7	RFU	NC	C5
A7	RFU		
P10	RFU		
E5	RFU		
E8	RFU		
E9	RFU		
E10	RFU		
F10	RFU	RFU	K5
G3	RFU	RFU	K7
G10	RFU	RFU	K10
			2 OF 2

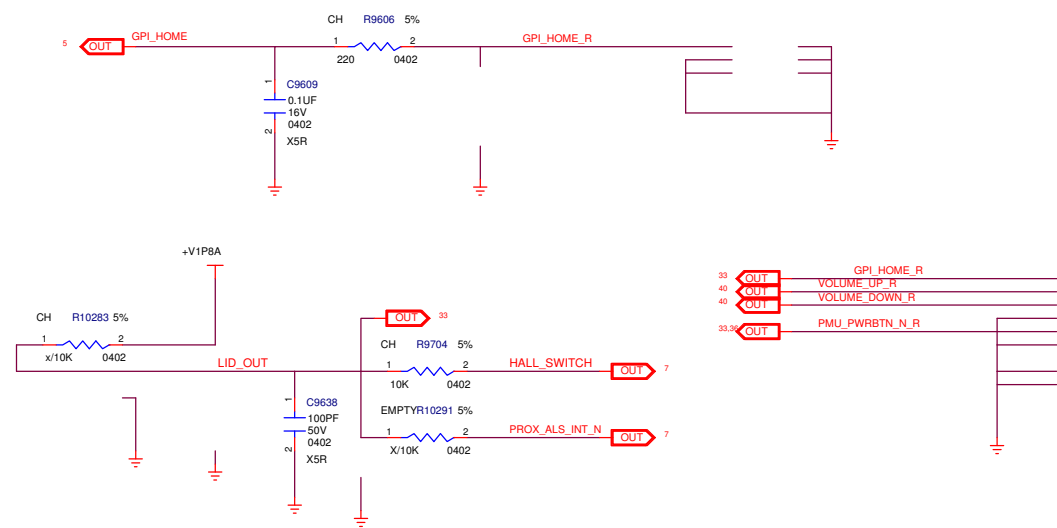
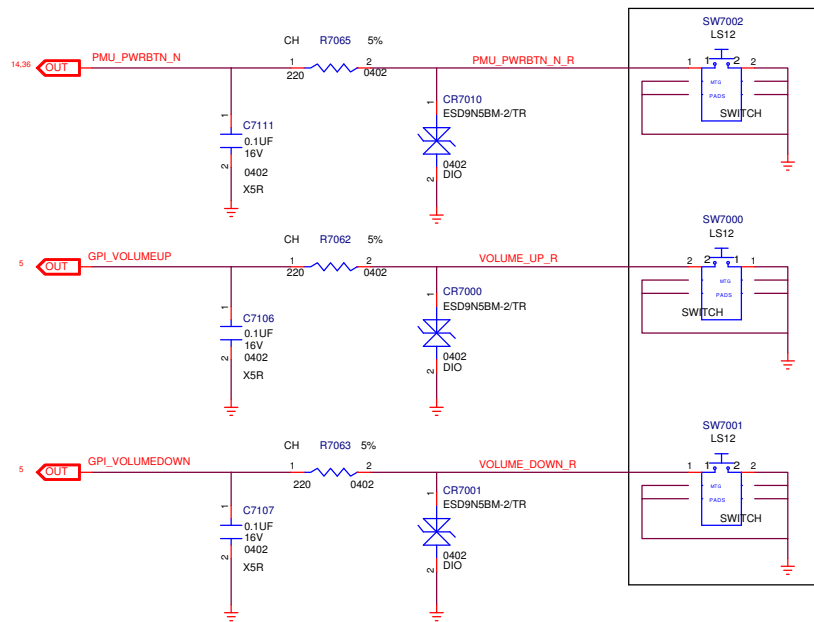
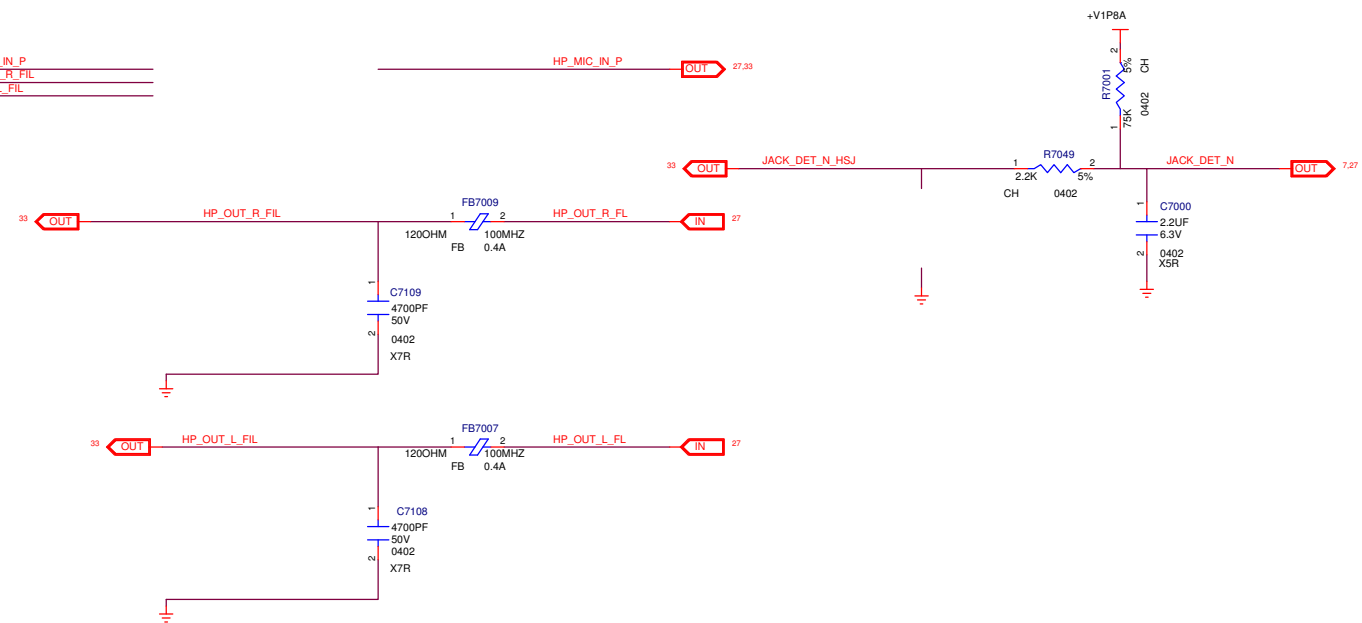
IC



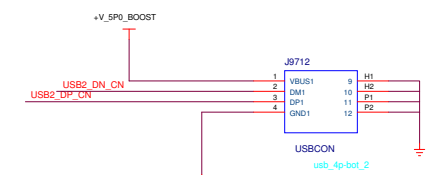
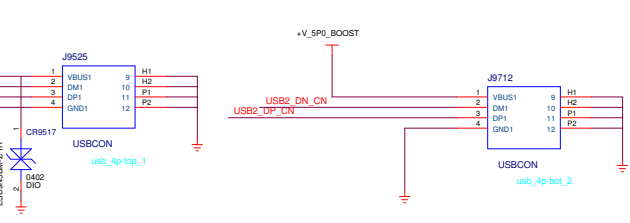
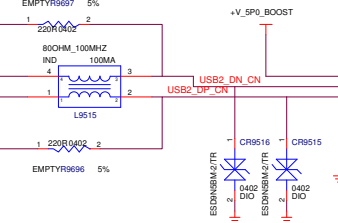
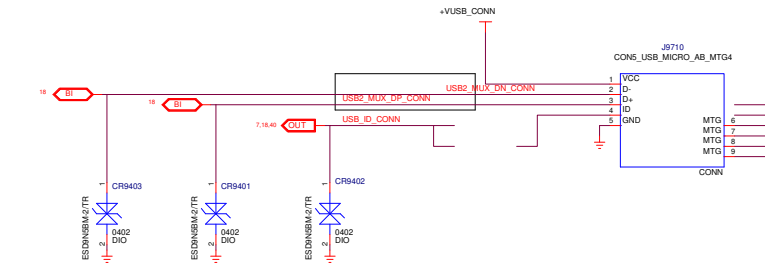
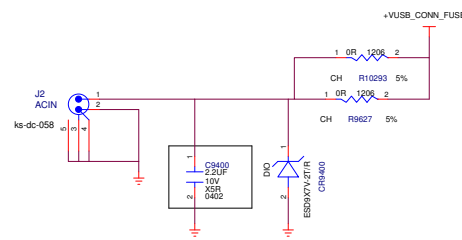
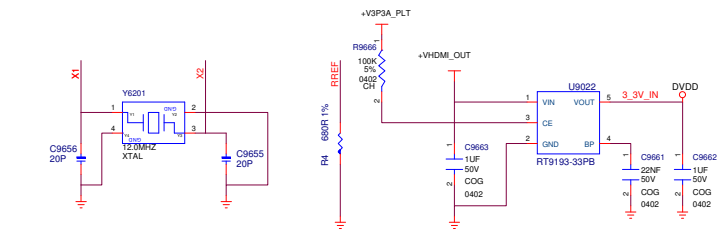
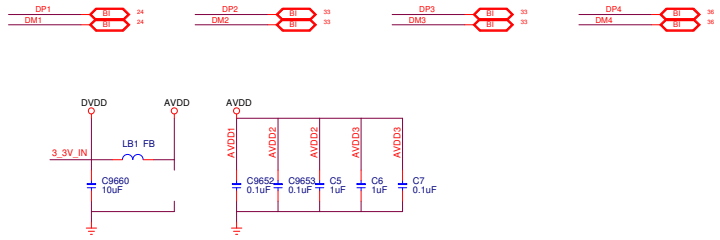
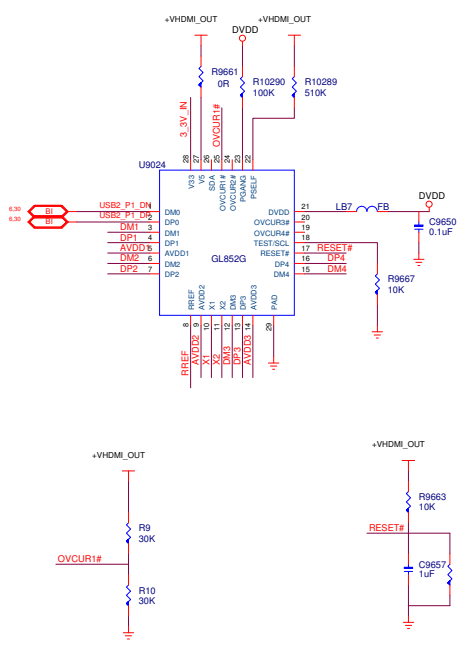


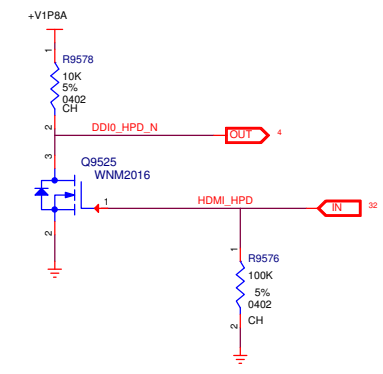
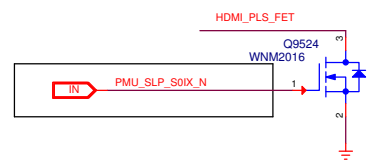
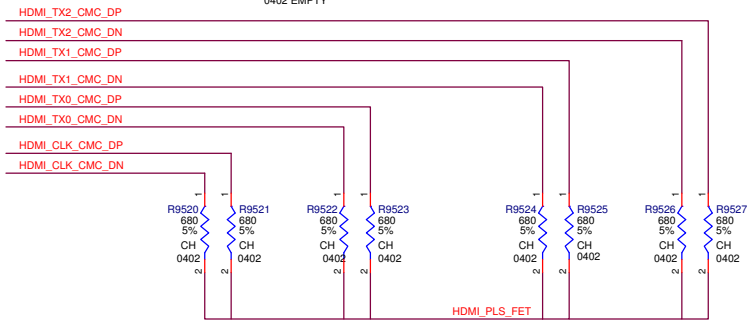
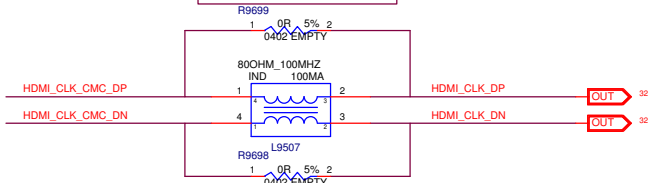
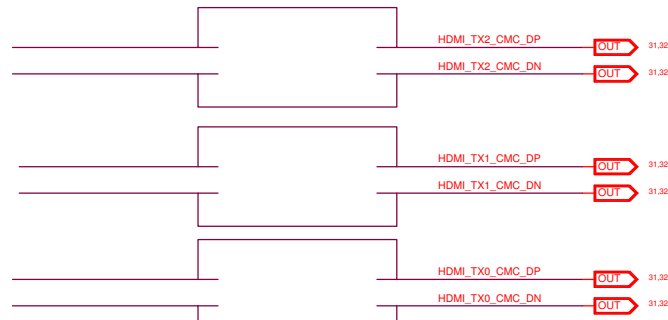
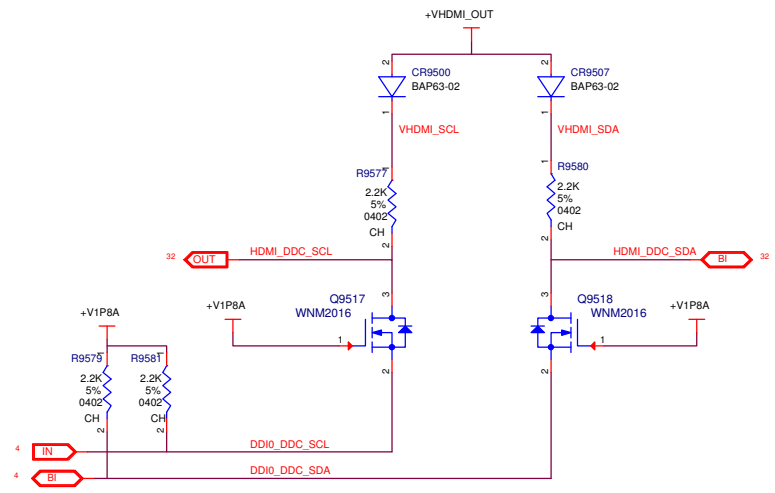
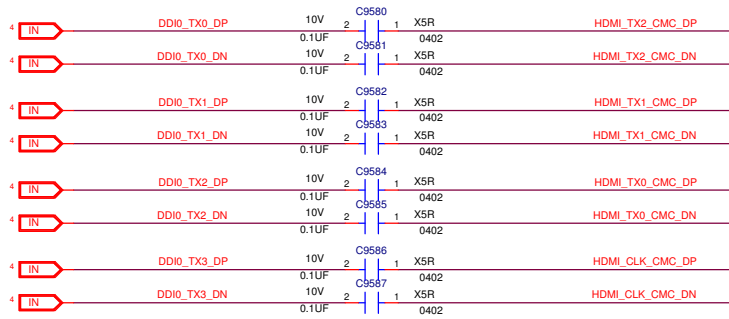


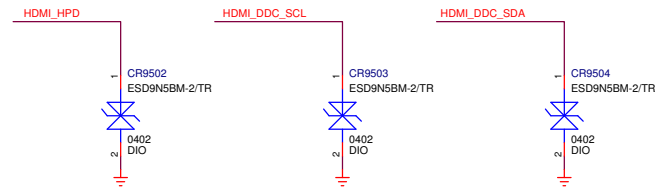
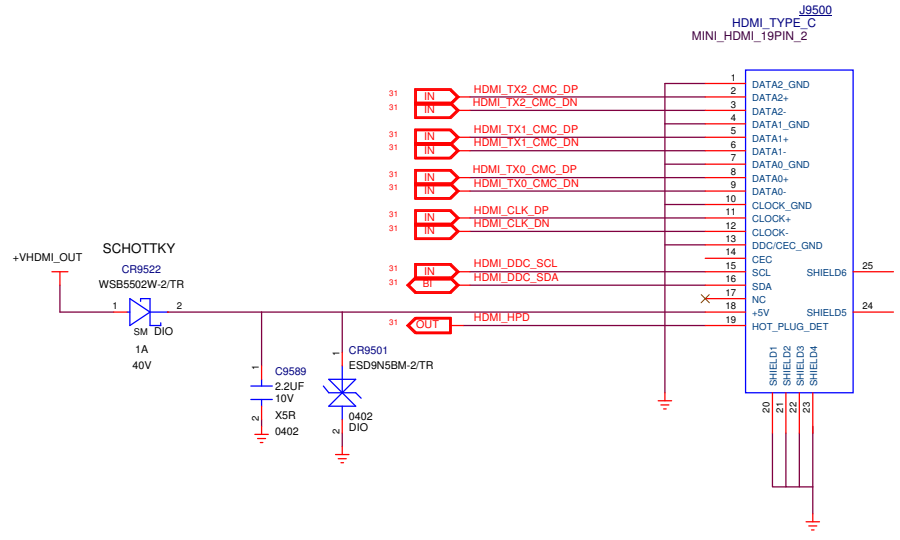
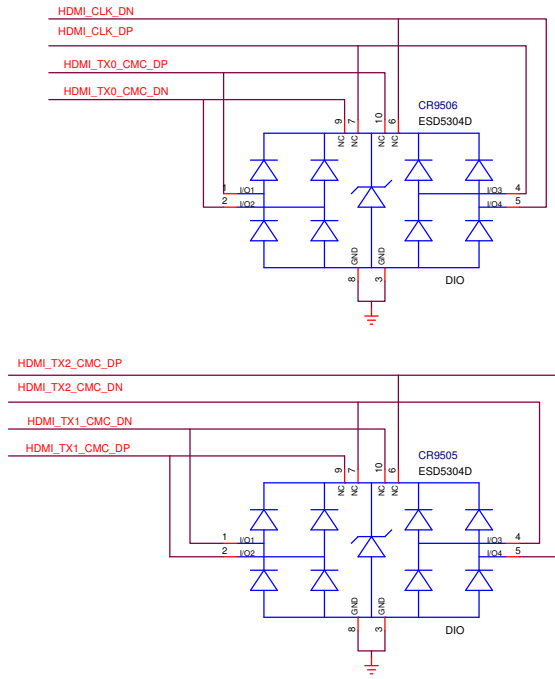
TP9722 1 HP_MIC_IN_P
 TP9723 1 HP_OUT_R_FIL
 TP9725 1 HP_OUT_L_FIL

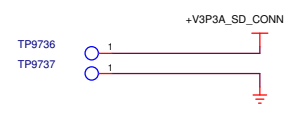
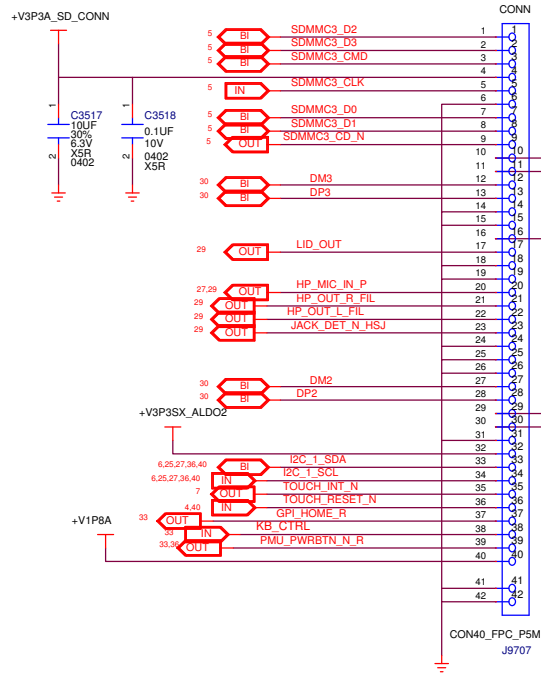
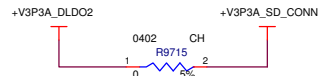


33 OUT GPI_HOME_R
 40 OUT VOLUME_UP_R
 40 OUT VOLUME_DOWN_R
 33 OUT PMU_PWRBTN_N_R

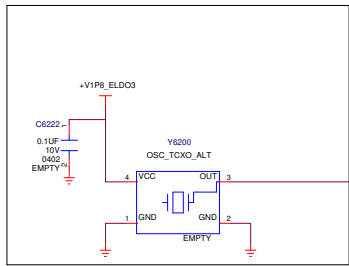








CON40_FPC_P5MM_MTG2
J9707



- TP18200 1 COMBO WLAN_IRQ
- TP18201 1 BT_DEV_WAKE
- TP18202 1 BT_HOST_WAKE
- TP18203 1 WIFI_32K_CLK
- TP18204 1 BT_DEV_EN
- TP18205 1 SDIO2_DATA_0
- TP18206 1 SDIO2_CMD
- TP18207 1 SDIO2_CLK
- TP18208 1 UART_1_BT_RXD
- TP18209 1 UART_1_BT_TXD

