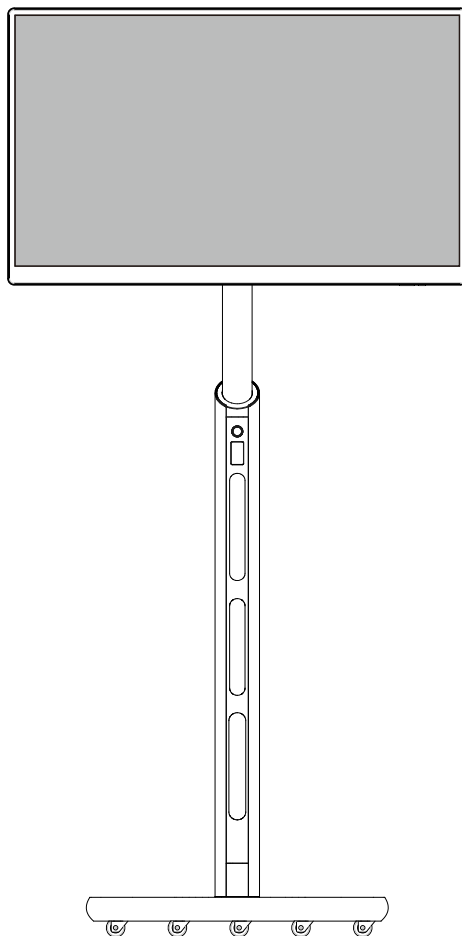


Instruction manual of intelligentall-in-onemachine

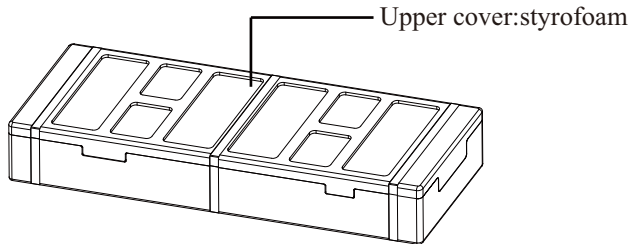


Note:

Thank you for choosing the product! In order to ensure your safe use of this product, Before using this product, please read the user manual carefully and keep it properly.

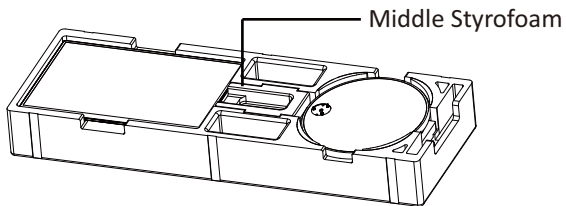
Installation guide

1. Remove the plastic wrap from the cardboard box and remove the top cover of the plastic wrap.



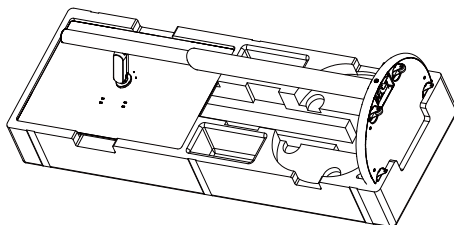
*More Than 2 Adults Are Recommended To Work

2. Take out The Chassis And The Middle Styrofoam.



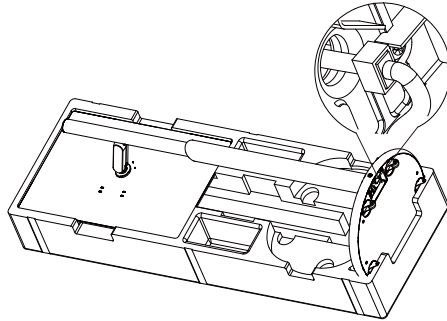
*Please Prepare A Cross Screwdriver Before Assembly

3. Take out the product and put the screen face down on styrofoam, as shown in the following picture.

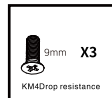
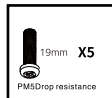
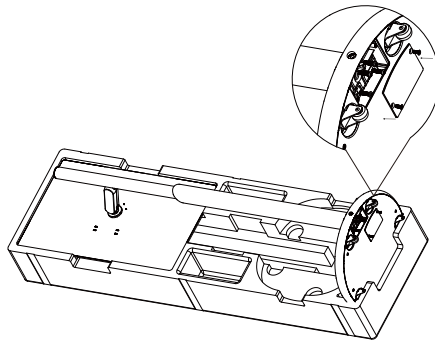


Installation guide

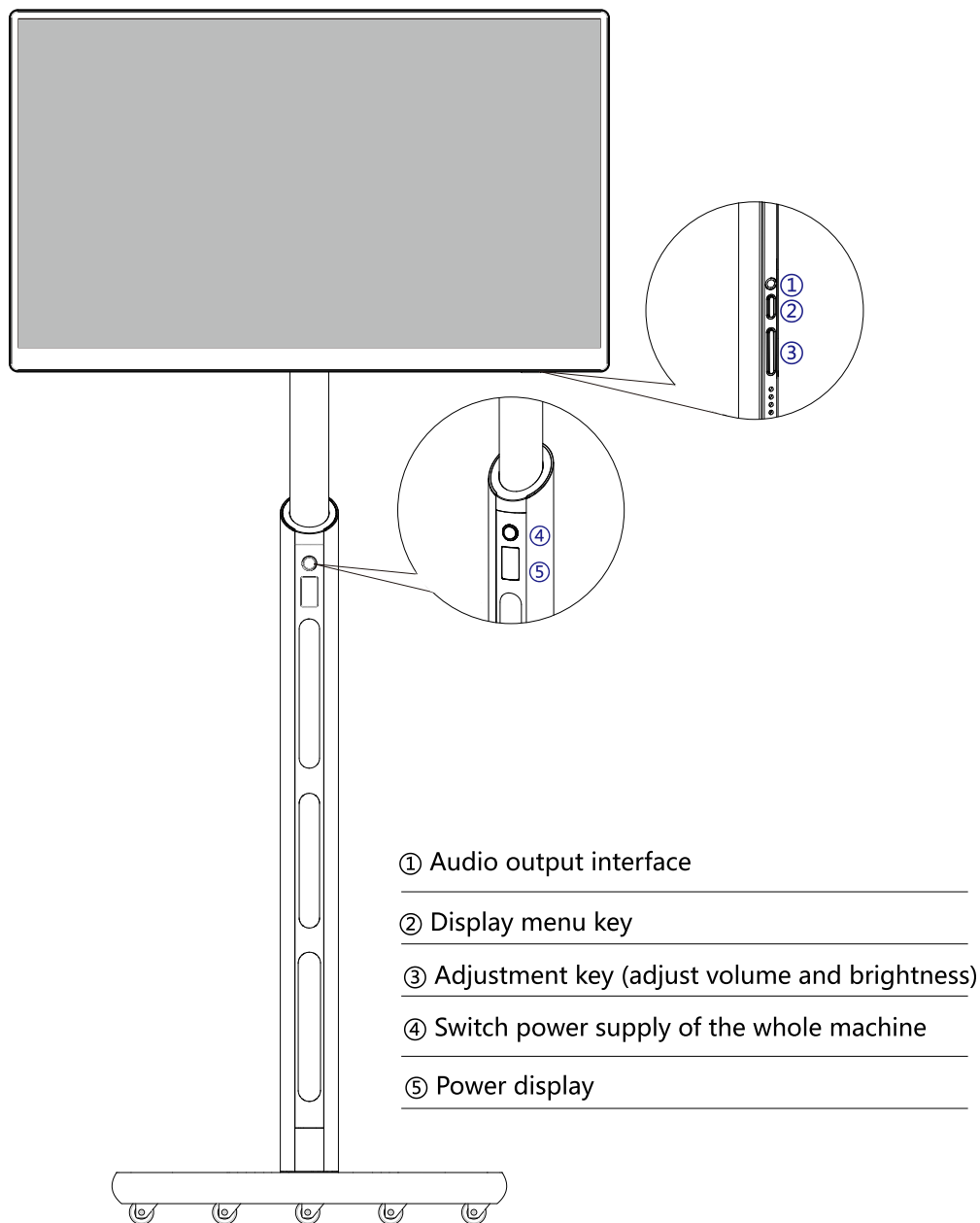
4. Place the chassis in the card slot of styrofoam, pass the power cord at the bottom of the lower rod through the round hole of the chassis, and connect it with the power cord of the chassis.



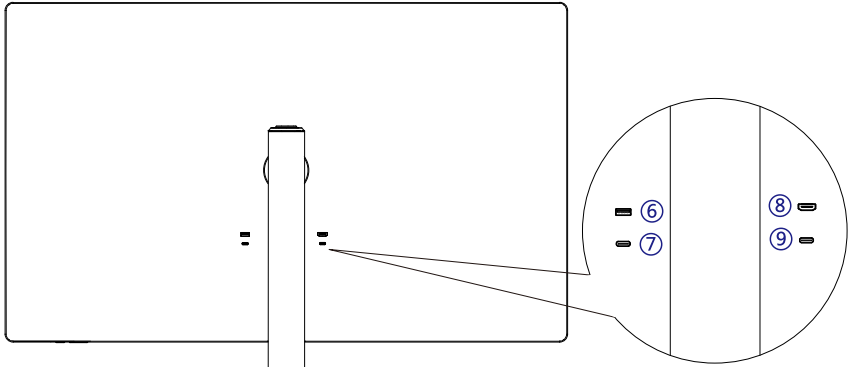
5. Fasten the chassis and lock the mounting cover with locking screws (as shown in the figure below).



Appearance introduction



Appearance introduction



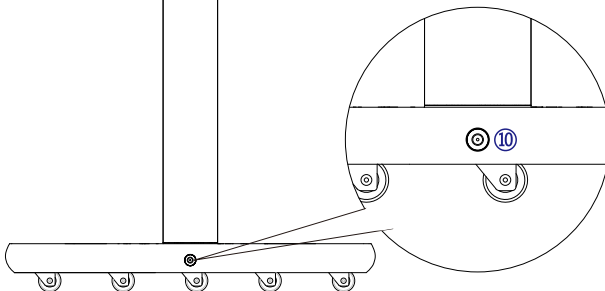
⑥ USB-A: Transfer Data

⑦ HDMI (HDMI device connection for use)

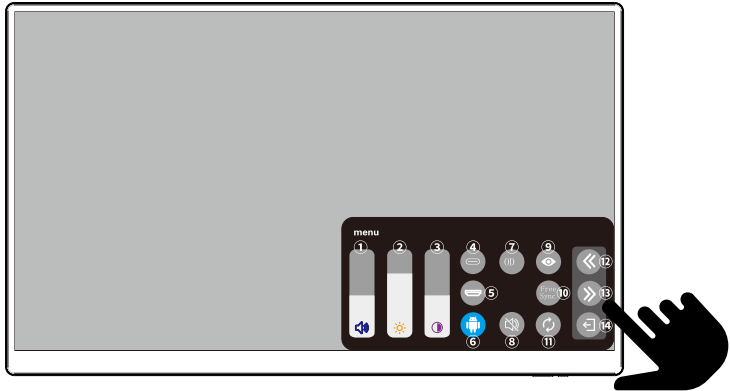
⑧ Type-C 2.0 interface

⑨ Type-C interface (fully functional)

⑩ DC power interface

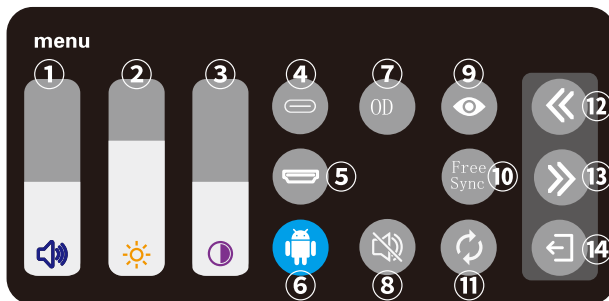


OSD function operation



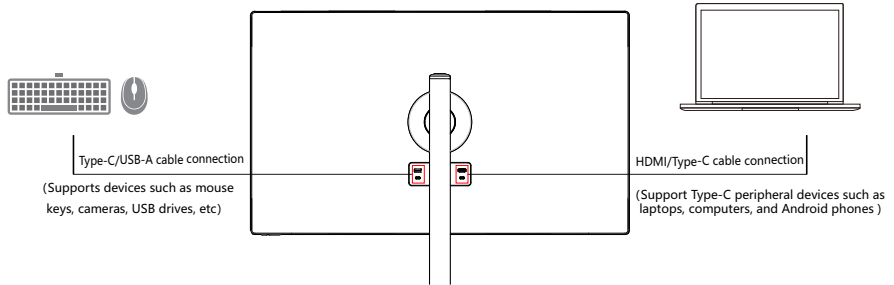
Press the menu key of the display once to activate the OSD menu on the screen. Short press the menu key or touch the exit key in the menu to exit the touch menu on the screen (the menu will automatically exit after about 9 seconds). Users of various functions of the display can customize the touch adjustment;

When the system sleeps, long press the menu key for 3 seconds to wake it up.



- | | | |
|-------------------------|--------------------------|------------------|
| ① modulation | ⑥ Switch back to Android | ⑪ reset |
| ② Brightness adjustment | ⑦ OD | ⑫ Move up menu |
| ③ Contrast adjustment | ⑧ Mute | ⑬ Move down menu |
| ④ Type-C connection | ⑨ Low blue light | ⑭ Exit menu |
| ⑤ HDMI connection | ⑩ FreeSync | |

Connection and startup



1、 Connection of signal lines

1.1. Supports HDMI signal connection, simply connect the monitor to the signal end using an HDMI cable

1.2 and 1.2 support Type-C signal connection, simply connect the display to the signal end using a Type-C cable

Note: The Type-C interface at the signal end has external transmission function

2、 Connecting USB peripherals

You can also connect USB/Type-C peripherals through the USB/Type-C expansion dock; When connecting peripherals, it defaults to the Android system. If you need to switch, you need to switch in the menu

3、 Menu settings

Long press the menu key to wake up from sleep, and short press the menu key to activate the menu for settings

Basic parameters

operating system	Android 11	CPU	Rk3399 six core CPU
Dominant frequency	2GB	Memory	4G
storage	64G	GPU	Internal t860mp4
Battery	19.2V==7.9A	WIFI	2.400 GHz ~ 5.725~5.85GHz
Bluetooth	Bluetooth 5.0	Voice control	support
Gravity induction	support	loudspeaker box	2.0 channel 10W
remote control	Support Bluetooth and voice	Touch screen size	27 inch 10 point capacitive touch screen

FCC warning statements:

This equipment has been tested and found to comply with the limits for a Class B digital device, pursuant to part 15 of the FCC Rules. These limits are designed to provide reasonable protection against harmful interference in a residential installation. This equipment generates, uses and can radiate radio frequency energy and, if not installed and used in accordance with the instructions, may cause harmful interference to radio communications. However, there is no guarantee that interference will not occur in a particular installation. If this equipment does cause harmful interference to radio or television reception, which can be determined by turning the equipment off and on, the user is encouraged to try to correct the interference by one or more of the following measures:

- Reorient or relocate the receiving antenna.
- Increase the separation between the equipment and receiver.
- Connect the equipment into an outlet on a circuit different from that to which the receiver is connected.
- Consult the dealer or an experienced radio/TV technician for help.

Caution: Any changes or modifications to this device not explicitly approved by manufacturer could void your authority to operate this equipment.

This device complies with part 15 of the FCC Rules. Operation is subject to the following two conditions: (1) This device may not cause harmful interference, and (2) this device must accept any interference received, including interference that may cause undesired operation.

The device has been evaluated to meet general RF exposure requirement This equipment complies with FCC radiation exposure limits set forth for an uncontrolled environment.

This equipment should be installed and operated with minimum distance 20cm between the radiator & your body.