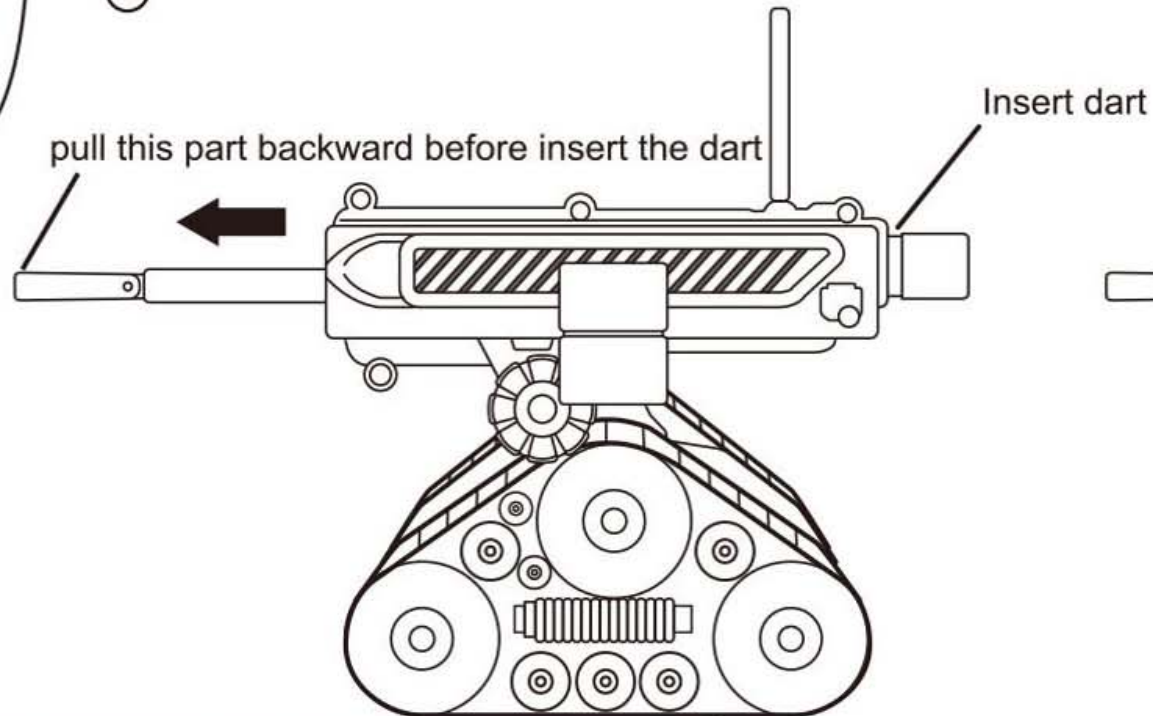
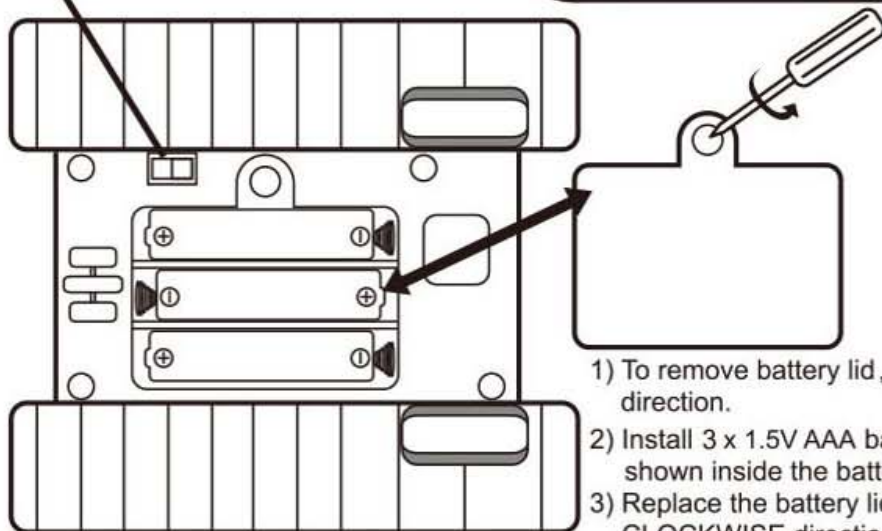


- 1) To remove battery lid, use screwdriver to turn screw in COUNTER CLOCKWISE direction.
- 2) Install 2 x 1.5V (LR44/AG13) batteries with the polarity matching the direction shown inside the battery compartment.
- 3) Replace the battery lid and re-install screw. Tighten screw by turning in CLOCKWISE direction.

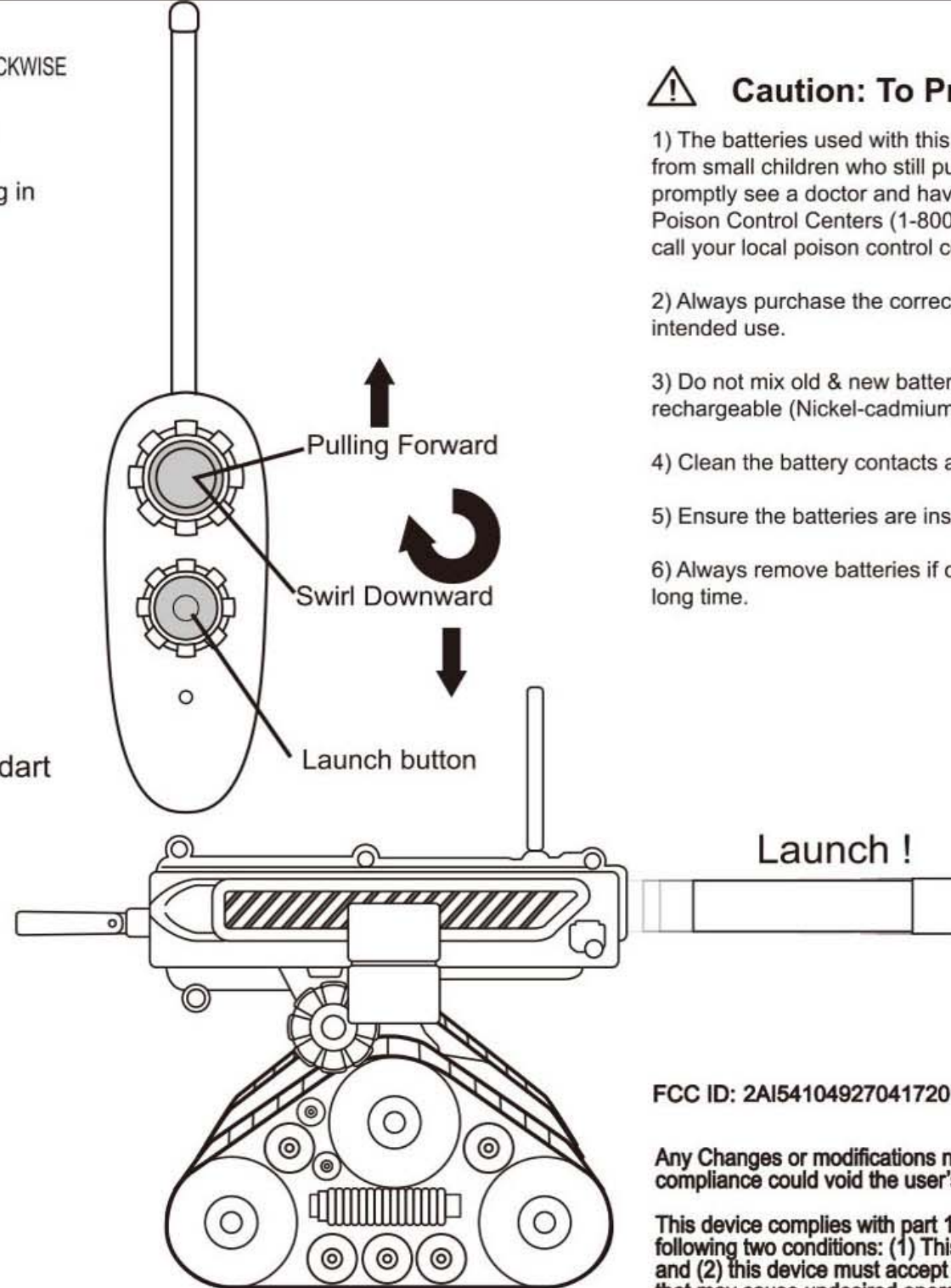
⚠ CAUTION:
Class 1 LED Product



ON/OFF Switch



- 1) To remove battery lid, use screwdriver to turn screw in COUNTER CLOCKWISE direction.
- 2) Install 3 x 1.5V AAA batteries with the polarity matching the direction shown inside the battery compartment.
- 3) Replace the battery lid and re-install screw. Tighten screw by turning in CLOCKWISE direction.



⚠ Caution: To Prevent Battery from overheating

- 1) The batteries used with this product are small parts, & should be kept away from small children who still put things in their mouths. If they are swallowed, promptly see a doctor and have the doctor phone American Association of Poison Control Centers (1-800-222-1222). In other countries, have the doctor call your local poison control center.
- 2) Always purchase the correct size and grade of battery most suitable for intended use.
- 3) Do not mix old & new batteries, alkaline, standard (Carbon-zinc) or rechargeable (Nickel-cadmium) batteries.
- 4) Clean the battery contacts and those of the device prior to battery installation.
- 5) Ensure the batteries are installed correctly with the regard to polarity (+ and -).
- 6) Always remove batteries if consumed or if product is to be left unused for a long time.

FCC ID: 2A15410492704172018

Any Changes or modifications not expressly approved by the party responsible for compliance could void the user's authority to operate the equipment.

This device complies with part 15 of the FCC Rules. Operation is subject to the following two conditions: (1) This device may not cause harmful interference, and (2) this device must accept any interference received, including interference that may cause undesired operation.

Note: This equipment has been tested and found to comply with the limits for a Class B digital device, pursuant to part 15 of the FCC Rules. These limits are designed to provide reasonable protection against harmful interference in a residential installation. This equipment generates, uses and can radiate radio frequency energy and, if not installed and used in accordance with the instructions, may cause harmful interference to radio communications. However, there is no guarantee that interference will not occur in a particular installation. If this equipment does cause harmful interference to radio or television reception, which can be determined by turning the equipment off and on, the user is encouraged to try to correct the interference by one or more of the following measures:

- Reorient or relocate the receiving antenna.
- Increase the separation between the equipment and receiver.
- Connect the equipment into an outlet on a circuit different from that to which the receiver is connected.
- Consult the dealer or an experienced radio/TV technician for help.