

Xiamen New Sound Technology Co., Ltd
ADD: 1st & 2nd Floor, No.13 of Xiang yue Rd., Torch Hi-Tech Development Zone, Xiang An District, Xiamen, China
TEL: 0592-3921189
FAX: 0592-3776908
E-mail: b.qc@newsound.cn

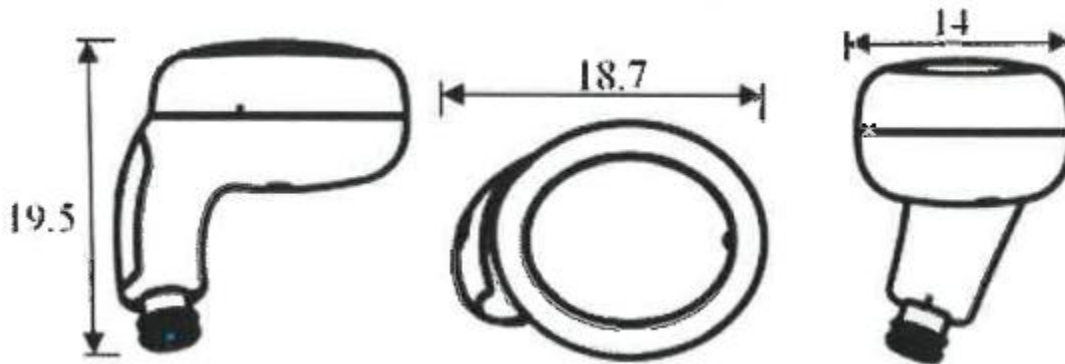
To
FEDERAL COMMUNICATIONS COMMISSION
Authorization and Evaluation Division
7435 Oakland Mills Road
Columbia, MD 21046

Dear Sir/Madam,

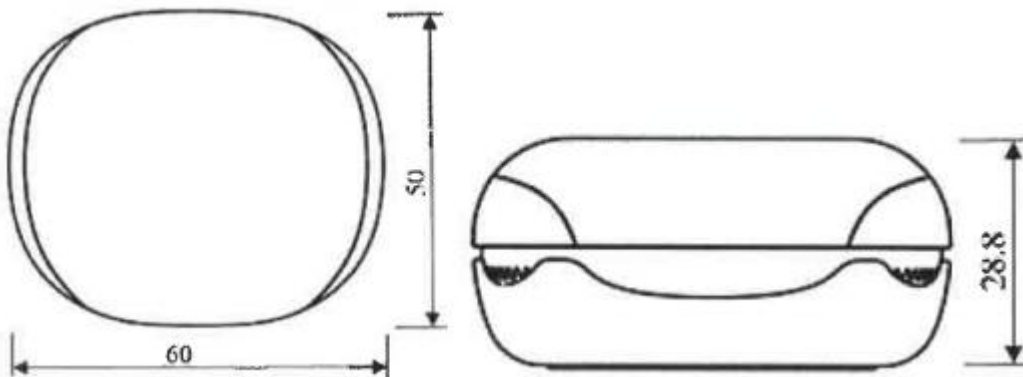
We, Xiamen New Sound Technology Co., Ltd, hereby submits justification for placing the FCC ID label to the charging box. According to the FCC Regulation and Guidance (KDB Publication 784748 D01 v09R01) allows for the FCC to be removed to charging box if the device is unquestionably too small for the FCC ID label to be printed.

The measurement of headset: Length (18.7mm)*Width (14.0mm)*High (19.5mm), charging box: 60(mm)*50(mm)*28.8(mm). Refer to the above quote, as the headset are too small for the FCC ID label to be printed, so the FCC ID label will be moved to the charging box. For details, please see below photos:

Headset size and photo :



Charging box size and photo:



Label:



Sincerely, *Jianyou Xie*

Printed Name: Jianyou Xie
Title: Manager