



iHaper
Your Life Helper
FCC ID: 2A143DL1
Model Name: DL1



www.ihaper.com

iHaper **LED Desk Lamp**



User's Manual

Model: DL1

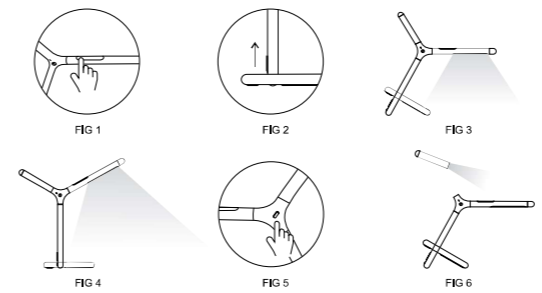


FIG 1 FIG 2 FIG 3
FIG 4 FIG 5 FIG 6

Normal Functions

Power On/Off (fig1)
Connect the lamp with USB type-C charger cable to a 5V/ 2A adapter. Tap on the power button to turn on/off the lamp.

Brightness Control (fig1)
Tap on the control panel and slide your finger along the control zone to increase or decrease the brightness. Tap on certain area of the control panel to choose the brightness level.

Lighting angle adjustment (fig2, fig3, fig4)
Slide the triangle base up and down to select small area lighting mode and large area lighting mode.

Smart Detection (fig 5, automatic mode / non-automatic mode switch button)
Automatic mode: If you are away more than 5 minutes, iHaper LED Desk Lamp will adjust to the darkest mode automatically. If you are back within 30 minutes, iHaper LED Desk Lamp will adjust to the original brightness automatically. If you are away more than 30 minutes, iHaper LED Desk Lamp will turn off automatically.
Non-automatic mode: iHaper LED Desk Lamp will not adjust its mode automatically.

Wireless Lighting
When connected to charger, the lamp lithium battery will charging automatically with overcharge protection function. Charging takes about 4 hour to be full of electricity, and provide 4 hours of lighting without external power supply.

Flashlight (fig5, fig6)
When need to use flashlight, pull it out from the lamp body, remove the silicone cover and press the tail switch.

Thank you for purchasing iHaper LED Desk Lamp. Please read this manual carefully and store it in a safe place for future reference. If you need any assistance, please contact our customer service team by email: support@ihaper.com

Smart Functions

1. Make sure your iPhone or iPad (iOS 10.0 or later) is connected to a 2.4GHz Wi-Fi network. (This product does not support 5GHz Wi-Fi networks)
2. Make sure you have at least 2 bars of Wi-Fi signal there.
3. Download the free iHaper app from the App store or the Google play and log in.
4. Tap "+" and scan the QR code, Then follow the steps to add the device to the Home and Room, Please keep the QR code for future use.
5. Name this product to help you identify it in the Home app and to control it with Siri. For example, you can name the product "Room Desk Lamp", then launch Siri and speak "Turn on the room desk lamp".
6. Adjust the brightness between 1% and 100% by using the app or just asking Siri, e.g., "Set room desk lamp to 50%".
7. The human body detection function can be used with any HomeKit accessory to create a scene. This scene can be triggered automatically when you pass.
8. Use the app to create a scene which controls multiple accessories at the same time. Tap the scene to turn it on or off, or just ask Siri. For example, if you assign the "Good Night" command to the scene of turning off room desk lamp and turning on the living room light, when you speak "Good night" to Siri, everything is done.

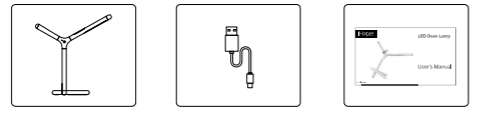
Advantages of iHaper LED Desk Lamp

- Works with Apple HomeKit. Support voice control, human body detection and scene settings.
- Energy Efficient. Cost less power than a typical incandescent light or fluorescent energy saving lamp.
- High quality LED source. The beads passed LM-80(LED light source lumen maintenance test)3000 hours certification.
- Long Lifespan. LED light can last up to 25,000 hours.
- Eye-Protection. No strobe and blue light hazard, protect your eyes for extended use.
- CE and FCC certification. Comply with the international standard IEC/TR 62778:2014 certification, risk group number RG0 (exempt).

Caution

- Use proper voltage and current of 5V/2A. unplug charge when not use.
- Do not touch electrical parts with wet hands.
- Do not repair or disassemble the product privately.
- In the process of working, keep the surrounding air convection for heat dissipation.
- Do not use this product in a humid environment or near heat source.
- Do not use the lamp with frayed or damaged electrical cords, never overload electrical circuits as it may cause electrical shock or fire.
- Prevent the flow of liquid into the product to avoid the lamp failure or damage.
- In case of insufficient battery supply, the lamp light will illuminate every two seconds to remind you to charge as soon as possible.

What's in the Box



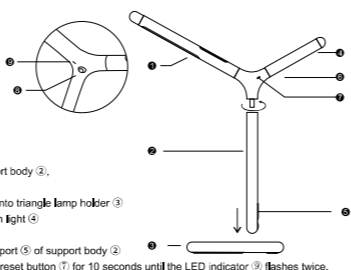
1* iHaper LED Desk Lamp
1* USB Type-C Charge Cable
1* User Manual

Specifications

Model	DL1	Lumens	80-160Lm
Light Source	LED	Color Rendering Index	≥83
Input	DC 5V/ 2A	Colorized Color Temperature	3,800-4,250K
Power	3.2W	Operate Temperature	-10°C-50°C
Battery of lamp	2600mAh	Net weight	710g
Battery of flashlight	800mAh	Product size	487mm*191mm*430mm

Product Diagram

- lamp body
- support body
- triangle lamp holder
- flashlight
- USB Type-C charge port
- Flashlight connector
- Reset button
- Human body detection sensor
- LED indicator



Installation

1. Insert the lamp body ① into the support body ②, rotates 90 degrees clockwise.
2. Insert the bottom of support body ② into triangle lamp holder ③.
3. Put the Magnetic charging port of flashlight ④ close to the contactor of lamp body ①.
4. Insert USB Type-C Cable into charge port ⑤ of support body ②.
5. To reset the lamp, press and hold the reset button ⑦ for 10 seconds until the LED indicator ⑧ flashes twice.

Legal

Use of the Works with Apple HomeKit logo means that an electronic accessory has been designed to connect specifically to iPod touch, iPhone or iPad, respectively, and has been certified by the developer to meet Apple performance standards. Apple is not responsible for the operation of this device or its compliance with safety and regulatory standards.


Disclaimer

1. To protect your legal rights, please read the instructions provided in manual with this product carefully before using. By using this product, you agree that you have read, understood, approved and accepted the Terms and Conditions Agreement within this instruction manual.
2. When using this product, it is advised that you please, strictly follow the requirements within this instruction manual. iHaper assumes no responsibility for all accidents, property damage, personal injury, legal disputes, or all other adverse events that cause conflicts of interest due to violations of the required use.



www.ihaper.com

iHaper
Your Life Helper



www.ihaper.com

iHaper **智能台灯**



用户手册

产品型号: DL1

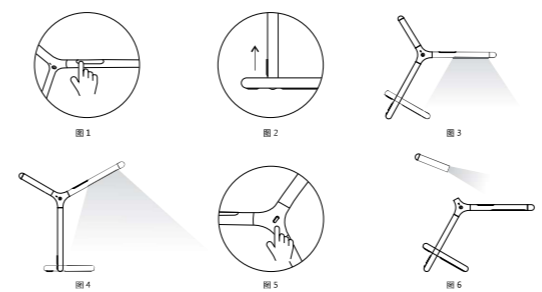


图1 图2 图3
图4 图5 图6

使用方法

电源开关 (图1)
将灯与USB Type-C型充电电缆连接到一个5V / 2A适配器。触摸电源按钮打开/关闭台灯。

亮度控制 (图1)
触摸控制面板增加或减少亮度。或触摸控制面板相应点来选择亮度水平。

照明模式调整 (图2, 图3, 图4)
上下滑动三角灯罩进行角度调整来控制照明范围模式。

智能感应 (图5按键切换自动模式/非自动模式)
自动模式: 离开5分钟, iHaper智能台灯将自动调整到最省电的模式, 30分钟内回到台灯身边, 灯光会自动调整到原来的亮度。离开30分钟, 台灯将自动熄灯。
非自动模式: 台灯不会自动调整状态。

无线照明
连续充电时, 锂电池自动充电, 具有超载自动保护功能。充满电大约需要4个小时; 没有外部电源可提供4个小时的照明。

手电筒 (图5, 图6)
当需要使用手电筒时, 把它从灯体拿下, 拔掉硅胶盖, 按下尾部开关即可。

感谢您购买iHaper智能台灯, 请仔细阅读本手册请妥善保管本手册以供将来参考, 如果您需要任何协助, 请联系我们的客户服务团队通过电子邮件: support@ihaper.com

智能功能使用说明

1. 确保您的iPhone或者iPad (iOS 10.0或更高版本) 已连接到2.4GHz Wi-Fi网络。(此产品不支持5GHz Wi-Fi网络。)
2. 确保您所在的位置至少有2格Wi-Fi信号。
3. 从App store或 Google Play下载iHaper app并登录。
4. 点击 "+" 扫描QR码, 并按步骤将设备添加到家庭和房间。请保留二维码以备将来使用。
5. 将此产品命名, 能帮助您您在Home应用程序中识别它, 并使用Siri进行控制例如, 您可以将此产品命名为 "室内台灯", 然后启动Siri并说 "打开室内台灯"。
6. 调整亮度, 可在app中控制亮度1-100%, 或者要求Siri执行。例如, 对Siri说 "将室内台灯亮度设置为50%"。
7. 人体检测功能, 可以与任何HomeKit配件搭配使用并创建场景, 当你经过时, 可以自动触发该场景。
8. 在APP设置定制场景以使用单个命令控制多个设备。点击场景可开启或关闭场景, 或者要求Siri执行。例如, 如果您将 "晚安" 命令分配给关闭室内台灯并打开客厅灯的, 当您说 "晚安" 时, 一切都完成了。

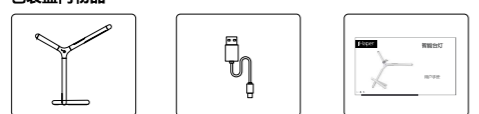
iHaper智能台灯的优势

- 支持Apple HomeKit. 可以语音控制, 人体感应, 场景联动。
- 能源效率. 比普通白炽灯或节能荧光灯更节能环保。
- 高品质的LED. 灯珠通过LM-80(LED光源测试) 9000小时认证。
- 长寿命. LED灯可以持续2,5000小时。
- 护眼眼睛. 没有闪光灯和蓝光风险, 保护你的眼睛。
- 优质光源. 符合国际标准IEC / TR RG0 62778:2014认证, 危害级别为RG0(豁免)。

注意事项

- 使用适当的电压和电流为5V / 2A. 不用时拔掉充电头。
- 不要用手触摸电气部件。
- 不要私自维修拆卸产品。
- 请勿使用有磨损或损坏的电源线. 防止电路过载, 以免导致触电或火灾。
- 在工作的过程中, 保持周围空气对流散热。
- 防止液体流入产品. 避免灯及底座损坏。
- 不要在潮湿的环境中或接近热源环境下使用本产品。
- 在电池供应不足的情况下, 灯光会每秒闪烁, 提醒您尽快充电。

包装盒内物品



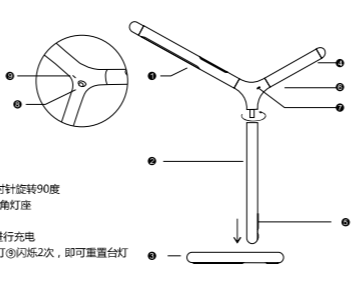
1台iHaper智能台灯
1个USB Type-C 充电数据线
1份用户手册

基本参数

型号	DL1	光通量	80-160Lm
光源	LED	显色指数	≥83
输入	DC 5V/ 2A	色温范围	3,800-4,250K
功率	3.2W	工作温度	-10°C-50°C
电池容量 (台灯)	2600mAh	净重	710g
电池容量 (手电筒)	800mAh	产品尺寸	487mm*191mm*430mm

产品图

- 灯体部分
- 灯柱部分
- 底座部分
- 手电筒
- USB Type-C
- 手电筒接口
- 重置开关
- 人体检测传感器
- LED指示灯



安装流程

1. 将 ① 灯体部分插入 ② 灯柱部分中, 顺时针旋转90度。
2. 将组装好的 ② 灯柱部分底部插入 ③ 三脚底座。
3. 将手电筒 ④ 插入 ① 灯体部分 ⑤ 位置。
4. 将 USB Type-C 电源线插入接口 ⑥ 可进行充电。
5. 通过长按重置开关 ⑦ 10s直至LED指示灯 ⑧ 闪烁2次, 即可重置台灯。

法律声明

使用 Works with Apple HomeKit 标志表示电子配件是设计专门与iPod touch, iPhone或iPad连接使用的, 并且经开发人员认证符合Apple性能标准。Apple 不对此设备的操作或其是否符合安全和监管标准负责。

免责声明

1. 为了保护您的合法权益, 请您在使用本产品前务必仔细阅读我们随本产品提供的说明书。一旦开始使用本产品, 即视为您已阅读、理解、认可和接受本产品说明书的全部条款和内容。
2. 在使用本产品的过程中, 请您务必严格遵守本产品说明书里的要求。由于违反要求的使用行为导致的一切事故、财产损失、人身伤害、法律纠纷, 及其他一切造成利益冲突的不利事件, 本公司将不承担任何责任。



www.ihaper.com

FCC Caution.

This device complies with part 15 of the FCC Rules. Operation is subject to the following two conditions:

- (1) This device may not cause harmful interference, and
- (2) this device must accept any interference received, including interference that may cause undesired operation.

Any Changes or modifications not expressly approved by the party responsible for compliance could void the user's authority to operate the equipment.

Note: This equipment has been tested and found to comply with the limits for a Class B digital device, pursuant to part 15 of the FCC Rules. These limits are designed to provide reasonable protection against harmful interference in a residential installation. This equipment generates uses and can radiate radio frequency energy and, if not installed and used in accordance with the instructions, may cause harmful interference to radio communications. However, there is no guarantee that interference will not occur in a particular installation. If this equipment does cause harmful interference to radio or television reception, which can be determined by turning the equipment off and on, the user is encouraged to try to correct the interference by one or more of the following measures:

- Reorient or relocate the receiving antenna.
- Increase the separation between the equipment and receiver.
- Connect the equipment into an outlet on a circuit different from that to which the receiver is connected.
- Consult the dealer or an experienced radio/TV technician for help.

This equipment complies with FCC radiation exposure limits set forth for an uncontrolled environment. This equipment should be installed and operated with minimum distance 20cm between the radiator & your body.