

Lark2 Circuit Operation Principle Description

Lark2 Box is an intelligent game controller supported Bluetooth wireless transmission. It will be based on the BK3431S as the master control chip. It contains two functions: base band and RF band. Base band deals with GYRO sensor , ACC sensor and Geomagnetic sensor signal process, TP, power management, clock etc. RF band deals with radio signal process.

BOX whole schematic contains: as the schematic documents

RF band:

RF signal process: Fig 1

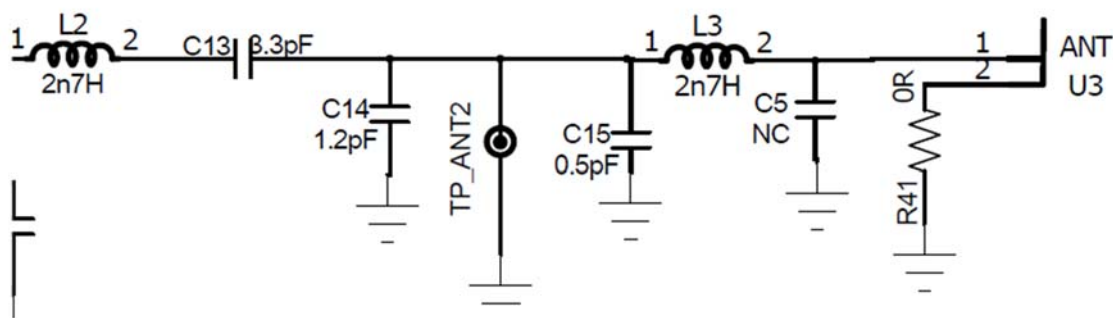


Fig 1 RF circuit

Main IC Output RF signal. It passes through a match circuit.

Base Band:

Clock circuit: Fig 2

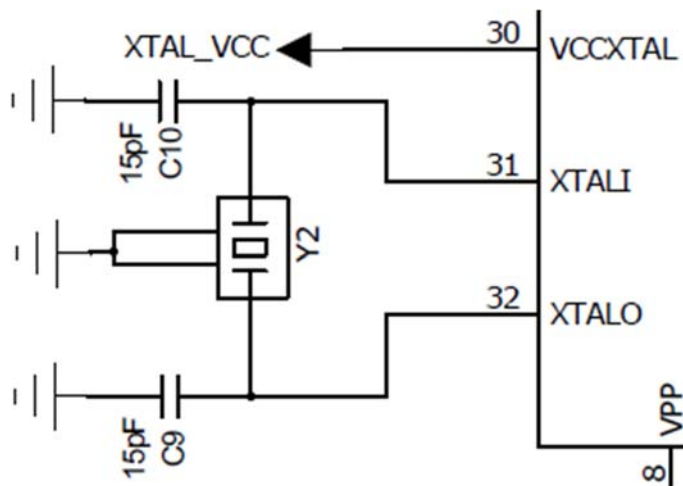


Fig 2 Clock circuit

Base Band:

GRYO, ACC and Geomagnetic sensor : Fig 3

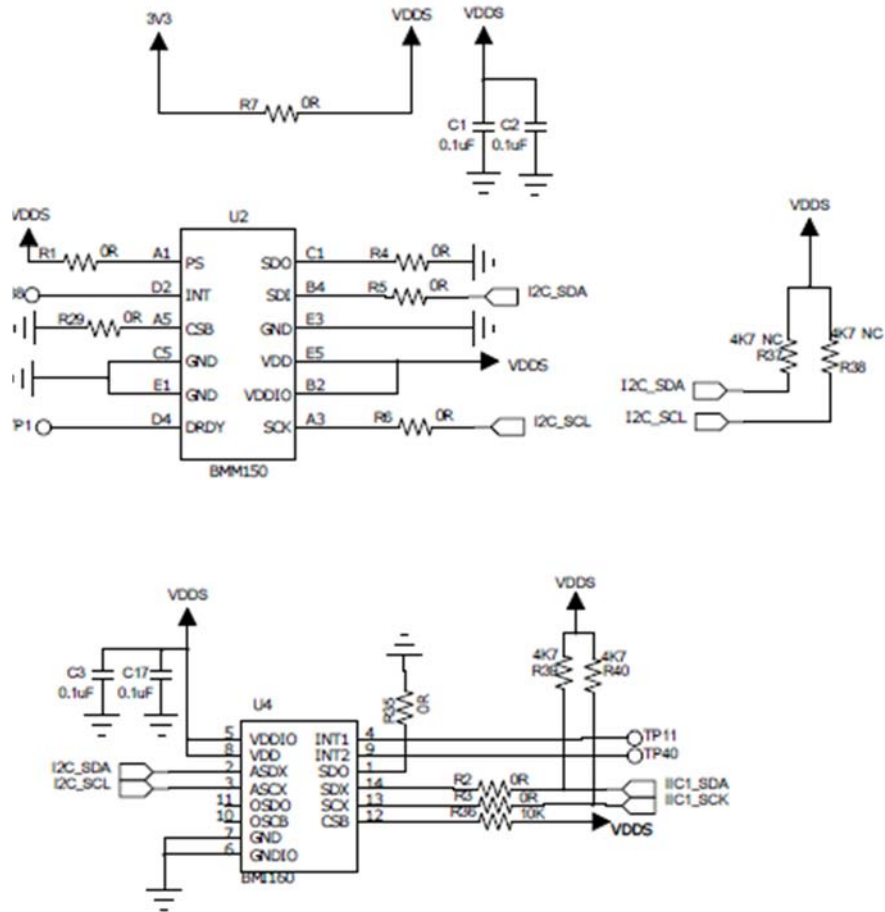


Fig 3 GRYO, ACC and Geomagnetic sensor circuit

Base Band:

TP : Fig 4

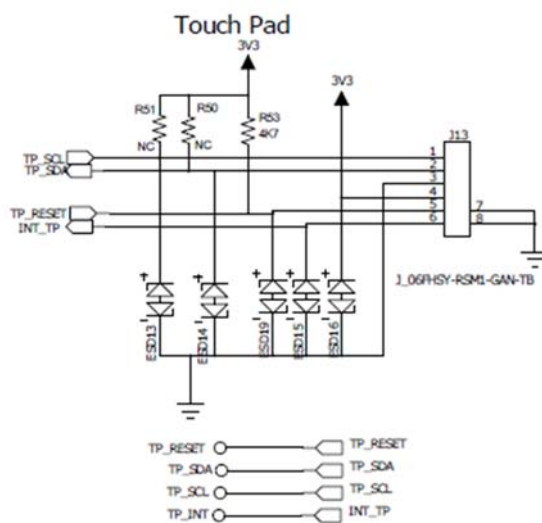


Fig 4 TP circuit

BT	Modulation	GFSK
	Frequency	2.402GHz—2.4835GHz
	BLE output power	3 dBm (Tolerance: ± 2 dB)