

# pico u

- A New Reality -

**User Manual**

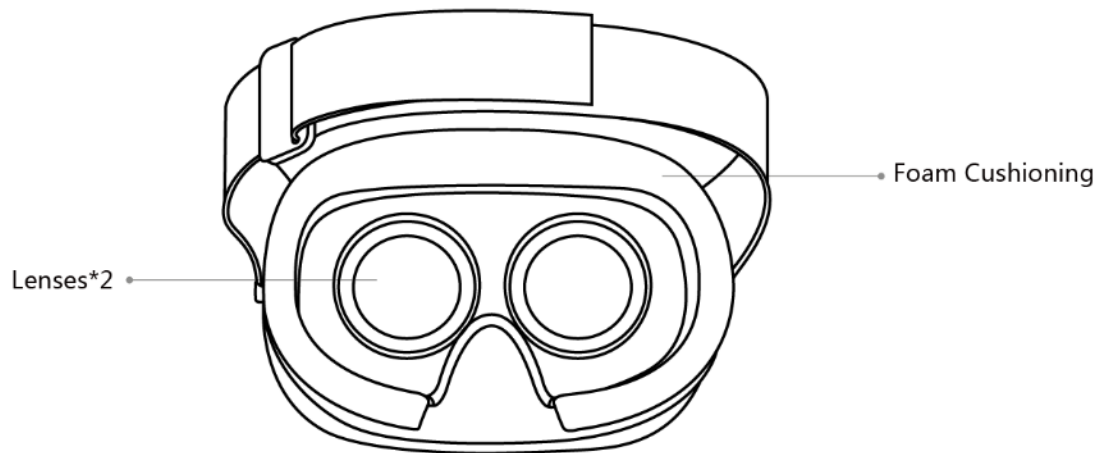
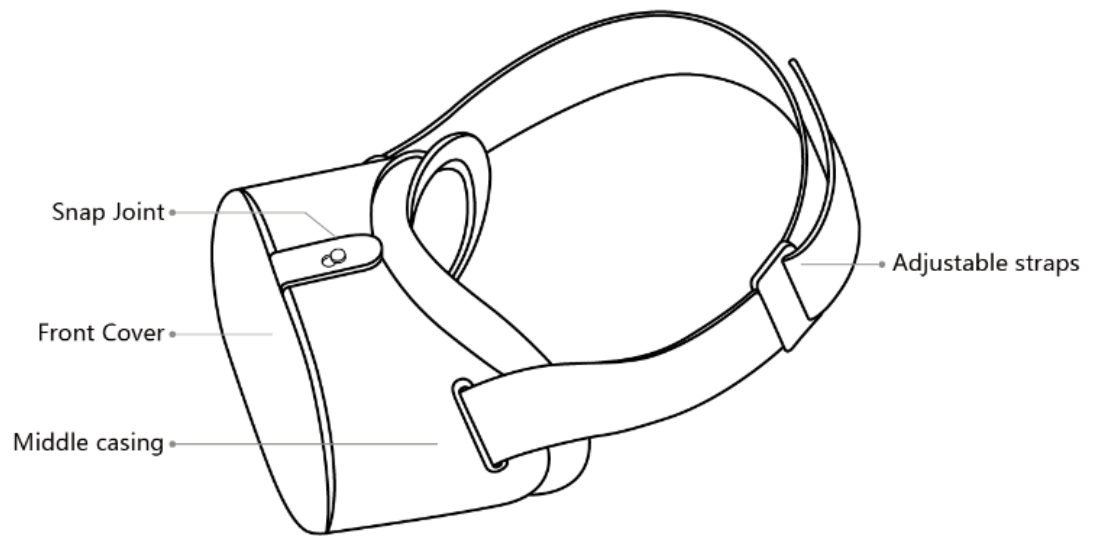
## ① IMPORTANT NOTES

1. Please make sure you do not feel any uncomfortable and be aware of your surroundings when using this device.
2. You may feel discomfort for long time using. Please take rest for every 30 minutes. If you feel serious discomfort, please stop using and see doctors immediately.
3. Children under 12 years are not suggested to use.
4. This manual is for reference only.

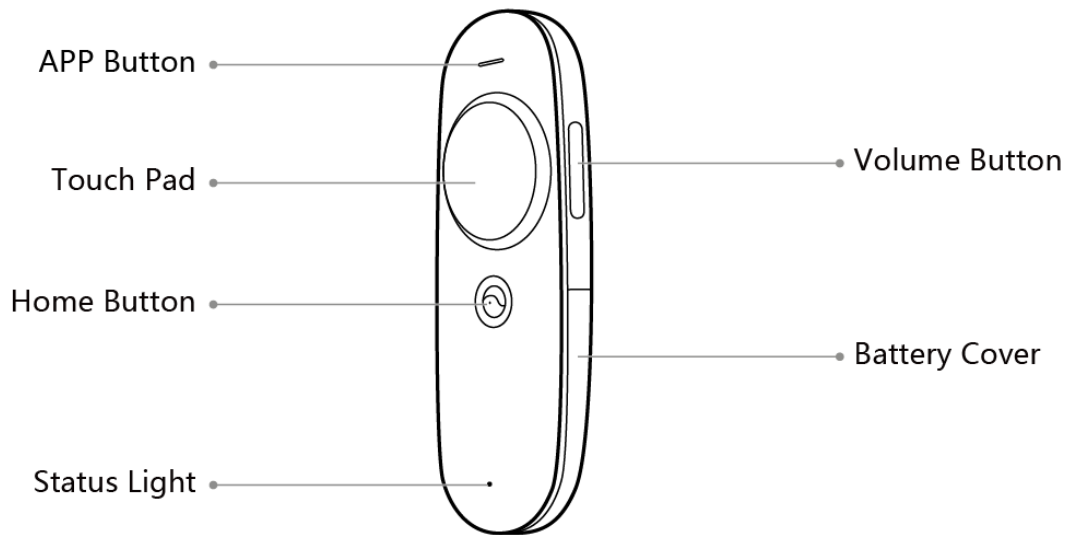
## ② PRODUCT INTRODUCTION

Pico U is an HMD virtual reality device. It is compatible with Android smartphones equipped with a gyroscope, which have (has) a screen between 5 and 6 inches (screen resolution over 1920x1080 is recommended). It is also compatible with iPhone 6, iPhone 6 Plus, iPhone 6S, iPhone 6S Plus and later. Pico U places you a whole new world, offering an astonishingly immersive audio-visual experience

### ③ HEADSET FEATURES



### ④ 3DOF MOTION CONTROLLER FEATURES



Keys	Functions
Touch Pad	<ul style="list-style-type: none"> <li>• Direction operations</li> <li>• Press for confirm</li> </ul>
APP Button	<ul style="list-style-type: none"> <li>• Back to previous screen or game customized</li> </ul>
Home Button	<ul style="list-style-type: none"> <li>• Short press for powering on</li> <li>• Short press for returning to home screen if Bluetooth connected</li> </ul>
Volume Button	<ul style="list-style-type: none"> <li>• Volume up / down</li> </ul>
Status Light	<ul style="list-style-type: none"> <li>• Bluetooth is pairing if light keeps flashing slowly</li> <li>• Bluetooth is connected if light is off</li> <li>• Battery is low if light keeps flashing fast</li> </ul>

## ⑤ OPERATIONS

### 1. Install PicoVR APP on your mobile phone

How to download and install PicoVR:

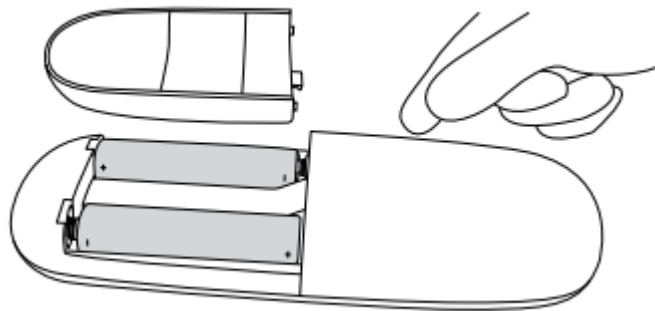
- a) Scan QR code and download;



- b) Go to [www.picovr.com](http://www.picovr.com) and download;
- c) Go to one of the Android stores, search "PicoVR" and download.(For Android users)
- d) Go to APP Store, search "PicoVR" and download. (For iPhone users)

## 2. Connecting 3DOF Motion Controller


Please put two AAA batteries into the 3DOF motion controller.



### Bluetooth connection:

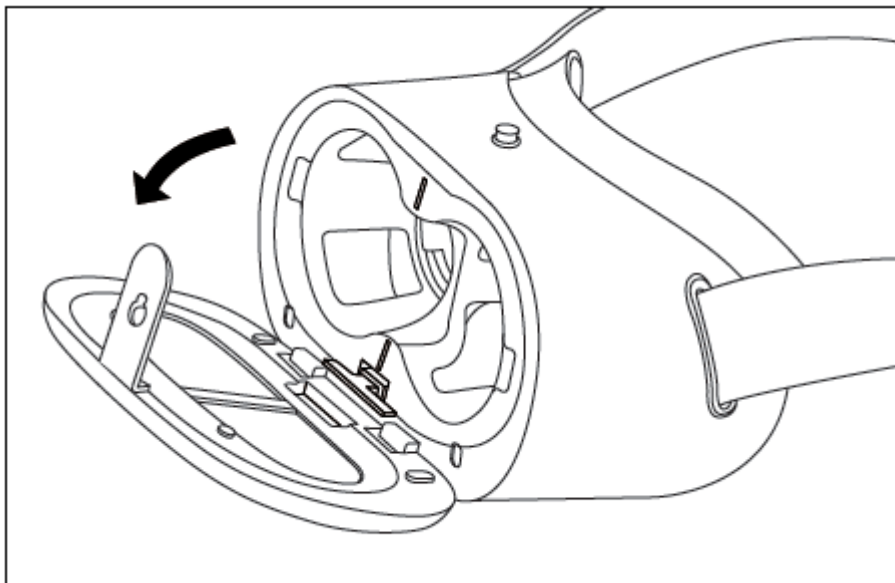
- Turn on the Bluetooth;
- Open PicoVR APP, Go to "Profile" -> " My Device" -> " Adding Pico Device" , and select "Pico U" ;
- Short press the controller' s Home button, and keep the LED light flash slowly;
- It will search and connect the Bluetooth automatically;
- The LED light will be off if the Bluetooth is connected.

## 3. Get into the VR mode

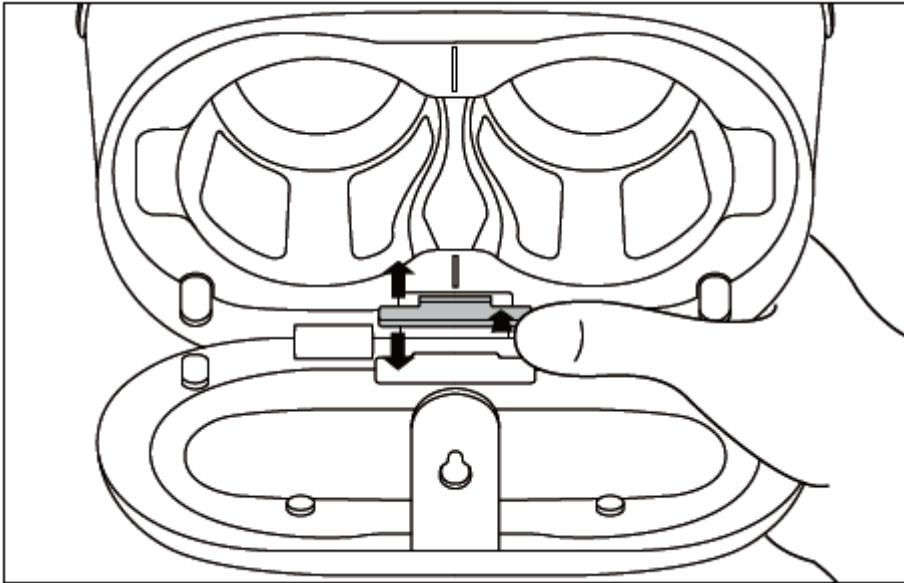
Click the icon  in the upper right corner and get into the VR mode.

## 4. Insert the mobile phone into the device

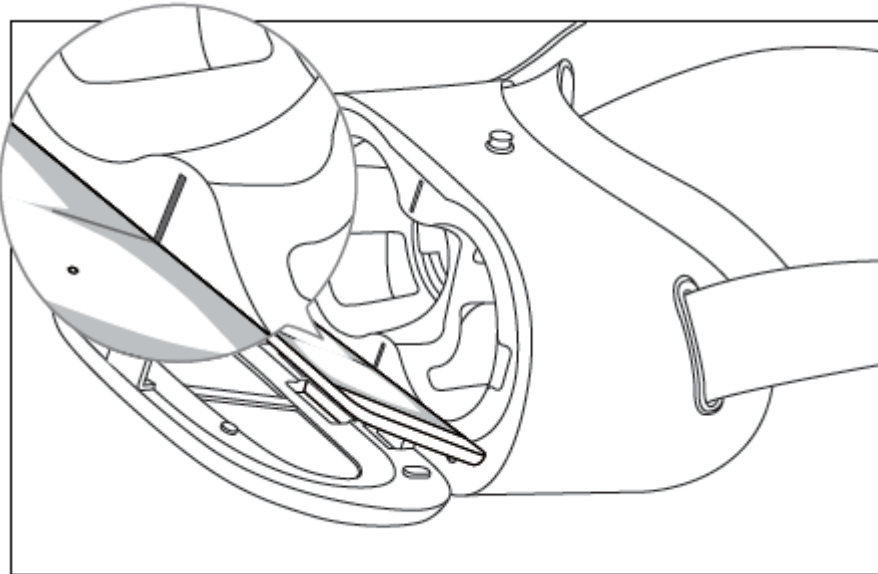
- Open the front cover



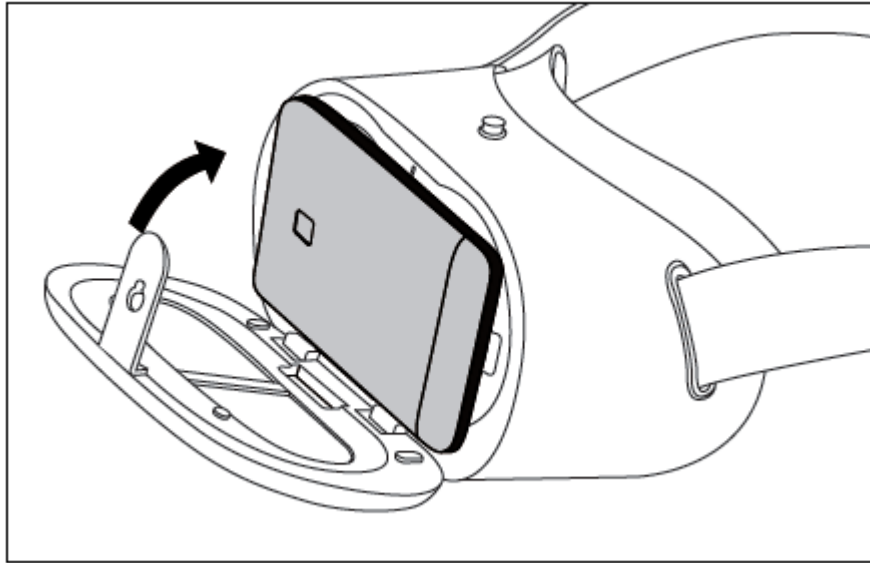
Adjust the gear( see picture) to a suitable position according to the size of your mobile phone. First gear matches 5 inch mobile phones, and third gear matches 6 inch mobile phones.



Adjust your mobile phone, and align the vertical line on the mobile phone with the line on the device.



b) Close the front cover



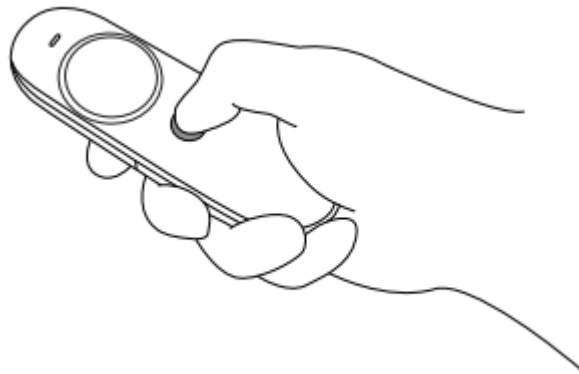
### 5. How to wear Pico U

Wear Pico U according to the following picture, and adjust the Velcro straps so the device fits comfortably.

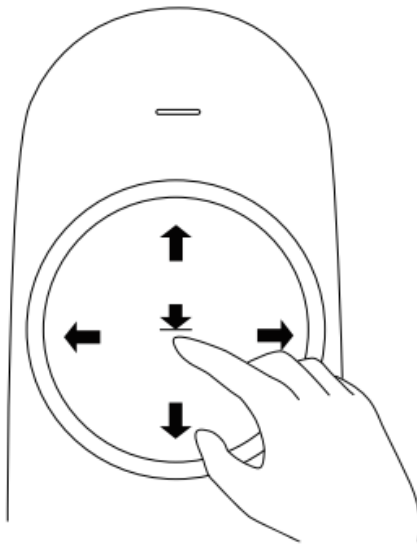


### 6. Experience the product

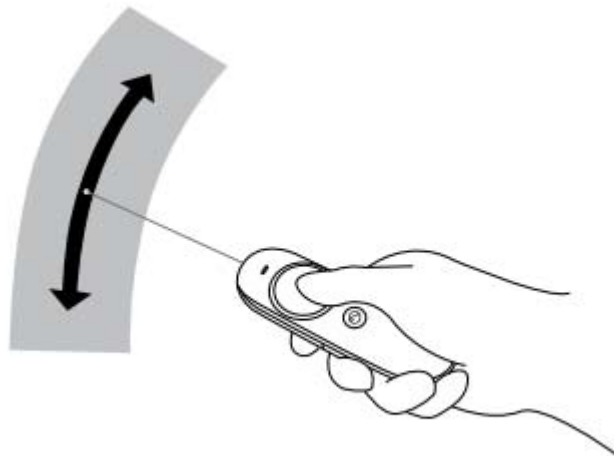
- 1) When the controller is connected, follow the tips on the screen to use the 3DOF motion controller. Short press Home button on 3DOF motion controller then the headset would connect to the 3DOF motion controller automatically.



- 2) Operating 3DOF Motion Controller
  - a) Touch pad: navigation

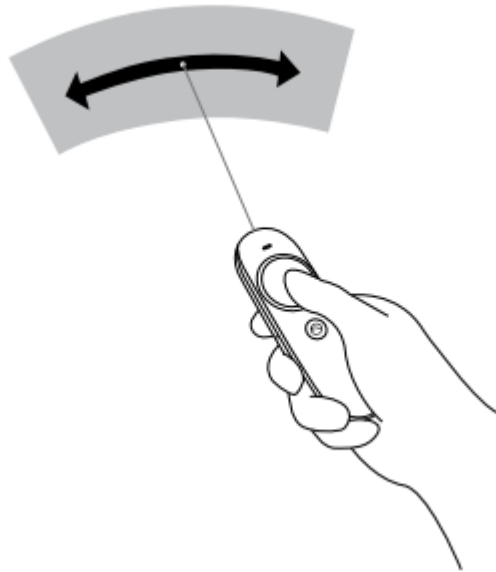


- b) Move the cursor up/down





- c) Move the cursor left/right



- d) Long press the Home button for recentering.

7. Power off

The 3DOF motion controller will be powered off automatically after 60 seconds if it is not connected. Please get the battery out if the device is not used for long time.

8. Store the controller

You can store the 3DOF motion controller in the device according to the following picture to avoid the losing.

## ⑥ WARRANTY INFORMATION

### Information

Before warranty expired date you have the rights for repairing, exchanging and returning products with the effective receipt.

1. You can return or exchange (the same model) your device with the effective receipt in 7 days since the purchase date
2. You can exchange the same model of your device with the effective receipt in 15 days since the purchase date
3. You can repair your device for free in 12 months since the purchase date
4. Attached parts have effective date for 3 months.

## **Important Notes**

The Limited Warranty does not cover:

1. Defects or damage resulting from improper using not included in this manual
2. Attached parts except for controller and headset, such as the packing box or gifts
3. Defects or damage resulting from non-authorized modification, changing or repairing
4. Defects or damage resulting from external causes such as collision with an object, fire, flooding, dirt, windstorm, lightning, earthquake or improper use of any electrical source
5. Expire the effective date.

## **FCC STATEMENT**

This device complies with Part 15 of the FCC Rules. Operation is subject to the following two conditions: (1) this device may not cause harmful interference, and (2) this device must accept any interference received, including interference that may cause undesired operation.

This equipment has been tested and found to comply with the limits for a class B digital device, pursuant to part 15 of the FCC Rules. These limits are designed to provide reasonable protection against harmful interference in a residential installation.

This equipment generates, uses and can radiate radio frequency energy and, if not installed and used in accordance with the instructions, may cause harmful interference to radio communications. However, there is no guarantee that interference will not occur in a particular installation. If this equipment does cause harmful interference to radio or television reception, which can be determined by turning the equipment off and on, the user is encouraged to try to correct the interference by one or more of the following measures:

- Reorient or relocate the receiving antenna.
- Increase the separation between the equipment and receiver.

--Connect the equipment into an outlet on a circuit different from that to which the receiver is connected.

--Consult the dealer or an experienced radio/TV technician for help.

Note: Any changes or modifications not expressly approved by the party responsible for compliance could void the user's authority to operate the equipment.

This equipment complies with FCC RF exposure limits set forth for an uncontrolled environment. The equipment must not be co-located or operating in conjunction with any other antenna or transmitter.

## **CE Certification Information:**

Frequency Range: 2.4GHz~2.4835GHz

Maximum Transmit Power: 5.0dBm

Definition of Software Version:

Format: RF01\_bk\_lark2Controller\_svX.XX

"X.XX" stands for the version of firmware, and it will be updated when some changes occurred.

Current version is 1.00.

Hardware Version : 309000119792R4

For more information about Pico' s products, policy and authorized servers, please visit Pico' s official website or official account on WeChat.

**Company Name :** Pico Technology Co., Ltd.

**Tel :** +86 400-6087-666

+86 010-83030050

**Website :** [www.picovr.com](http://www.picovr.com)

**Company Address :** Room 2101, Shining Tower, No.35 Xueyuan Road, HaiDian District, Beijing, The People's Republic of China



Copyright © 2015~2017 Pico Technology Co., Ltd.