

O301DWQ RF specification

GPS 天线/GPS Antenna

供应商/supplier: INPAQ TECHNOLOGY CO., LTD.

型号/model: PA1590MI4G-289-2ZM

PA1590MI4G-289-2ZM

ENGINEERING SPECIFICATION

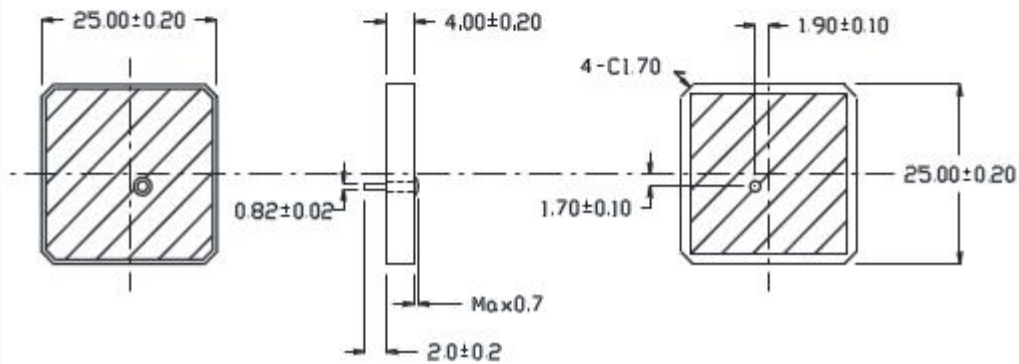
1. Typical Electrical Properties

Characteristics	Specification	Unit	Conditions
Center Frequency	1575.42±2/1602.0±2	MHz	In Customer's model
	1598.7±2	MHz	By Test Ground Plane
Polarization	RHCP		
S11	< -20	dB	By Test Ground Plane
Frequency Temperature Coefficient	0±20	ppm/°C	-40°C to +85°C

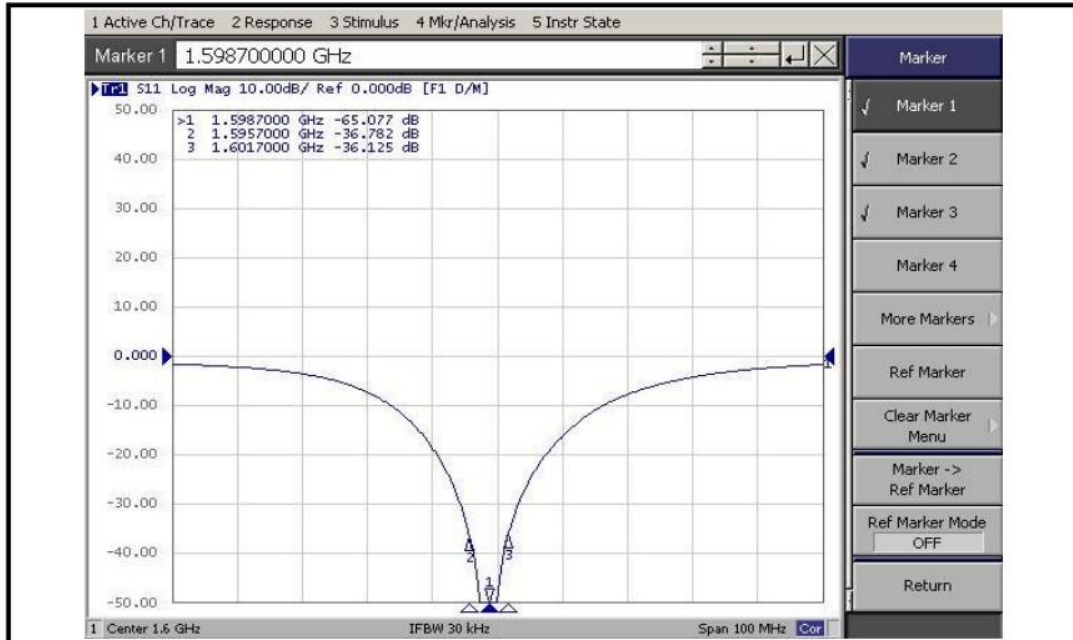
PA1590MI4G-289-2ZM · G: Green parts (RoHS compliance)

-289 are the code of project number, -2ZM show of appendix

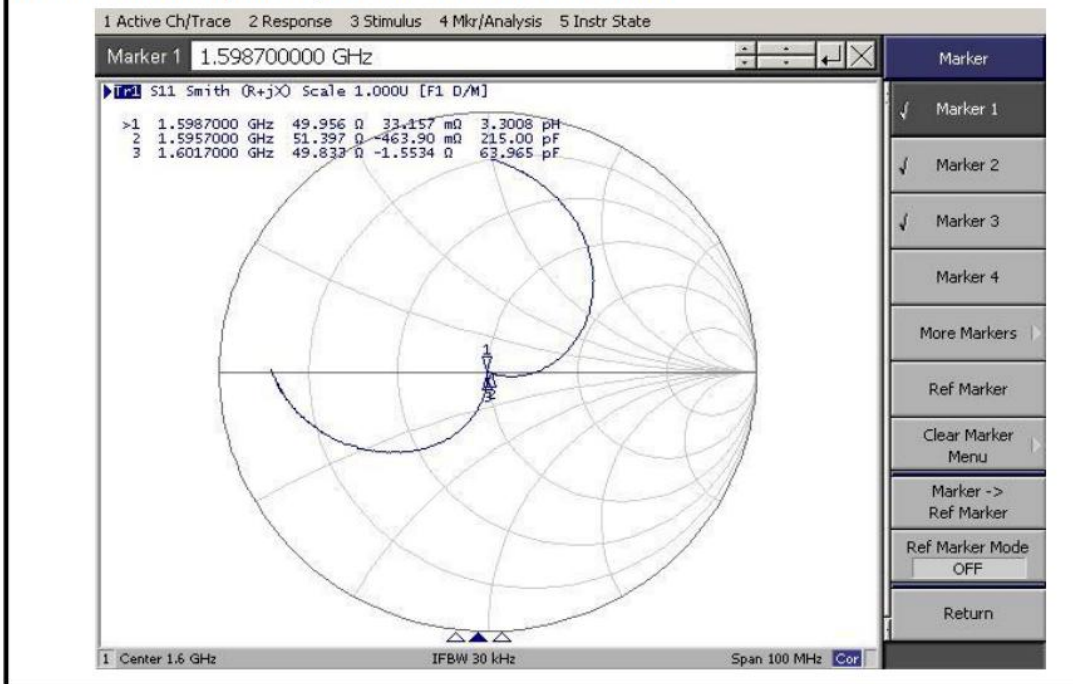
2. Dimension: (Unit: mm)



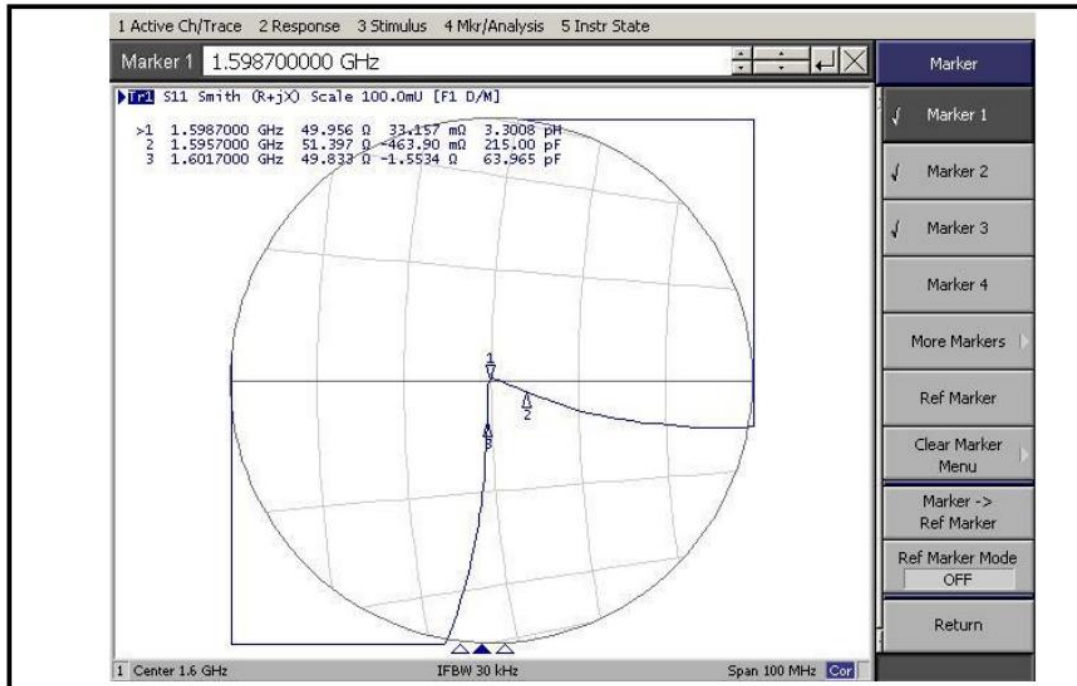
O301DWQ RF specification



5. Measured Input Impedance on a Smith Chart



O301DWQ RF specification



6. Explanation of Appendix

PA1590MI4G -289- 2 Z M
 | | |
 (1) (2) (3)

(1) 2=2.0mm pin Length

(2) Adhesive Tape Z 22×22mm

Adhesive Transfer Tape Specification

1.1 TAPE: D038 22×22×0.16mm

1.2 Thickness : 0.12 ± 5% mm

1.3 Release Liner : 0.1mm (typ.) printed paper or paper

1.4 Dimension : mm

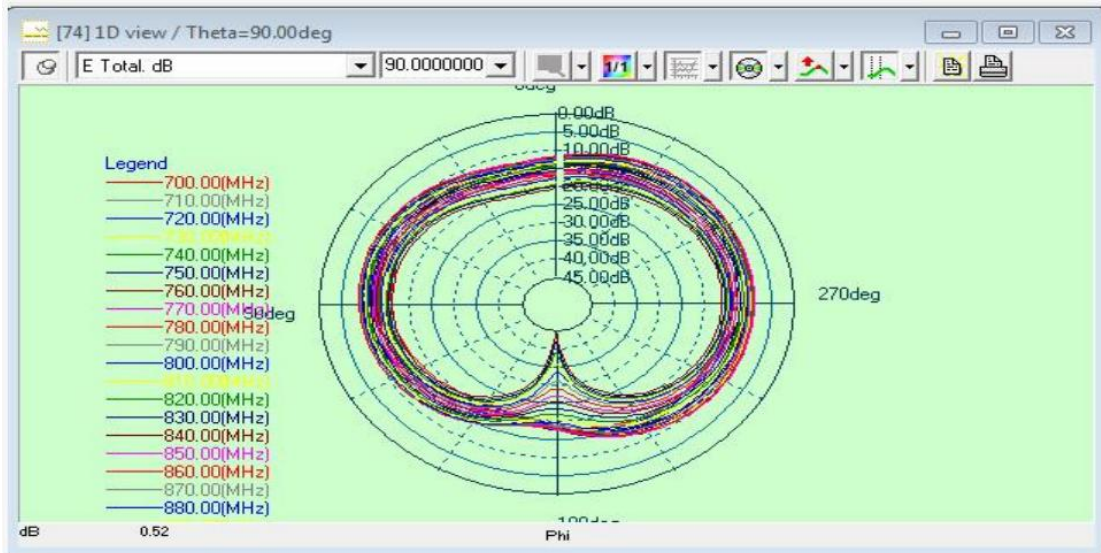
O301DWQ RF specification

LTE Antenna

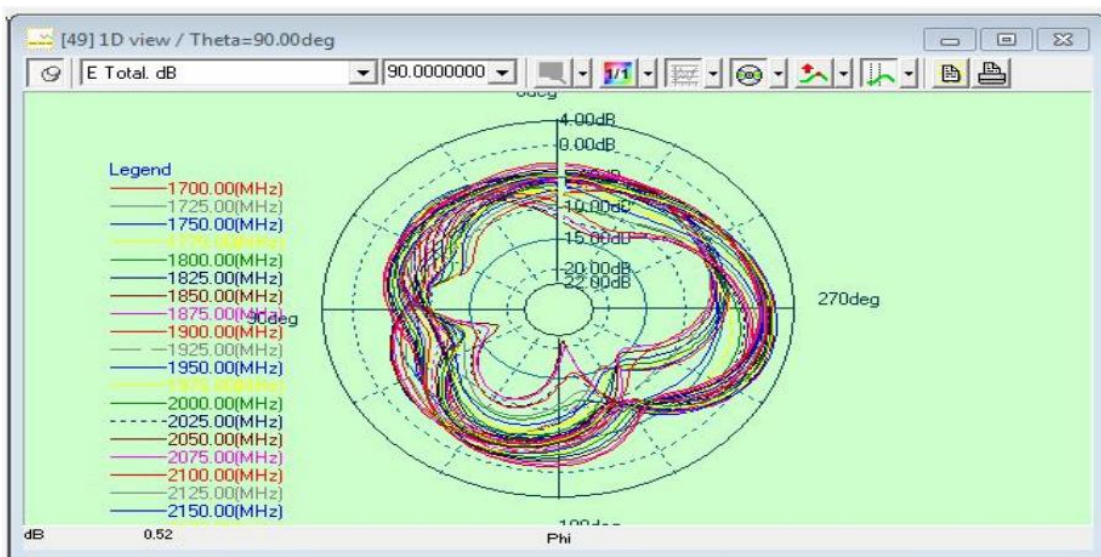
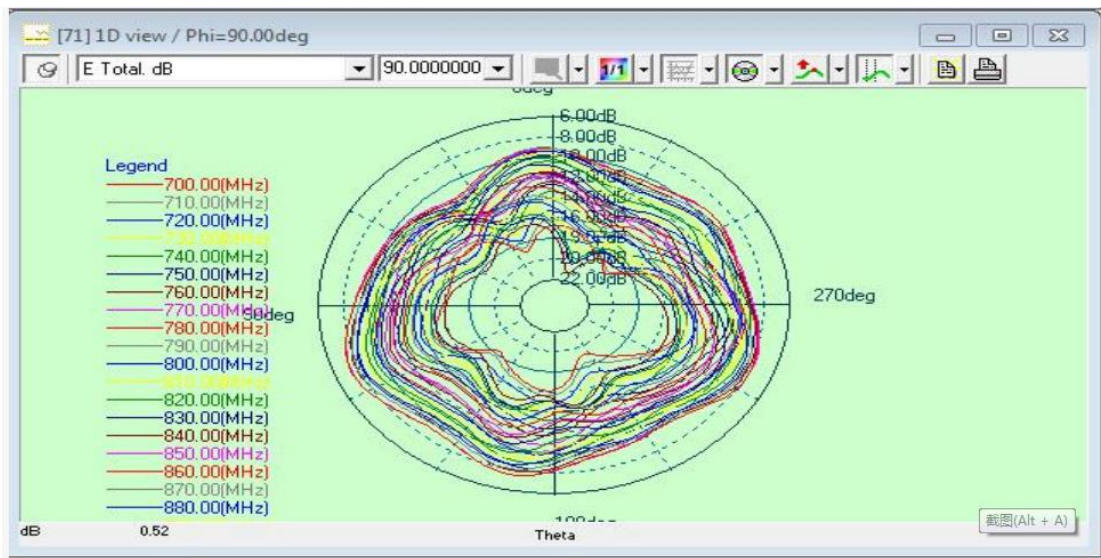
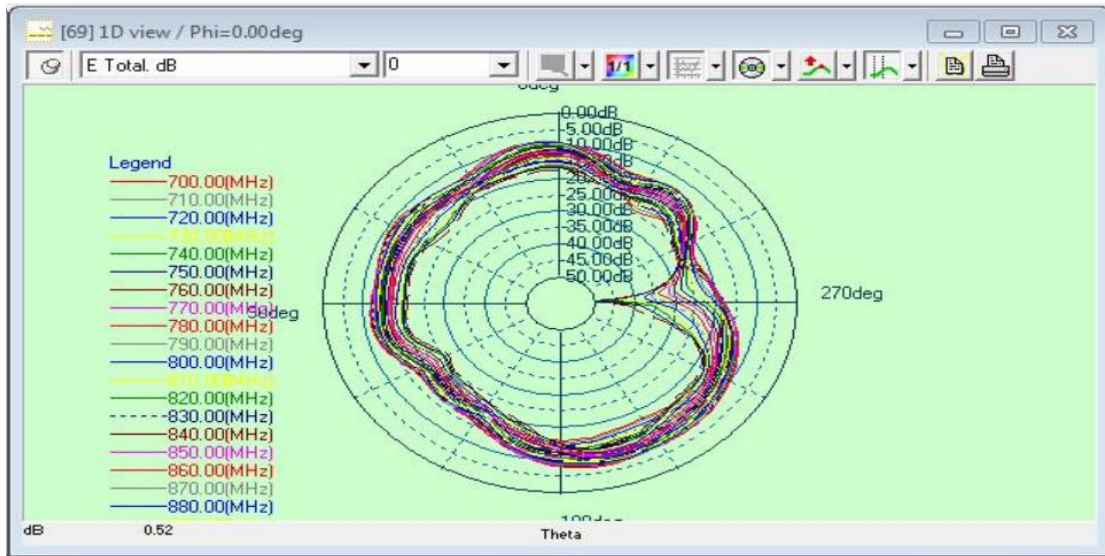
供应商/supplier: SHENZHEN FREQUENCV EXTENSION IOT TECHNOLOGY CO.,LTD.

型号/model: M113-BG95-M1

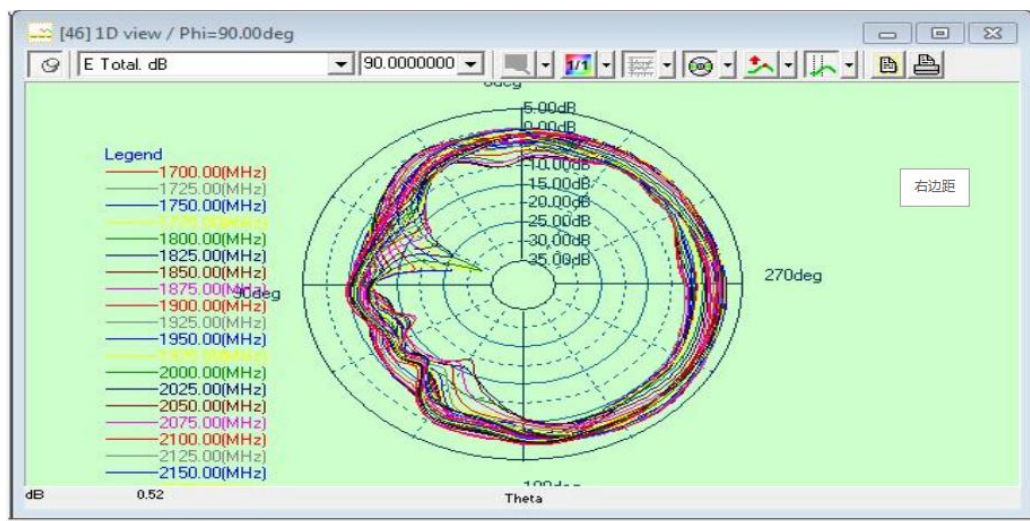
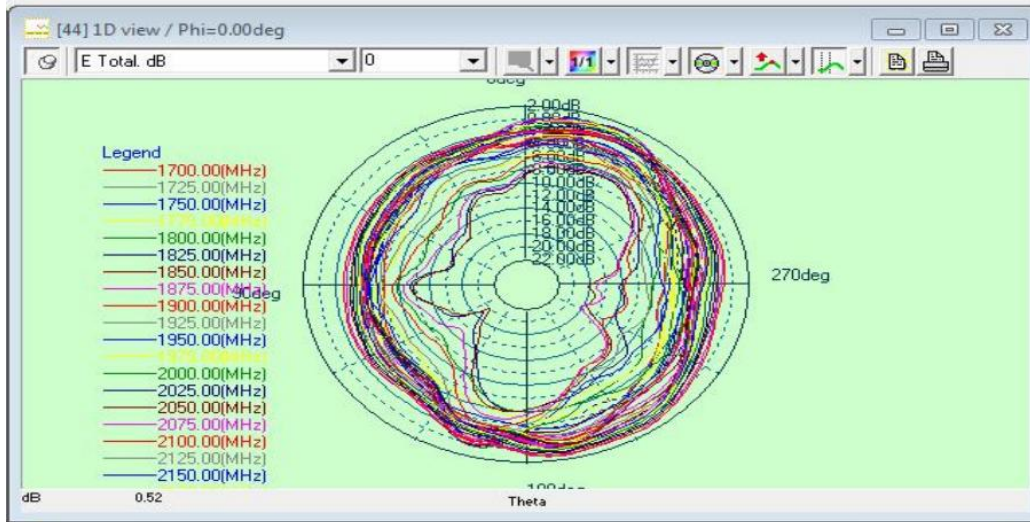
Antenna Performance Table								
Band	Channel No.	TRP (dBm)	TIS (dBm)		Band	Channel No.	TRP (dBm)	TIS (dBm)
eMTC B2	L	16.28			eMTC B7	L	14.78	
	7 ^M	16.49				M	14.57	
	H	16.78	-89.32			H	13.97	-86.33
eMTC B4	L	15.67		eMTC B12	L	14.58		
	M	15.76			M	14.89		
	H	16.27	-88.71		H	14.98	-87.25	
eMTC B5	L	14.21		eMTC B13	L	14.78		
	M	14.18			M	14.89		
	H	13.94	-86.58		H	14.69	-86.95	



O301DWQ RF specification



O301DWQ RF specification



频段 frequency	增益 Gain(dBi)
B2	-1.25
B4	-0.86
B5	-1.3
B7	-0.52
B12	-0.93
B13	-0.81

