

Locator

Product Specification



Product Name: Locator

Product Model : O301

VER: Version 1.0

Manufacturer: Shenzhen Omni Intelligent Technology Co., Ltd.

1 Product Overview

The pet locator is used for pet tracking and positioning; The terminal has 4G network remote control, GPS real-time positioning, Bluetooth communication, mobile detection and positioning tracking. The terminal interacts with the background and Bluetooth and mobile app through 4G network to realize real-time position monitoring of pets.



2 Product Features

The Built in large capacity rechargeable polymer lithium ion battery with long working time.

The Built in microphone for voice monitoring.

The Built-in three-axis accelerometer can realize the movement detection function.

The Built-in GPS positioning module can quickly determine the pet's position.

The Built in WiFi and Bluetooth communication functions, which can directly communicate with mobile app.

The Built in nano SIM card 4G wireless communication module, which can report real-time location and other information through the operator's wireless network IP67 waterproof grade.

3 Technical Parameter

Basic parameters

Item	Description
Input Voltage	4.9-5.5VDC
Input Current	≥ 1000mA (5VDC)
Battery Voltage /Capacity	3.7V/1200mAH Rechargeable polymer lithium ion battery
Battery Life	≥ 20hour (It depends on data reporting frequency and network conditions)

Working Temperature	-20~+60°C
Waterproof grade	IP67
Shell material	PC+10%GF
Overall size	length, width and height: 70.5mm × 34.4mm × 21.9mm
Rope length	Adjustable max. 40cm
SIMCard	NANO-SIM card

4G network parameters

Product version	Use area	4G network parameters
North American Edition	North America	B2/B4/B5/B7/B12/B13

Position parameter

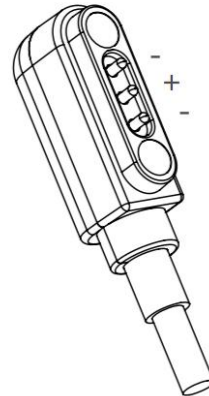
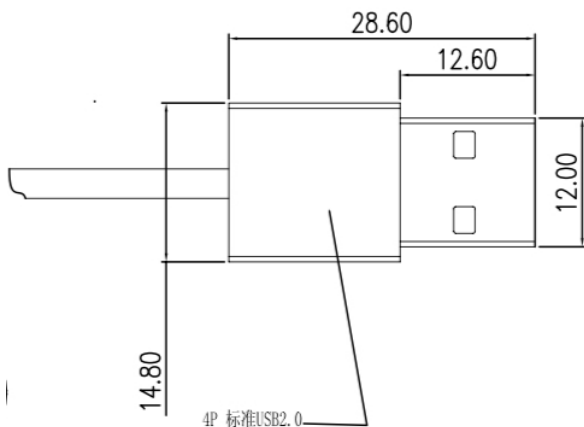
Item	Description
Positioning mode	GPS, GLONASS, BeiDou, Galileo, WiFi assisted positioning
Receiving sensitivity	-158dBm
Start time	Cold start is less than 120 seconds and hot start is less than 30 seconds (open ground, sunny days, no shelter, including coordinate optimization time)
Positioning accuracy	≤15m (open land, no shelter in sunny days)
Positioning conditions	The number of search satellites ≥ 4, and the SNR is greater than 30dB

Bluetooth parameters

Item	Description
Working Frequency	2.4GHz
Bluetooth version	BLE5.2
Communication distance	≥ 10m (open area)

Charging line and interface

Item	Description
Length	950mm
External Diameter	3mm



4 Basic Function Description

Location

It supports single positioning, continuous positioning, tracking and positioning modes, and the moving track recording can remotely issue instructions to obtain the current vehicle position information. Support GPS, GLONASS, Beidou, Galileo and WiFi assisted positioning.

4G communication

Through the server command, you can remotely obtain the pet's location, battery power, temperature and other information

OTA upgrade

Support remote firmware upgrade and Bluetooth upgrade through the server.

Movement detection

It can be positioned according to whether the pet moves on or off, so as to save power

Security fence

When it exceeds the set activity range, the locator will automatically push the message to the app through the network to realize the alarm of pet movement beyond the area

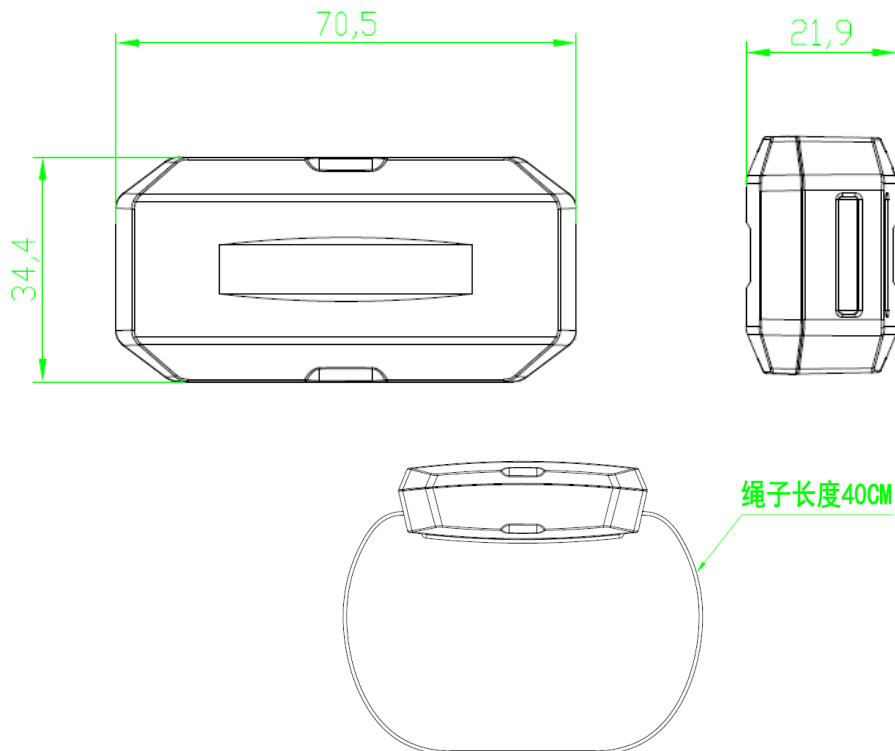
Moving track recording

You can view the pet's moving route within a certain period of time through the app

Tracking and positioning

You can view the real-time location of user terminal (mobile phone) and pets through app to quickly find pets

5 OutlineDimension





FCC Warning Statement

Changes or modifications not expressly approved by the party responsible for compliance could void the user's authority to operate the equipment. This equipment has been tested and found to comply with the limits for a Class B digital device, pursuant to Part 15 of the FCC Rules. These limits are designed to provide reasonable protection against harmful interference in a residential installation. This equipment generates uses and can radiate radio frequency energy and, if not installed and used in accordance with the instructions, may cause harmful interference to radio communications. However, there is no guarantee that interference will not occur in a particular installation. If this equipment does cause harmful interference to radio or television reception, which can be determined by turning the equipment off and on, the user is encouraged to try to correct the interference by one or more of the following measures:

- Reorient or relocate the receiving antenna.
- Increase the separation between the equipment and receiver.
- Connect the equipment into an outlet on a circuit different from that to which the receiver is connected.
- Consult the dealer or an experienced radio/TV technician for help.

FCC Radiation Exposure Statement

The device has been evaluated to meet general RF exposure requirement. The device can be used in portable exposure condition without restriction.