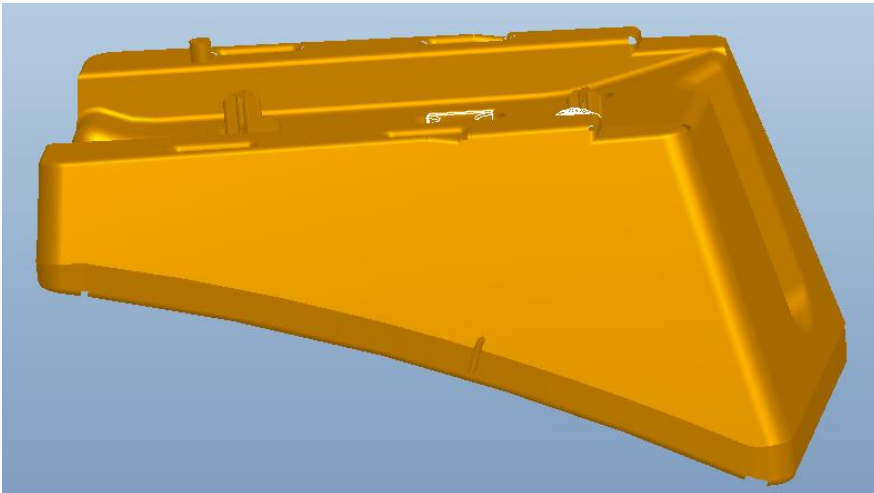


# IoT Controller using manual



**Product Name:** IOT device

**Product Model:** G3-EB-OM-NA-P

## I. Product introduction

This is a sharing scooter iot controller, through 4G GPS, BLE5.2 Bluetooth and smart phone APP for data communication to control the startup/shutdown of the scooter, the cloud server automatically counts the time and deducts the fee.

## II. Product working frequency band

### III. APP installation and registration:

1.For APP download, please go to the official website of corresponding to the mobile phone operating system to download and install it.

2.User account registration and login. This step requires the mobile phone to be connected to the Internet, and the user account is a normal mobile phone number .

3.Deposit recharge, car fare recharge .

### IV. On/off operation instructions:

1.Turn on Bluetooth in the mobile phone system.

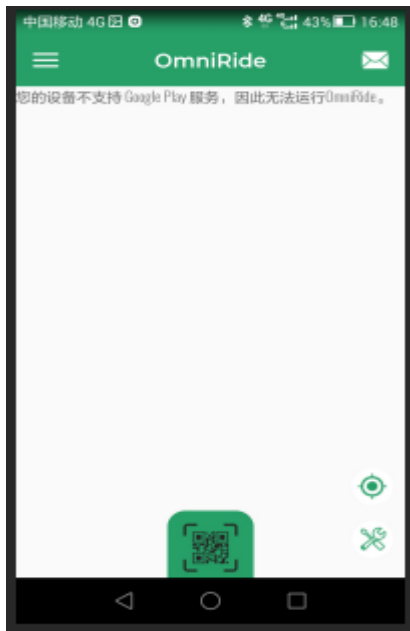
2.Open the APP, click the QR code button in the middle below the APP, enter the scan QR code page, and scan the QR code with the iot controller. When the mobile phone scans and reads the QR code information, the lock will automatically open and enter the state of using the car.

3. When the car is used up, click close the lock, the cloud service will automatically stop the time counting and deduct the charge after receiving the lock.

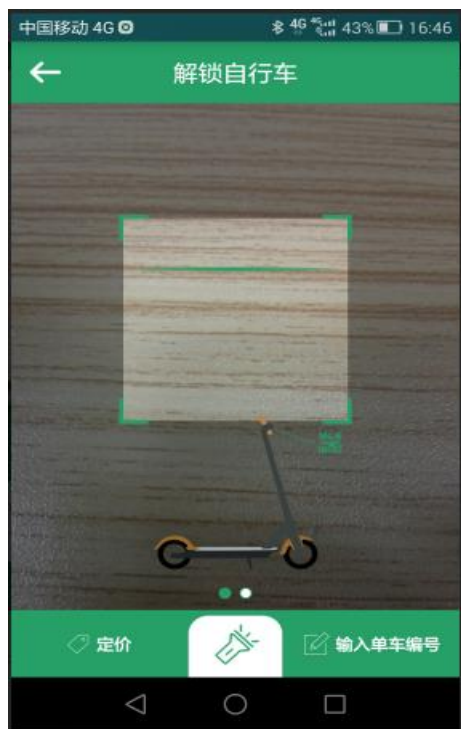
### V. The IOT controller needs to be used with a smart phone, and the mobile phone hardware environment requires:

Android 4.3 or above, hardware support Bluetooth 4.0BLE, the best screen resolution is 1280x720; IOS 7.1 or above, iphone 4s or above.

### VI. APP page introduction



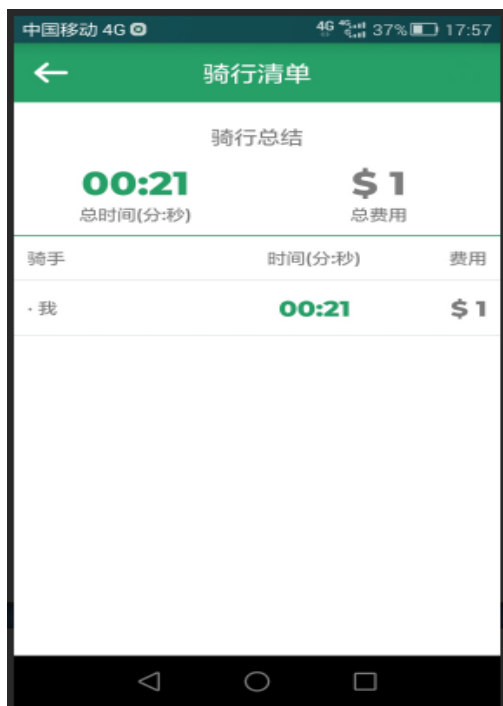
home page



Scan the QR code page



Unlock and using car page



Successful deduction page

## VII. CAUTION

Risk of explosion if the battery is replaced by an incorrect type;  
disposal of a battery into fire or a hot oven, or mechanically crushing or cutting of a battery, that can result in an explosion;  
leaving a battery in an extremely high temperature surrounding environment that can result in an explosion or the leakage of flammable liquid or gas;  
a battery subjected to extremely low air pressure that may result in an explosion or the leakage of flammable liquid or gas

### **Statement:**

This equipment has been tested and found to comply with the limits for a Class B digital device, pursuant to part 15 of the FCC Rules. These limits are designed to provide reasonable protection against harmful interference in a residential installation. This equipment generates, uses and can radiate radio frequency energy and, if not installed and used in accordance with the instructions, may cause harmful interference to radio communications. However, there is no guarantee that interference will not occur in a particular installation. If this equipment does cause harmful interference to radio or television reception, which can be determined by turning the equipment off and on, the user is encouraged to try to correct the interference by one or more of the following measures:

- Reorient or relocate the receiving antenna.
- Increase the separation between the equipment and receiver.
- Connect the equipment into an outlet on a circuit different from that to which the receiver is connected.
- Consult the dealer or an experienced radio/ TV technician for help.

This device complies with part 15 of the FCC Rules. Operation is subject to the following two conditions:

- 1.This device may not cause harmful interference.

2.This device must accept any interference received, including interference that may cause undesired operation.

**Statement:**

Any changes or modifications not expressly approved by the party responsible for compliance could void the user' s authority to operate the equipment.

This equipment complies with FCC and IC radiation exposure limits set forth for an uncontrolled environment. This equipment should be installed and operated with minimum distance 20cm between the your body.

Cet équipement est conforme aux limites d'exposition aux rayonnements spécifiées par fac et IC pour les environnements non contrôlés. L'équipement doit être installé et utilisé à une distance minimale de 20 cm du corps.

This device contains licence-exempt transmitter(s)/receiver(s) that comply with Innovation, Science and Economic Development Canada' s licence-exempt RSS(s). Operation is subject to the following two conditions:

(1) This device may not cause interference.

(2) This device must accept any interference, including interference that may cause undesired operation of the device.

L' émetteur/récepteur exempt de licence contenu dans le présent appareil est conforme aux CNR d' Innovation, Sciences et Développement économique Canada applicables aux appareils radio exempts de licence. L' exploitation est autorisée aux deux conditions suivantes :

(1) L' appareil ne doit pas produire de brouillage;

(2) L' appareil doit accepter tout brouillage radioélectrique subi, même si le brouillage est susceptible d' en compromettre le fonctionnement.