

# M209TKS Intelligent Helmet Lock

## Product Description



**Product name:** Omni Intelligent Helmet Lock

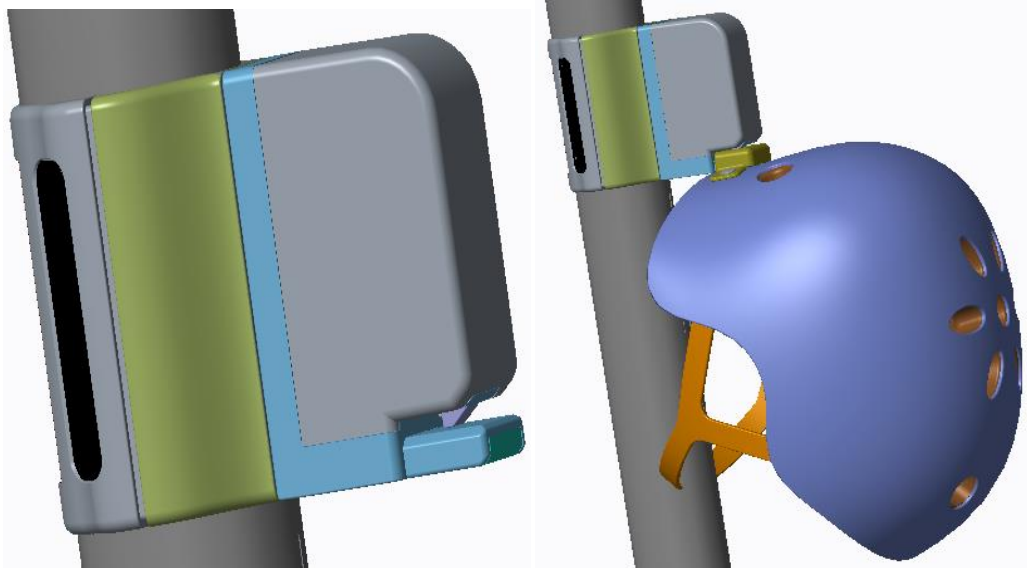
**Product Model:** M209TKS

**Version:**Version 1.0

**Manufacturer:** Shenzhen Omni Intelligent Technology Co.,LTD

## 1: Product overview

The helmet lock is a Bluetooth controlled intelligent helmet lock, which can realize Bluetooth unlocking, automatic locking, helmet identification and other functions. The product is an ultra-low power consumption product, with simple appearance, strong and reliable, high waterproof level, and is suitable for sharing bicycles, scooters and other use environments.



## 2: Product Features

- Built in large capacity Lithium thionyl chloride battery, long working time
- Built in helmet identification technology
- Ble communication function can be connected with IOT or app without wiring, and the helmet lock can be unlocked through IOT or app
- IP67 waterproof grade
- Helmet automatic lock function, convenient return

### 3: Installation instructions



Figure 1

1. Fix the hoop bracket and hoop base on the riser with KM5 countersunk screw

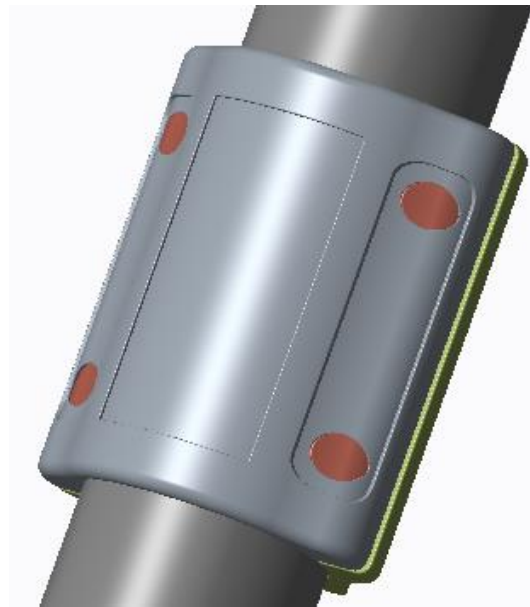


Figure 2

2. Press in the silicone plug

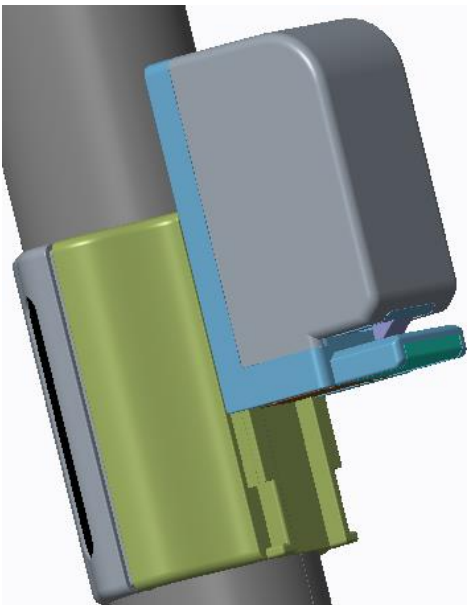


Figure 3

3. Insert the helmet lock host into the hoop base guide rail

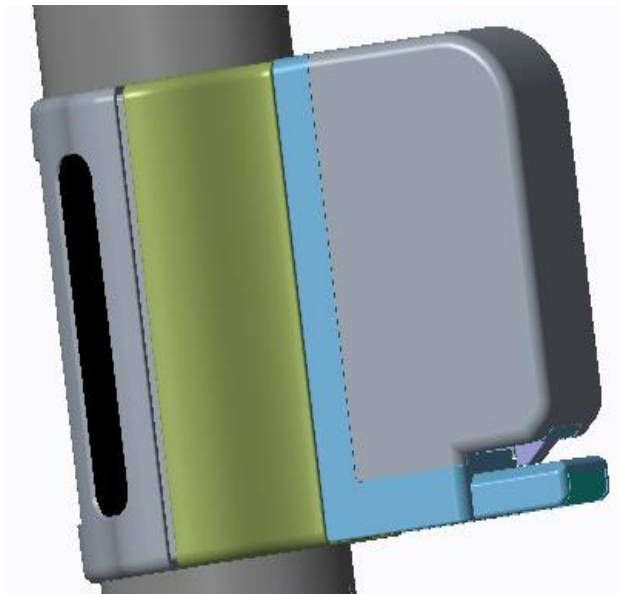


Figure 4

4. Insert the helmet lock into the bottom to complete the installation

## 4: App installation and registration

For app download, please go to the official website of each operator to download the app of the corresponding mobile phone operating system and install, register and log in.

## 5: On / Off instructions

1. Turn on Bluetooth in the mobile phone system
2. Open app and follow app guidance

## 6: app installation



Scan this QR code to download and install (preferably scan in the browser).

If you cannot scan the QR code, you can directly copy this link to download.

<http://www.omnibike.net:8088/OmniTeamApi/others/app/download?packageName=com.omni.production.check>

## 7: FCC compliance statement

This device complies with Part 15 of the FCC Rules. Operation is subject to the following two conditions: (1) this device may not cause harmful interference, and (2) this device must accept any interference received, including interference that may cause undesired operation.

changes or modifications not expressly approved by the party responsible for compliance could void the user's authority to operate the equipment.



This equipment has been tested and found to comply with the limits for a Class B digital device, pursuant to Part 15 of the FCC Rules. These limits are designed to provide reasonable protection against harmful interference in a residential installation. This equipment generates, uses and can radiate radio frequency energy and, if not installed and used in accordance with the instructions, may cause harmful interference to radio communications. However, there is no guarantee that interference will not occur in a particular installation.

If this equipment does cause harmful interference to radio or television reception, which can be determined by turning the equipment off and on, the user is encouraged to try to correct the interference by one or more of the following measures:

- Reorient or relocate the receiving antenna.
- Increase the separation between the equipment and receiver.
- Connect the equipment into an outlet on a circuit different from that to which the receiver is connected.
- Consult the dealer or an experienced radio/TV technician for help.