

Contents

1. Introduction.....	2
2. Product specifications	2
3. Product diagram	3
4. Installation instructions.....	4
Step 1	4
Step 2	5
Step 3	5
5. Reverse logistics.....	6
6. FCC Warning	6
7. CE Warning	7
8. IC Caution	8



1. Introduction

N402PXX is a tracker destined to shipping container monitoring by the collection of data and has been designed to function by being placed on a container's door.

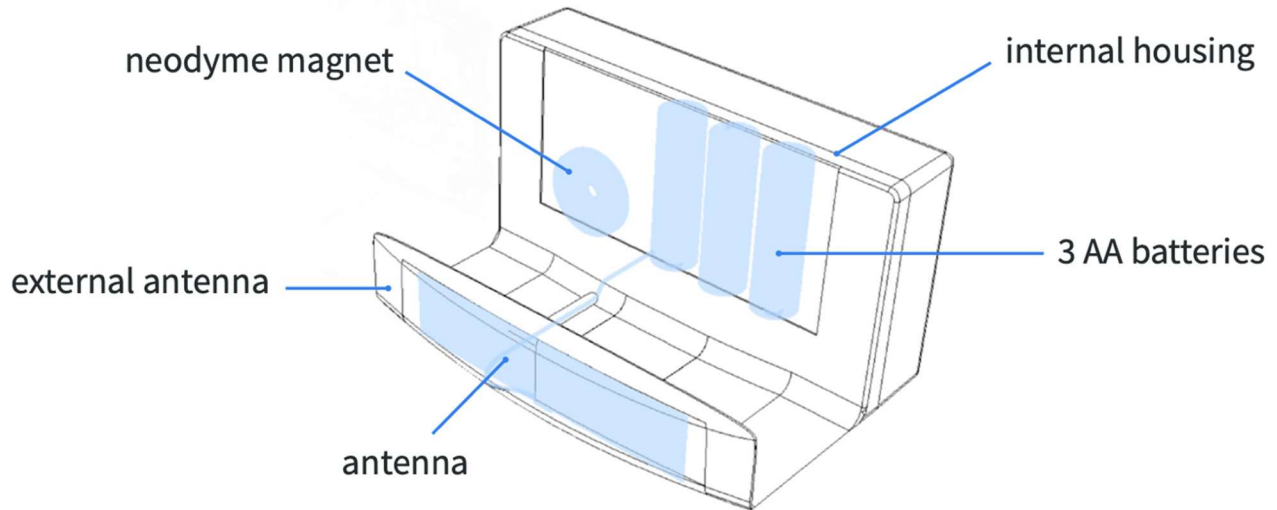
The tracker stays active as long as it is placed on the container door (magnet activation).

Before using the N402 tracker, please read the instructions specified in this guide.

2. Product specifications

Weight	≈250g
Dimensions	135 x 85.5 x 69.5mm
Temperature range + sensor	-40°C to +60°C / -40°F to +140°F
Motion / Orientation sensor	Accelerometer: ±2g to ±16g Gyroscope: ±245 to ±2000dps
Barometric pressure	300 to 1100hPa @±1.0hPa
Relative humidity sensor	0 to 100% @±3%
Ambiant light sensor	Yes
Battery level monitoring	Yes
Battery type	3 x AA (LR6) – L91
Battery life (estimated)	> 2 years (≈shipments)
IP Level	IP67
IK Level	IK7

3. Product diagram



4. Installation instructions



Step 1

Install the device on the container door, the thickest part on the inside, as high as possible (ideally higher than the red mark sometimes present inside the container). Choose the door without the seal on the side (normally on the left).



Step 2

The device will be held by the magnet, which will also detect the tracker's placement and activate it.



Step 3

You can then close the opposite door, whose seal will complete the device's installation by maintaining it safely in place.

5. Reverse logistics

If you wish to retrieve your trackers at the end of an expedition, you must return them yourself. Here are our recommendations for international returns:

- You can use the following HS Code for device returns, which is not subject to custom duties: 8526912099.
- These returns are still subject to 20% VAT, but this is normally recoverable.
- The pro forma invoice is required. We recommend that you use a degressive value when the same device is used multiple times.
- It can also be considered to use an average value (easier to establish but more complicated in terms of justifications in case of control).
- We advise to make grouped returns of about 10 trackers (2.5kg).
- The average price of an international transport is 45€ for 2,5Kg, which represents 4,5€ per tracker.

6. FCC Warning

15.19 Labeling requirements

This device complies with part 15 of the FCC Rules. Operation is subject to the following two conditions:

(1) This device may not cause harmful interference, and (2) this device must accept any interference received, including interference that may cause undesired operation.

15.21 Information to user

Any Changes or modifications not expressly approved by the party responsible for compliance could void the user's authority to operate the equipment.

15.105 Information to user

This equipment has been tested and found to comply with the limits for a Class B digital device, pursuant to Part 15 of the FCC Rules. These limits are designed to provide reasonable protection against harmful interference in a residential installation. This equipment generates uses and can radiate radio frequency energy and, if not installed and used in accordance with the instructions, may cause harmful interference to radio communications. However, there is no guarantee that interference will not occur in a particular installation. If this equipment does cause

harmful interference to radio or television reception, which can be determined by turning the equipment off and on, the user is encouraged to try to correct the interference by one or more of the following measures:

- Reorient or relocate the receiving antenna.
- Increase the separation between the equipment and receiver.
- Connect the equipment into an outlet on a circuit different from that to which the receiver is connected.
- Consult the dealer or an experienced radio/TV technician for help.

This Transmitter must not be co-located or operating in conjunction with any other antenna or transmitter. This equipment should be installed and operated with distance more than 20cm between the radiator & your body.

7. CE Warning

Risk of explosion if battery is replaced by an incorrect type. Dispose of used batteries according to the instructions.

The device complies with RF specifications when the device used more than 20cm from your body. Hereby, TRAXENS declares that this device follows essential requirements and other relevant provisions of Directive 2014/53/EU. This product is allowed to be used in all EU member states.

Frequency bands	Maximum output power
BT-BLE	5.64 dBm (EIRP)
GSM900	35 dBm
DCS1800	32 dBm
LTE Band1	25 dBm

LTE Band3	25 dBm
LTE Band8	25 dBm
LTE Band20	25 dBm
LTE Band28	25 dBm

8. IC Caution

User manuals for licence-exempt radio apparatus shall contain the following or equivalent notice in a conspicuous location in the user manual or alternatively on the device or both.

This device complies with Industry Canada licence-exempt RSS standard(s). Operation is subject to the following two conditions:

(1) this device may not cause interference, and

(2) this device must accept any interference, including interference that may cause undesired operation of the device.

Le présent appareil est conforme aux CNR d'Industrie Canada applicables aux appareils radio exempts de licence. L'exploitation est autorisée aux deux conditions suivantes :

- (1) l'appareil ne doit pas produire de brouillage, et
- (2) l'utilisateur de l'appareil doit accepter tout brouillage radioélectrique subi, même si le brouillage est susceptible d'en compromettre le fonctionnement.

Radio apparatus containing digital circuitry which can function separately from the operation of a transmitter or an associated transmitter, shall comply with ICES-003. In such cases, the labelling requirements of the applicable RSS apply, rather than the labelling requirements in ICES-003. This Class B digital apparatus complies with Canadian ICES-003.

Cet appareil numérique de la classe B est conforme à la norme NMB-003 du Canada.

This equipment should be installed and operated with minimum distance 20 cm between the radiator and your body. Lors de l'installation et de l'exploitation de ce dispositif, la distance entre le radiateur et le corps est d'au moins 20 cm.

Designed and distributed by

Traxens
HELIOPOLIS III,
16 Rue Louis Leprince Ringuet, 13013 Marseille
France

traxens.com

