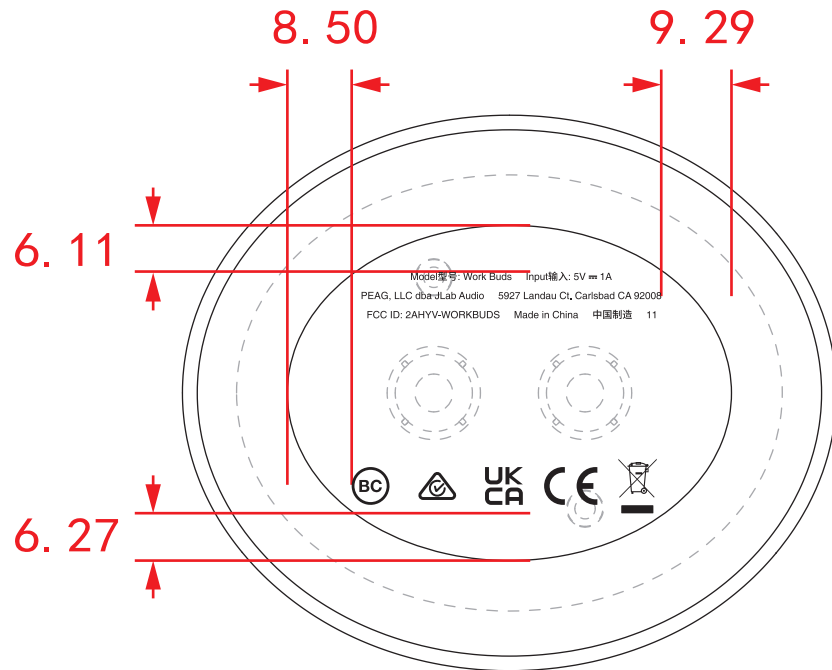
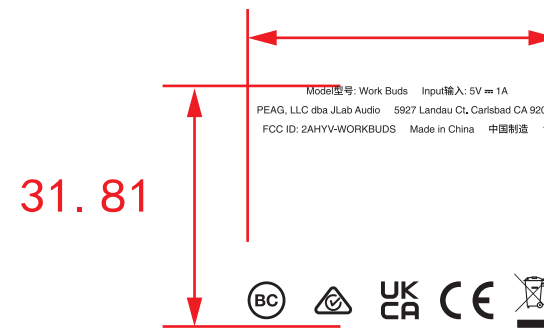


Inner layer of upper shell of charging case:

note: The charging case is also the outer packaging of the product



Radium carving 40.96



Ratio: 2:1

Model型号: Work Buds Input输入: 5V = 1A

PEAG, LLC dba JLab Audio 5927 Landau Ct, Carlsbad CA 92008

FCC ID: 2AHYV-WORKBUDS Made in China 中国制造 11



TW09临时版充电盒上壳里层镭雕图档 (JLAB)

Chart File

型号: TW09	零件名称: 充电盒上壳里层		
制作:	比例: 1:1	单位: mm	日期: 2023.02.15
审批:	编号: RDTW09-07-03D-临时版		

FCC ID in user manual

104 mm



OFFICIAL AUDIO PARTNER OF MAJOR LEAGUE SOCCER

BETTER TOGETHER

JLab is a proud to provide Major League Soccer athletes and gamers with the best personal tech in the locker rooms, for travel and pre-game focus. We're introducing JLab's real innovation and surprisingly awesome value to the passionate, authentic fans of MLS.

FCC ID: 2AHYV-WORKBUDS