

BLUETOOTH PAIRING

- 1 Remove tab and close door.



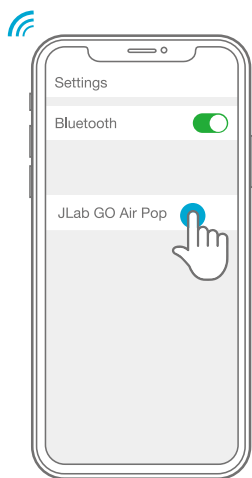
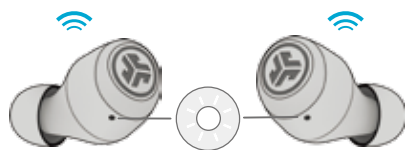
- 2 Red light on case indicates charge. Remove earbuds from case.



- 3 One earbud will blink blue/white indicating ready to pair to your device.



- 4 Select "JLab GO Air Pop" in your device's Bluetooth settings to connect.



Voice prompt "Bluetooth connected" followed by **blinking white lights** will indicate connection.

ADDING NEW/ADDITIONAL BLUETOOTH DEVICES:

Turn OFF Bluetooth from any previously connected device. Turn ON Bluetooth from new device. Take earbuds out of the case. Earbuds will automatically enter Bluetooth Pairing. Select "JLab GO Air Pop" in device settings to connect.

BUTTON FUNCTIONS

LEFT RIGHT



VOLUME DOWN:
Single tap

SIRI (iOS) or "OK GOOGLE" (ANDROID): Double tap

TRACK BACK:
Press & hold 1+ sec

VOLUME UP: Single tap

PLAY/PAUSE: Double tap

TRACK FORWARD:
Press & hold 1+ sec

ANSWER CALL: Single tap

HANG UP: Double tap

REJECT INCOMING CALL: Press & hold 1+ sec

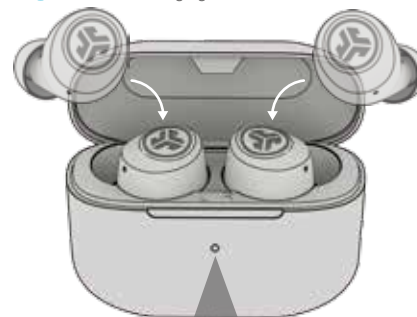
EQ CHANGE: Triple tap

Visit jlab.com/safety to learn how to safely use, including the proper tip installation.

For the latest version of the manual, please visit www.jlab.com/manuals

CHARGING EARBUDS

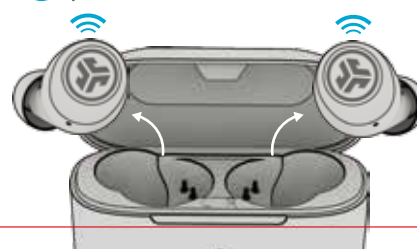
- 1 Earbuds will power off when placed in the case and start charging the earbuds.



Solid Red
Case 100-25%

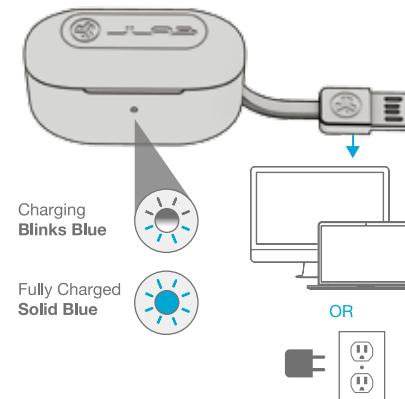
Blinks 4x Red
Case less than 25% (charge case)

- 2 Earbuds will auto power on and connect to your device when removed.



CHARGING CASE

Connect the GO Air Pop into a computer or USB 5V 1A (or less) output device.



Charging
Blinks Blue

Fully Charged
Solid Blue

OR

FITTING



Try all ear tips for best fit and proper seal.



Place the earbud in the ear canal and slightly rotate to adjust for best fit.



SCAN ME

FREE GIFT

when you register this product
jlab.com/register

Product updates | How-to tips
FAQs & more

Gift for US only. No APO/FPO/DPO addresses.

3 MONTHS FREE TIDAL

With purchase. Visit jlab.com/tidal

Shop products | Product alerts
Burn-in your headphones



JLab Store + Burn-in Tool

