

Size:
23.15*11.66mm

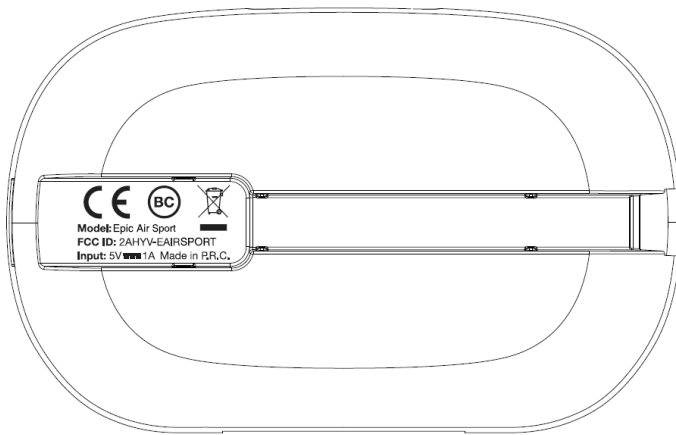
PEAG, LLC dba JLab Audio

7/18/2019

Dear Sirs:

We hereby declare that because the earphone size is too small, the FCC ID number is printed on the charging box, hereby declare.

FCC ID: [2AHYV-EAIRSPORT](#)



Sincerely,

Signature:

Name: Win Cramer

Title: Manager

Company: PEAG, LLC dba JLab Audio