

TVE1020D

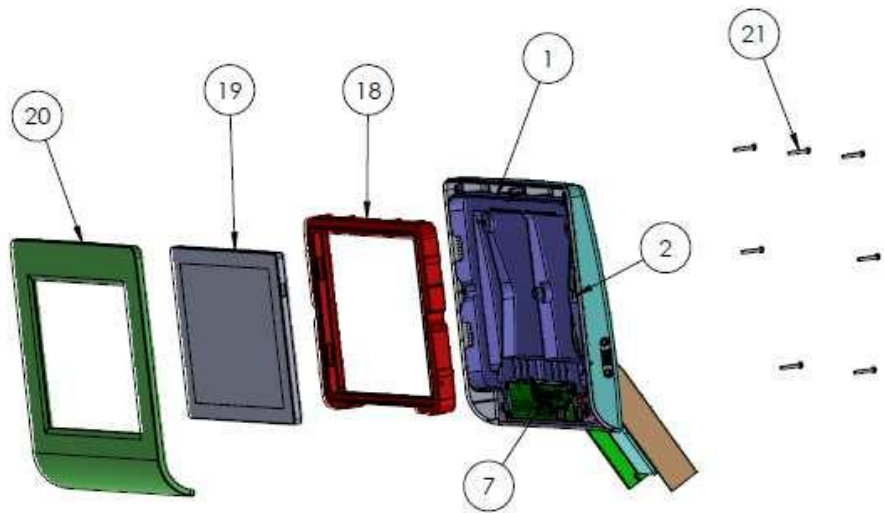
Tablet PC

User Manual

Please read this manual before operating your device and keep it for future reference.

Tablet PC





Assembly Tab

- Pass the USB cable (2) in the tab rubber (18) .
 - Connect the USB cable (2) to the tab (19) .
 - To assemble the tab (19) in the tab rubber (18) and assembling in the HMI structure (1)
 - Connect the pass cable (7) to the tab (19) .
- Assemble the component (20) and screw the screws TB torx M3x20 (21)

The device is on a beauty instrument, which is used at 20cm from your body. And this device cannot use alone or on some other equipment.

This equipment is embedded in the beauty equipment, installed, the beauty instrument will output a 12V voltage to the flat, so that flat panel and beauty equipment connected together, open the instrument switch, the tablet will boot, and then on the tablet security app , By opening APP to control the various beauty equipment debugging and use

Before you begin using your new tablet

Included in the box with your tablet are separate information leaflets. These leaflets provide you with important information regarding your new device. Please read all of the information provided. This information will help you to get the most out of your tablet, reduce the risk of injury, avoid damage to your device, and make you aware of legal regulations regarding the use of this device.

It's important to review the Product Safety and Warranty Information guide before you begin using your new tablet. Please follow all of the product safety and operating instructions and retain them for future reference. Observe all warnings to reduce the risk of injury, damage, and legal liabilities.

Please read and observe the following information for safe and proper use of your tablet and to prevent damage.

- Do not disassemble or open, crush, bend or deform, puncture or shred.
- Repairs under warranty, may include replacement parts or boards that are either new or reconditioned, provided that they have functionality equal to that of the parts being replaced.

- Do not modify or remanufacture, attempt to insert foreign objects into the battery, immerse or expose to water or other liquids, expose to fire, explosion, or other hazard.
- Only use the battery for the system for which it is specified.
- Only use the battery with a charging system that has been qualified with the system per CTIA Certification Requirements for Battery System Compliance to IEEE1725. Use of an unqualified battery or charger may present a risk of fire, explosion, leakage, or other hazard.
- Do not short circuit a battery or allow metallic conductive objects to contact the battery terminals.
- Replace the battery only with another battery that has been qualified with the system per this standard, IEEE-Std-1725. Use of an unqualified battery may present a risk of fire, explosion, leakage or other hazard. Only authorized service providers shall replace battery (If the battery is non-user replaceable).
- Battery usage by children should be supervised.
- Avoid dropping the tablet or battery. If the tablet or battery is dropped, especially on a hard surface, and the user suspects damage, take it to a service center

for inspection.

- Improper battery use may result in a fire, explosion, or other hazard.
- For those host devices that utilize a USB port as a charging source, the host device's user manual shall include a statement that the device shall only be connected to products that bear the USB-IF logo or have completed the USB-IF compliance program.
- Always unplug the charger from the wall socket after the tablet is fully charged to save unnecessary power consumption of the charger.
- Do not place any heavy items on the power cord. Do not damage the power cord by bending, twisting, or heating and do not allow the power cord to be crimped because it may cause an electric shock or fire. Using a power cord with a loose plug may also cause an electric shock or fire.
- If you put your tablet in a bag or briefcase without covering the power port (Charger/USB port), metallic articles (such as a coin, paperclip, pen, etc.) that come into contact with the power plug pin may short-circuit your tablet's battery terminals. This may damage the battery and could cause an explosion. Always cover the power port when not in use.
- Keep the tablet away from babies and small children.

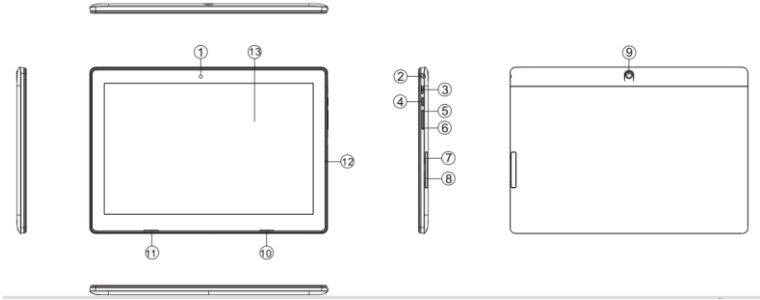
If children are allowed to use the tablet, their parents or legal guardians are responsible for supervising and teaching them how to use it safely according to the manual's safety precautions.

- If liquid from the battery in the tablet comes in contact with skin or clothing, wash the area with fresh water. The battery fluid may cause skin inflammation. If the tablet shows any indication of battery leakage, do not use it. Take it to the nearest service center or dealer for assistance. Be careful that children do not swallow any parts (such as earphone, connection parts of the device, etc.). This could cause asphyxiation or suffocation resulting in serious injury or death.
- Do not handle the tablet with wet hands while it is being charged. It may cause an electric shock or seriously damage your tablet.
- Do not use harsh chemicals (such as alcohol, benzene, thinners, etc.) or detergents to clean your tablet. This could cause a fire.

Parts list

Parts	Quantity
Tablet PC	1
User Guide	1
USB Cable	1

Tablet Overview



- 1. Headset jack** Allow you to plug in an optional listening accessory, such as headphones to listen to music.
- 2. MicroSD card slot** Allow you to insert your microSD card to store your personal data files (music, videos, photos, etc.).
- 3. Speaker** Use to listen to the audio from the selected function (e.g., music, videos, sound clips, etc.).
- 4. Microphone** Use to record sound.
- 5. Touch screen:** Display application software interface and interact with application software.

Turning Your Device On and Off

Turning your device on

- Press and hold the Power/Lock Key more than 3 seconds.

Turning your device off

- Press and hold the Power/Lock Key more than 1 seconds.
- At the prompt, touch Power off OK.

Locking the device manually

- Press the Power/Lock Key

Unlocking the Device

- Press the Power/Lock Key and the lock screen displays.
- Swipe across the screen



Memory Card

Your device supports removable microSD memory cards with maximum capacities of 64 GB (depending on the memory card manufacturer and type). Memory cards are used to store music, photos, videos, and other files.

Installing a Memory Card

- With the gold contacts facing down, carefully slide the memory card into the slot.

Removing a Memory Card

- From a Home screen, touch  Apps  Settings Storage.
- Under SD card, touch Unmount SD card.
- Open the Memory Card Slot cover and carefully pull the card out.

WARNING! To prevent damage to information stored on the memory card, unmount the card before removing it from the device.

Setting up your device

When you first turn on your device, you are asked to set up a few things. To do that, the following screens display. Some screens can be skipped (touch Skip) or re-displayed (touch Back). Some screens display depending on the options you choose.

Select Language

- Touch the language field, scroll through the list, and touch the language you want your device to use, such as, English (United States).
- Touch **Start**.

Wifi

Make sure the Wi-Fi **OFF** / **ON** icon is set to **ON** and choose one of the following options:

- Touch **Add Wi-Fi network** to enter a Network SSID that is not listed.
- Touch **Scan** to make sure you have an accurate list of Wi-Fi networks.
- Touch one of the Wi-Fi networks in the list, enter the password, and touch **Connect**. Touch and connect to another Wi-Fi network or touch **Next** to continue.

Set Date and Time

- Touch the time zone field (GMT+00:00) and select the correct time zone.
- Under **Date**, set the date (month, day, year), if necessary.
- Under **Time**, set the time (hour, minute, and AM or PM), if necessary.
- Touch **Next**.

Applications

The following is an alphabetical list of the applications that come preloaded on your device.



Calculator: The calculator provides the basic arithmetic functions to solve simple arithmetic problems and advanced operators to solve more complex problems.



Downloads: Files, apps, and other items you download in Internet, Gmail, Email, or in other ways, are stored on your tablet's internal storage. Use the Downloads app to view, reopen, or delete what you have downloaded.



Email: Send and receive email from your device. A shortcut to Email displays on a Home screen by default.



Gallery: View and manage photos stored on your device.



Gmail: Send and receive email with Gmail, Google's web-based email.



Internet: Access the Internet. A shortcut to Internet displays on the main Home screen by default.



Maps: Find locations and get directions with Google maps. A shortcut to Maps displays on the main Home screen by default.



Music Player: Play music and other audio files that you copy from your computer.



Play Movies: Use the Play Movies app to view movies you rent from Google Play™ Movies or play any of your personal videos stored on your tablet.



Play Store: Browse, download, and install Android applications. A shortcut to Play Store displays on the main Home screen by default.



Search: Search the web by typing or speaking.



Settings: Configure your device to your preferences. A shortcut to Settings displays on a Home screen by default.



World Clock: View the date and time in any time zone. And schedule alarms to remind you of appointments or events, or as a wake-up.

Features

Model	TVE1020D
CPU	Intel Z8350, 1.44 GHz,
OS	Android 5.1
RAM	16bits/32bits DDR3L-1666, LPDDR3-1666
Memory	4G eMMC
Display	10.1 inch 1920*1200 IPS Panel
Wi-Fi	802.11b/g/n
Bluetooth	BT-V4.0
G-sensor	Yes
Microphones	Built-in / 1 MIC
Speaker	2*0.8W
Power	Adaptor 12V/2A
Dimension	260*168*8.5mm
Weight	400g

Troubleshooting

This chapter lists some problems you might encounter when using your tablet. Some problems require you to call your service provider, but most are easy to fix yourself.

No applications can be set	
Requested function is not supported by your service provider or registration is required.	Contact your service provider.
Impossible to receive / send photos	
Tablet internal memory is full.	Delete some images you're your tablet.
Files do not open	
Unsupported file format.	
No sound	
The tablet is set to silent mode or vibration mode.	Check the Sound Profile in the Sound menu to make sure that the tablet is not set to Silent mode or Vibration mode.
Hangs up or freezes	Check the supported file formats.
Intermittent software problem.	

Manufacturer's Name:

Techvision Intelligent Technology Co.,Ltd.

Tablet PC

Model number: TVE1020D

Operating Temperature: -10° C to 40° C

This device was tested for typical body-worn operations. To comply with RF exposure requirements, a minimum separation distance of 20cm must be maintained between the user's body and the handset, including the antenna. Third-party belt-clips, holsters, and similar accessories used by this device should not contain any metallic components.

This device in compliance with the essential requirements and other relevant provisions of Directive 1999/5/EC. All essential radio test suites have been carried out.

3.The product shall only be connected to a USB interface of version USB 2.0

6. The device complies with RF specifications when the device used at 20cm form your body

C E0700



1. Use careful with the earphone maybe possible excessive sound pressure from earphones and headphones can cause hearing