

LPG

# TVE1002D

Tablet PC

User Manual

Please read this manual before operating your  
device and keep it for future reference.

**Applicant: Techvision Intelligent Technology Co.,Ltd.**

Address: 5F, No.2 Building, District D,TCL international E City, NO.1001 Zhongshanyuan Road, Nanshan District, ShenZhen , P.R.China

## Before you begin using your new tablet

Included in the box with your tablet are separate information leaflets. These leaflets provide you with important information regarding your new device. Please read all of the information provided. This information will help you to get the most out of your tablet, reduce the risk of injury, avoid damage to your device, and make you aware of legal regulations regarding the use of this device.

It's important to review the Product Safety and Warranty Information guide before you begin using your new tablet. Please follow all of the product safety and operating instructions and retain them for future reference. Observe all warnings to reduce the risk of injury, damage, and legal liabilities.

Please read and observe the following information for safe and proper use of your tablet and to prevent damage.

- Do not disassemble or open, crush, bend or deform, puncture or shred.
- Repairs under warranty, may include replacement parts or boards that are either new or reconditioned, provided that they have functionality equal to that of the parts being replaced.

- Do not modify or remanufacture, attempt to insert foreign objects into the battery, immerse or expose to water or other liquids, expose to fire, explosion, or other hazard.
- Only use the battery for the system for which it is specified.
- Only use the battery with a charging system that has been qualified with the system per CTIA Certification Requirements for Battery System Compliance to IEEE1725. Use of an unqualified battery or charger may present a risk of fire, explosion, leakage, or other hazard.
- Do not short circuit a battery or allow metallic conductive objects to contact the battery terminals.
- Replace the battery only with another battery that has been qualified with the system per this standard, IEEE-Std-1725. Use of an unqualified battery may present a risk of fire, explosion, leakage or other hazard. Only authorized service providers shall replace battery (If the battery is non-user replaceable).
- Battery usage by children should be supervised.
- Avoid dropping the tablet or battery. If the tablet or battery is dropped, especially on a hard surface, and the user suspects damage, take it to a service center

for inspection.

- Improper battery use may result in a fire, explosion, or other hazard.
- For those host devices that utilize a USB port as a charging source, the host device's user manual shall include a statement that the device shall only be connected to products that bear the USB-IF logo or have completed the USB-IF compliance program.
- Always unplug the charger from the wall socket after the tablet is fully charged to save unnecessary power consumption of the charger.
- Do not place any heavy items on the power cord. Do not damage the power cord by bending, twisting, or heating and do not allow the power cord to be crimped because it may cause an electric shock or fire. Using a power cord with a loose plug may also cause an electric shock or fire.
- If you put your tablet in a bag or briefcase without covering the power port (Charger/USB port), metallic articles (such as a coin, paperclip, pen, etc.) that come into contact with the power plug pin may short-circuit your tablet's battery terminals. This may damage the battery and could cause an explosion. Always cover the power port when not in use.
- Keep the tablet away from babies and small children.

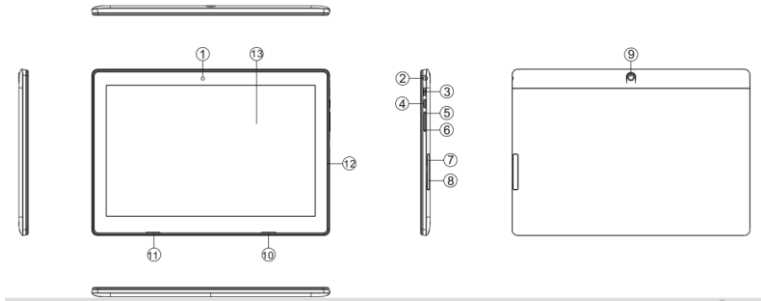
If children are allowed to use the tablet, their parents or legal guardians are responsible for supervising and teaching them how to use it safely according to the manual's safety precautions.

- If liquid from the battery in the tablet comes in contact with skin or clothing, wash the area with fresh water. The battery fluid may cause skin inflammation. If the tablet shows any indication of battery leakage, do not use it. Take it to the nearest service center or dealer for assistance. Be careful that children do not swallow any parts (such as earphone, connection parts of the device, etc.). This could cause asphyxiation or suffocation resulting in serious injury or death.
- Do not handle the tablet with wet hands while it is being charged. It may cause an electric shock or seriously damage your tablet.
- Do not use harsh chemicals (such as alcohol, benzene, thinners, etc.) or detergents to clean your tablet. This could cause a fire.

## Parts list

Parts	Quantity
Tablet PC	1
User Guide	1
AC Adaptor	1
USB Cable	1

## Tablet Overview



**1. Front camera** Use to take pictures and record videos of yourself. You can also use this for video chatting. Keep it clean for optimal performance.

**2. Headset jack** Allow you to plug in an optional listening accessory, such as headphones to listen to music.

**3. USB/Charging port** Allow you to connect the tablet and the USB cable for use with the charger adapter, your PC, or other compatible accessories.

**4. Power/Lock Key** Press to lock/unlock the screen. Press and hold to turn the tablet on/off, restart it, and activate/ deactivate airplane mode.

**5. Volume Keys +** Allow you to adjust the media volumes. Press it to increase the volume.

**6. Volume Keys -** Allow you to adjust the media volumes.

Press it to decrease the volume.

**7. MicroSD card slot** Allow you to insert your microSD card to store your personal data files (music, videos, photos, etc.).

**8. Rear camera** Use to take photos and record videos. Keep it clean for optimal performance.

**9. Speaker** Use to listen to the audio from the selected function (e.g., music, videos, sound clips, etc.).

**10. Microphone** Use to record sound.

**11. Touch screen:** Display application software interface and interact with application software.

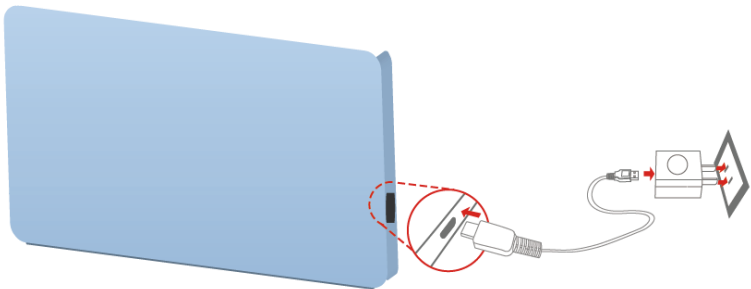


## Charging your tablet

A rechargeable battery is used to power your tablet. Charge the battery using the USB cable (power cord) and the charger (power outlet adapter) included with your tablet. Make sure to fully charge the battery before using your tablet for the first time.

**WARNING!** If the touchscreen won't function while the tablet's in the process of charging, this may be due to an unstable power supply. If this occurs, disconnect the USB cable from the tablet or unplug the charger from the power outlet.

Connect the USB cable to the travel adapter and insert the other end of the USB cable into the USB/Charging port.



## Turning Your Device On and Off

### Turning your device on

- Press and hold the Power/Lock Key more than 3 seconds.

### Turning your device off

- Press and hold the Power/Lock Key more than 1 seconds.
- At the prompt, touch Power off → OK.

### Locking the device manually

- Press the Power/Lock Key

### Unlocking the Device

- Press the Power/Lock Key and the lock screen displays.
- Swipe across the screen

## Memory Card



Your device supports removable microSD memory cards with maximum capacities of 64 GB (depending on the memory card manufacturer and type). Memory cards are used to store music, photos, videos, and other files.

### Installing a Memory Card

- With the gold contacts facing down, carefully

slide the memory card into the slot.

### Removing a Memory Card

- From a Home screen, touch  Apps →  Settings → Storage.
- Under SD card, touch Unmount SD card.
- Open the Memory Card Slot cover and carefully pull the card out.

**WARNING!** To prevent damage to information stored on the memory card, unmount the card before removing it from the device.

## Setting up your device

When you first turn on your device, you are asked to set up a few things. To do that, the following screens display. Some screens can be skipped (touch Skip) or re-displayed (touch Back). Some screens display depending on the options you choose.

### Select Language

- Touch the language field, scroll through the list, and touch the language you want your device to use, such as, English (United States).
- Touch **Start**.

### Wifi

Make sure the Wi-Fi **OFF / ON** icon is set to **ON** and choose one of the following options:

- Touch Add Wi-Fi network to enter a Network SSID that is not listed.
- Touch **Scan** to make sure you have an accurate list of Wi-Fi networks.
- Touch one of the Wi-Fi networks in the list, enter the password, and touch **Connect**. Touch and connect to another Wi-Fi network or touch **Next** to continue.

### Set Date and Time

- Touch the time zone field (GMT+00:00) and select the correct time zone.
- Under Date, set the date (month, day, year), if necessary.
- Under Time, set the time (hour, minute, and AM or PM), if necessary.
- Touch Next.

## Applications

The following is an alphabetical list of the applications

that come preloaded on your device.



**Calculator:** The calculator provides the basic arithmetic functions to solve simple arithmetic problems and advanced operators to solve more complex problems.



**Camera:** Take photos or record videos. A shortcut to Camera displays on a Home screen by default.



**Downloads:** Files, apps, and other items you download in Internet, Gmail, Email, or in other ways, are stored on your tablet's internal storage. Use the Downloads app to view, reopen, or delete what you have downloaded.



**Email:** Send and receive email from your device. A shortcut to Email displays on a Home screen by default.



**Gallery:** View and manage photos stored on your device.



**Gmail:** Send and receive email with Gmail, Google's web-based email.



**Internet:** Access the Internet. A shortcut to Internet displays on the main Home screen by default.

**Maps:** Find locations and get directions with Google maps. A shortcut to Maps displays on the

main Home screen by default.



**Music Player:** Play music and other audio files that you copy from your computer.



**Play Movies:** Use the Play Movies app to view movies you rent from Google Play™ Movies or play any of your personal videos stored on your tablet.



**Play Store:** Browse, download, and install Android applications. A shortcut to Play Store displays on the main Home screen by default.



**Search:** Search the web by typing or speaking.



**Settings:** Configure your device to your preferences. A shortcut to Settings displays on a Home screen by default.



**World Clock:** View the date and time in any time zone. And schedule alarms to remind you of appointments or events, or as a wake-up.

## Features

Model	TVE1002D
CPU	Intel Z8300, 1.44 GHz,
OS	Android 6.0
RAM	1G/2G DDR3
Memory	16G/32G eMMC
Display	10.1 inch 1280*800 IPS Panel
Battery	8000mAh
Camera	Front 2M, Rear 5M
Wi-Fi	802.11b/g/n
Bluetooth	BT-V4.0
G-sensor	Yes
Microphones	Built-in / 1 MIC
Speaker	2*0.8W
Charger	Adaptor 5V/2A
Dimension	260*168*8.5mm
Weight	600g

## Troubleshooting

This chapter lists some problems you might encounter when using your tablet. Some problems require you to call your service provider, but most are easy to fix yourself.

No applications can be set	
Requested function is not supported by your service provider or registration is required.	Contact your service provider.
Charging error	
The battery is not charged.	Charge the battery.
The outside temperature is too hot or too cold.	Charge the tablet in a location that is within the recommended temperature range (32oF - 113oF).
The battery has a contact problem.	Check the charger and its connection to the tablet.
No voltage detected.	Plug the charger into a different power outlet.
The charger is defective.	Replace the charger.
Using the wrong charger.	Use only genuine LG accessories.
Impossible to receive / send photos	
Tablet internal memory is full.	Delete some images you're your tablet.
Files do not open	



Unsupported file format.	Check the supported file formats.
No sound	
The tablet is set to silent mode or vibration mode.	Check the Sound Profile in the Sound menu to make sure that the tablet is not set to Silent mode or Vibration mode.
Hangs up or freezes	
Intermittent software problem.	Try to perform a software update via the website.

### FCC WARNING:

This device complies with part 15 of the FCC Rules. Operation is subject to the condition that this device does not cause harmful interference

Any changes or modifications not expressly approved by the party responsible for compliance

could void the user's authority to operate the equipment.

NOTE: This equipment has been tested and found to comply with the limits for a Class B digital device, pursuant to Part 15 of the FCC Rules. These limits are designed to provide reasonable protection against harmful interference in a residential installation. This equipment generates, uses and can radiate radio frequency energy and, if not installed and used in accordance with the instructions, may cause harmful interference to radio communications. However, there is no guarantee that interference will not occur in a particular installation.

If this equipment does cause harmful interference to radio or television reception, which can be determined by turning the equipment off and on, the user is encouraged to try to correct the interference by one or more of the following measures:

-- Reorient or relocate the receiving antenna.

- Increase the separation between the equipment and receiver.
- Connect the equipment into an outlet on a circuit different from that to which the receiver is connected.
- Consult the dealer or an experienced radio/TV technician for help.

Specific Absorption Rate (SAR) information:

This Mobile Phone meets the government's requirements for exposure to radio waves. The guidelines are based on standards that were developed by independent scientific organizations through periodic and thorough evaluation of scientific studies. The standards include a substantial safety margin designed to assure the safety of all persons regardless of age or health.

FCC RF Exposure Information and Statement The SAR limit of USA (FCC) is 1.6 W/kg averaged over one gram of tissue. Device types: TVE1002D (FCC ID: 2AHYJ1002D) has also been tested against this SAR limit. The highest SAR value reported under this standard during product certification when properly worn on the body is 0.478W/kg. This device was tested for typical body-worn operations with the back of the handset kept 0mm from the body. To maintain compliance with FCC RF exposure requirements, use accessories that maintain a 0mm separation distance between the user's body and the back of the handset. The use of belt clips, holsters and similar accessories should not contain metallic components in its assembly. The use of accessories that do not satisfy these requirements may not comply with FCC RF exposure requirements, and should be avoided.

Body-worn Operation

This device was tested for typical body-worn operations. To comply with RF exposure requirements, a minimum separation distance of 0mm must be maintained between the user's body and the handset, including the antenna. Third-party belt-clips, holsters, and similar accessories used by this device should not contain any metallic components. Body-worn accessories that do not meet these requirements may not comply with RF exposure requirements and should be avoided. Use only the supplied or an approved

antenna.

IC Caution:

RSS-Gen Issue 4 December 2014" & "CNR-Gen 4e D é cembre 2014:

- English:

This device complies with Industry Canada licence-exempt RSS standard(s).

Operation is subject to the following two conditions: (1) This device may not cause interference, and (2) This device must accept any interference, including interference that may cause undesired operation of the device.

- French:

Le présent appareil est conforme aux CNR d'Industrie Canada applicables aux appareils radio exempts de licence. L'exploitation est autorisée aux deux conditions suivantes:

(1) l'appareil ne doit pas produire de brouillage, et

(2) l'utilisateur de l'appareil doit accepter tout brouillage radio électrique subi, même si le brouillage est susceptible d'en compromettre le fonctionnement.

IC RF Exposure Information and Statement The SAR limit of Canada (C) is 1.6 W/kg averaged over one gram of tissue. Device types: (IC: 22201-TVE1002D) has also been tested

against this SAR limit

According to this standard, the highest SAR value reported during product certification for body use is 0.641 W / kg,

The device was tested for typical bodily operations where the product was kept 0mm from the body. To maintain compliance with IC RF exposure requirements, use accessories that maintain a separation distance of 0mm between the user's body and the back of the phone.

The use of belt clips, holsters and similar accessories shall not contain metal parts in its assembly. Use of accessories that do not meet these requirements may not comply with IC RF

exposure requirements and should be avoided.

Body wear operation

The device was subjected to a typical body manipulation test. In order to comply with RF exposure requirements, a minimum separation distance of 0mm must be maintained between

the user's body and the product (including the antenna). The accessories used in this equipment should not contain any metal parts. Body wearing accessories that do not meet these requirements may not meet RF exposure requirements and should be avoided. Use only

the supplied or approved antenna.

IC: 22201-TVE1002D