
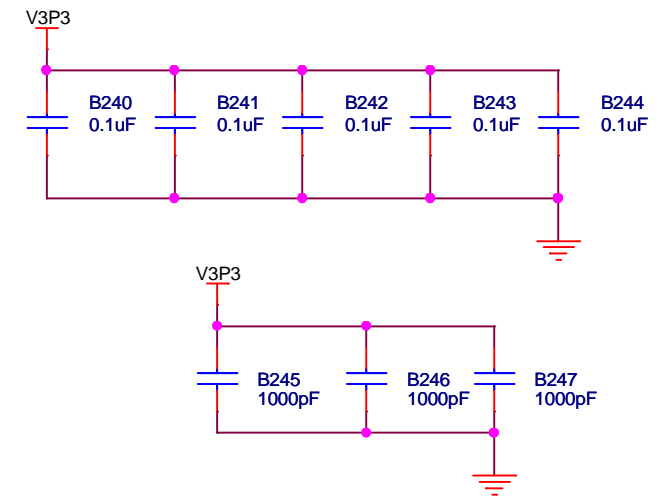
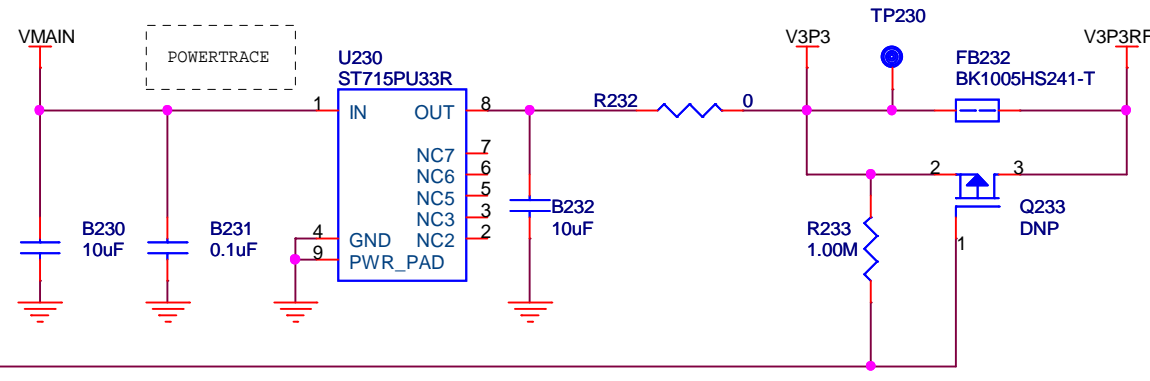
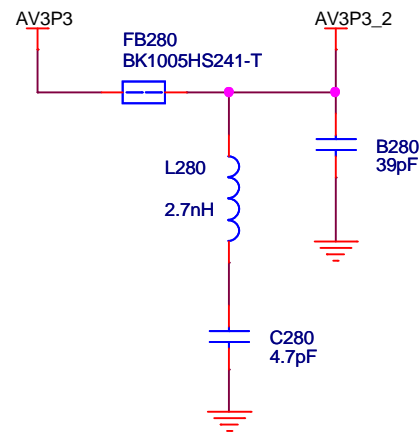


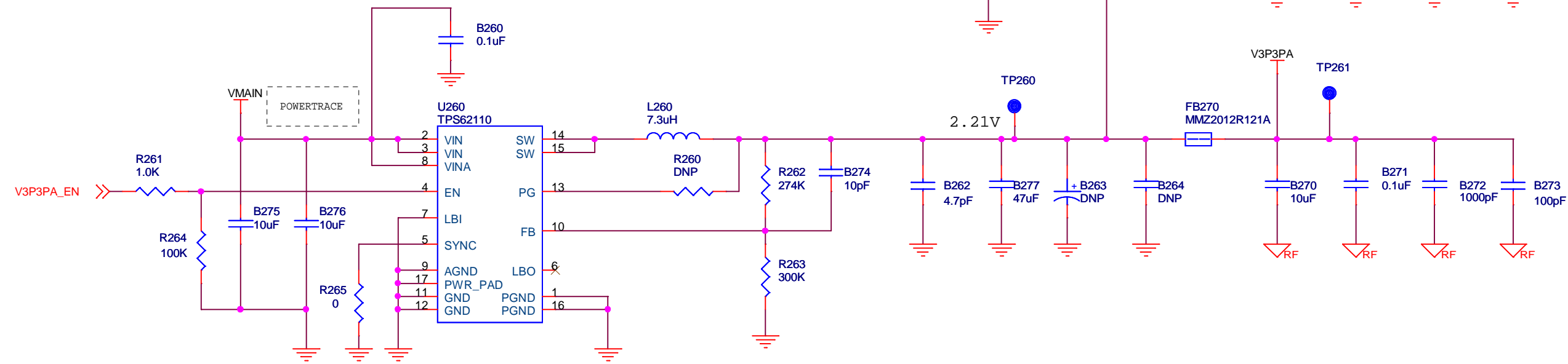
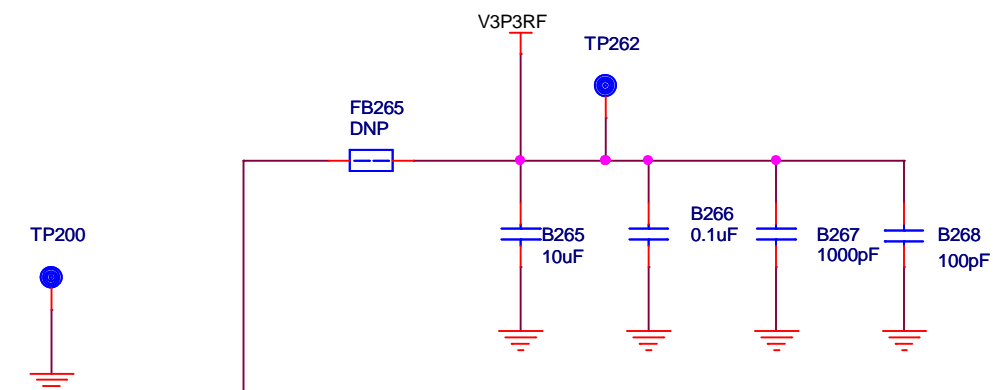
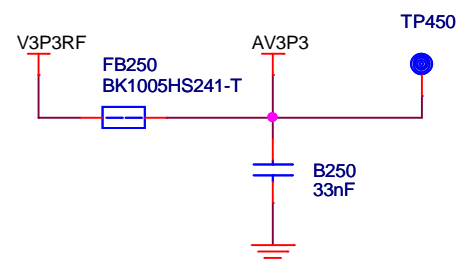
Wireless-485


Revisions		
Rev	Date	Description
X1	October 29, 2014	Initial Released Design
A	January 23, 2015	1) Updated EOL Part Numbers 2) Added C801 3) Value changes as per X1 bringup 4) Connection for U700 pin 8
A1	February 26, 2015	1) Updated antenna match for both sides
A2	July 10, 2015	1) Antenna match for both sides for new plastics w/Murata inductors 2) Updated alternate parts as per Quest request (Y450, C450, Y460)
B	December 2, 2015	1) Added protection on RS485 data lines 2) Updated U470/U520 footprints
C	December 11, 2015	1) Population changes on RS485 protection and connector 2) Uprev for PCB material change
C1	February 10, 2016	1) Updated antenna match for both sides

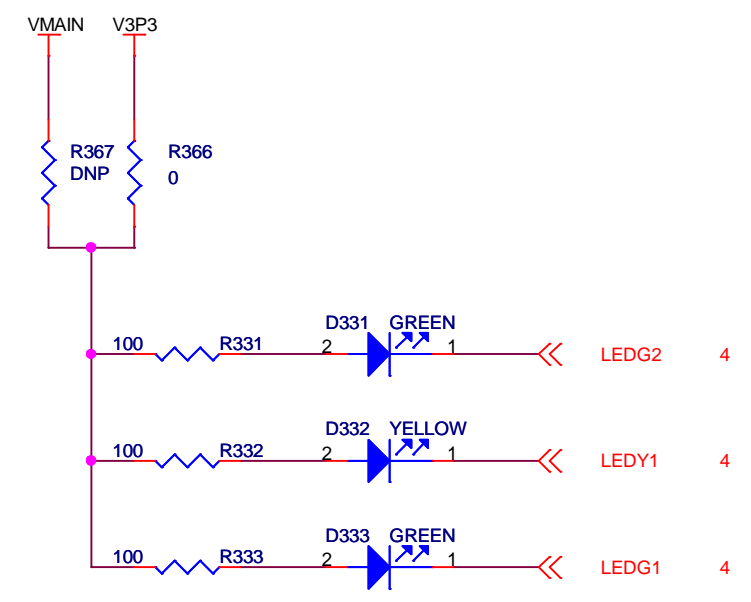
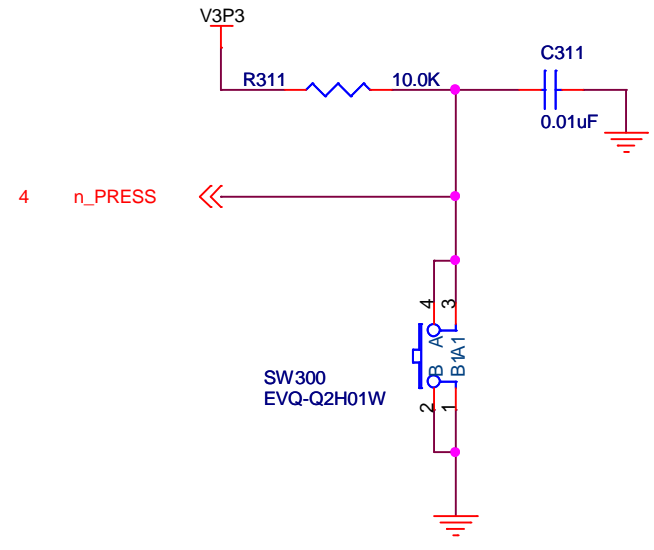
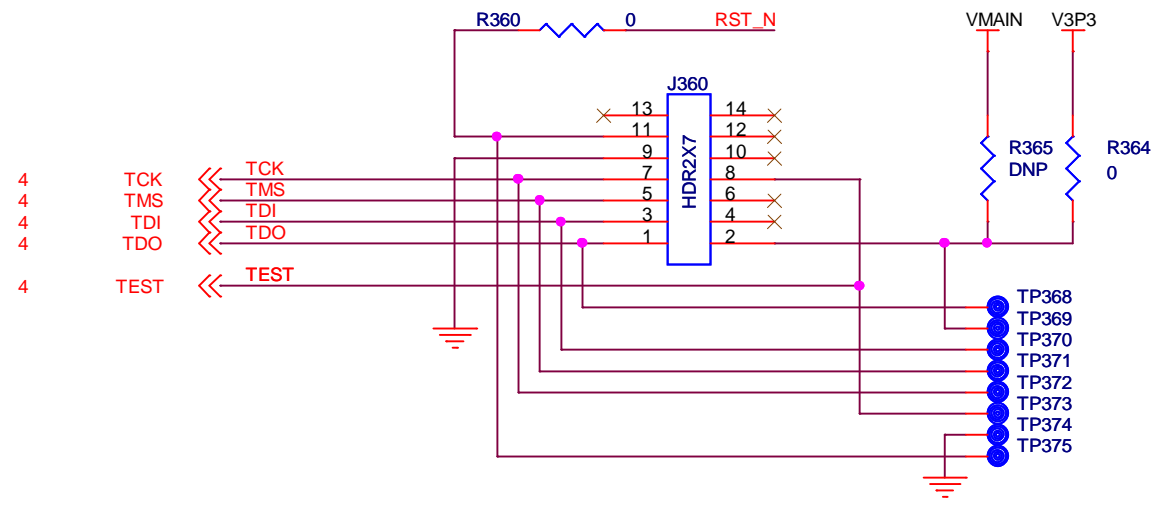
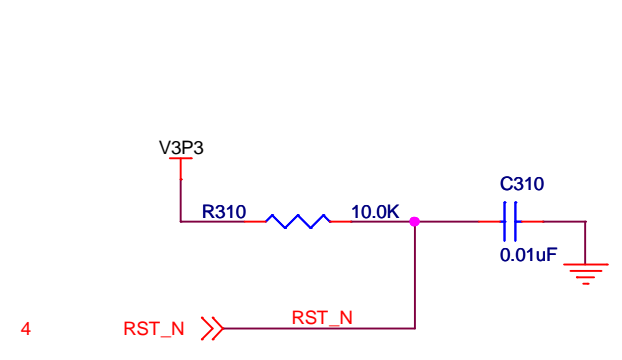
 QUEST Technical Sales and Marketing, Inc.		3594 Lang Ranch Parkway Thousand Oaks, CA 91362 www.questtechsales.com
CONFIDENTIAL & PROPRIETARY		
Design		
Wireless-485		
Title		
Cover Sheet		
Size	Document Number	Rev
B	QTS-0000	C1
Date	Wednesday, February 10, 2016	
	Sheet 1 of	8




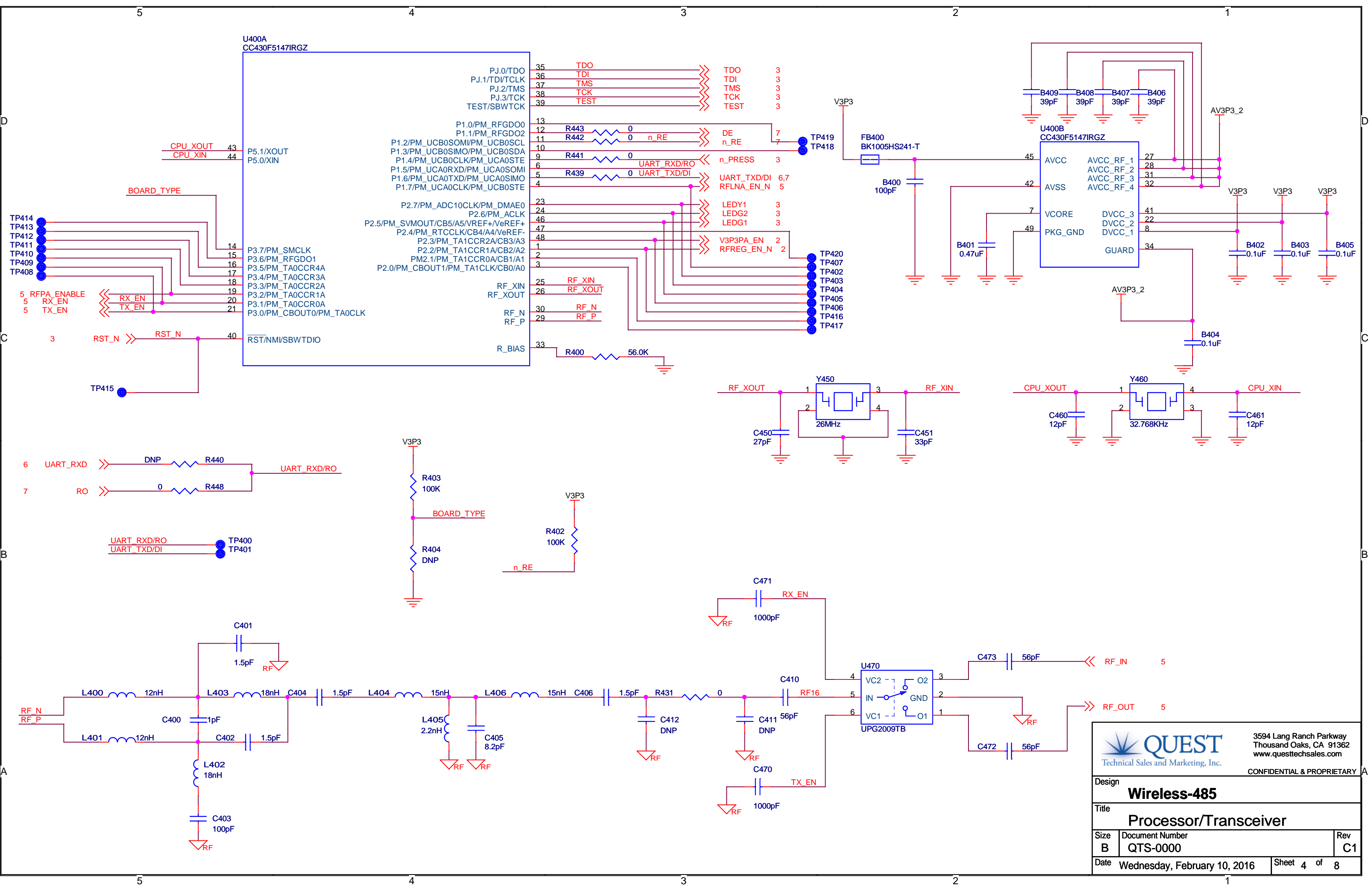
4 RFREG_EN_N >>

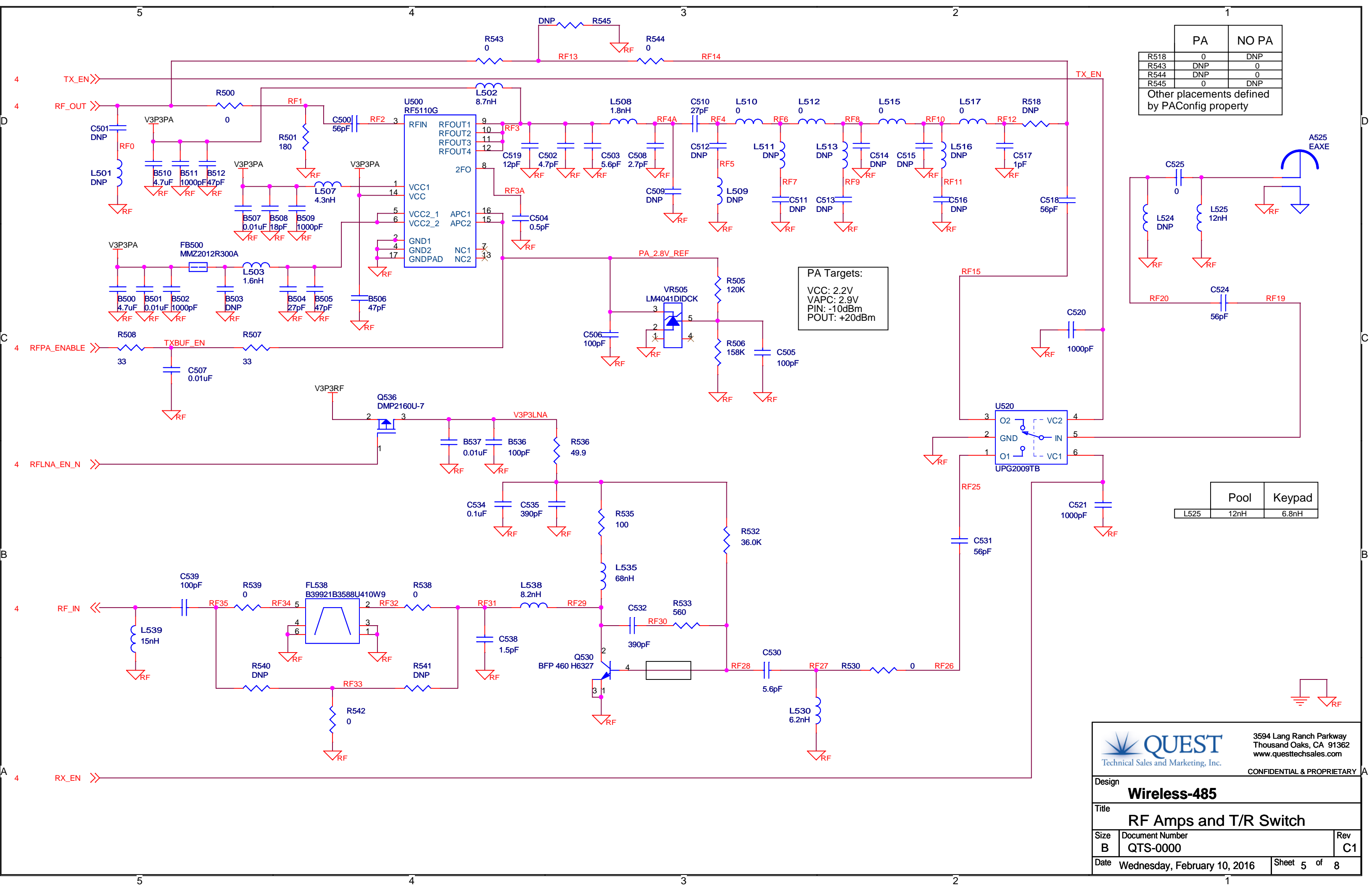


 3594 Lang Ranch Parkway Thousand Oaks, CA 91362 www.questtechsales.com		CONFIDENTIAL & PROPRIETARY	
		Design	
Wireless-485			
Title			
Power			
Size	Document Number	Rev	
B	QTS-0000	C1	
Date	Wednesday, February 10, 2016	Sheet	2 of 8



		3594 Lang Ranch Parkway Thousand Oaks, CA 91362 www.questtechsales.com	
CONFIDENTIAL & PROPRIETARY			
Design		Wireless-485	
Title		Test	
Size	Document Number	Rev	
B	QTS-0000	C1	
Date	Wednesday, February 10, 2016	Sheet 3 of	8





	PA	NO PA
R518	0	DNP
R543	DNP	0
R544	DNP	0
R545	0	DNP

Other placements defined by PAConfig property

PA Targets:
 VCC: 2.2V
 VAPC: 2.9V
 PIN: -10dBm
 POUT: +20dBm

	Pool	Keypad
L525	12nH	6.8nH

QUEST
 Technical Sales and Marketing, Inc.

3594 Lang Ranch Parkway
 Thousand Oaks, CA 91362
 www.questtechsales.com

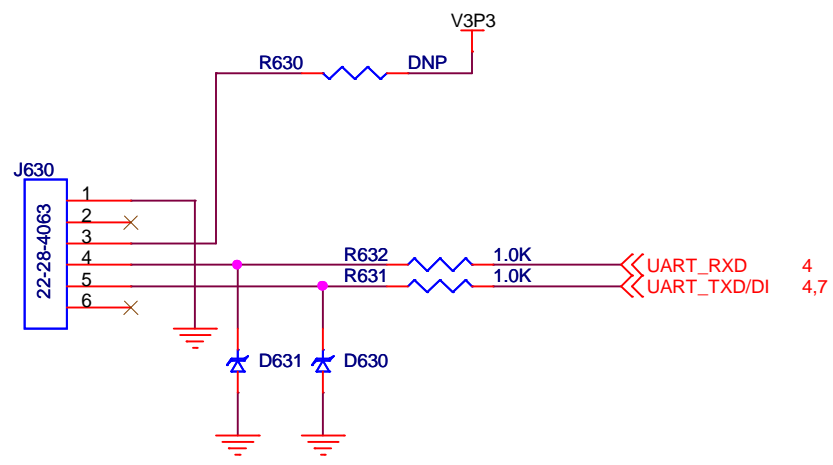
CONFIDENTIAL & PROPRIETARY

Design: **Wireless-485**


Title: **RF Amps and T/R Switch**

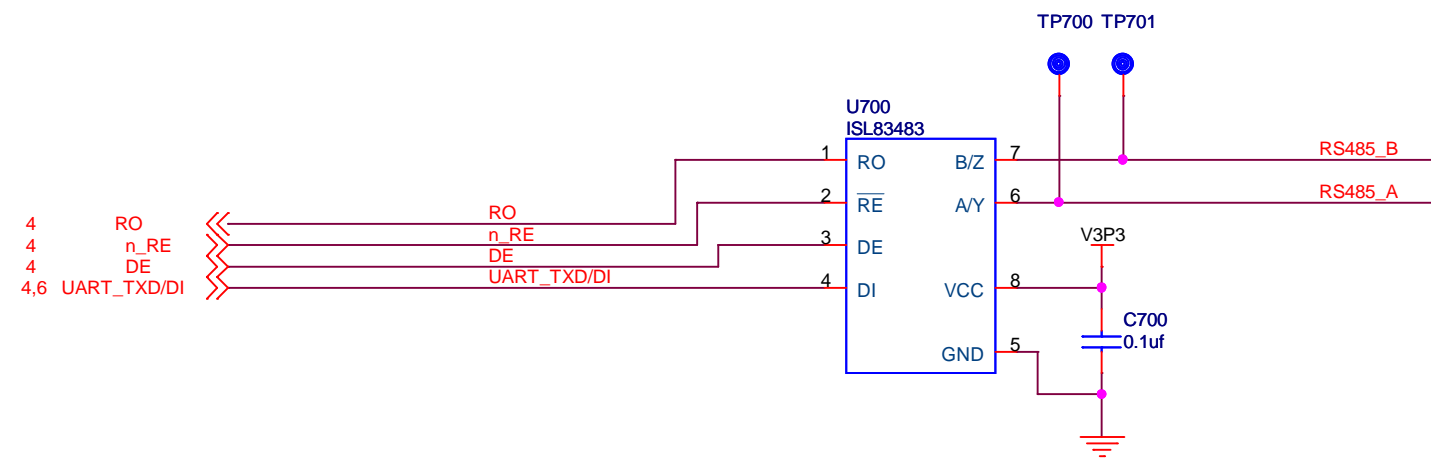
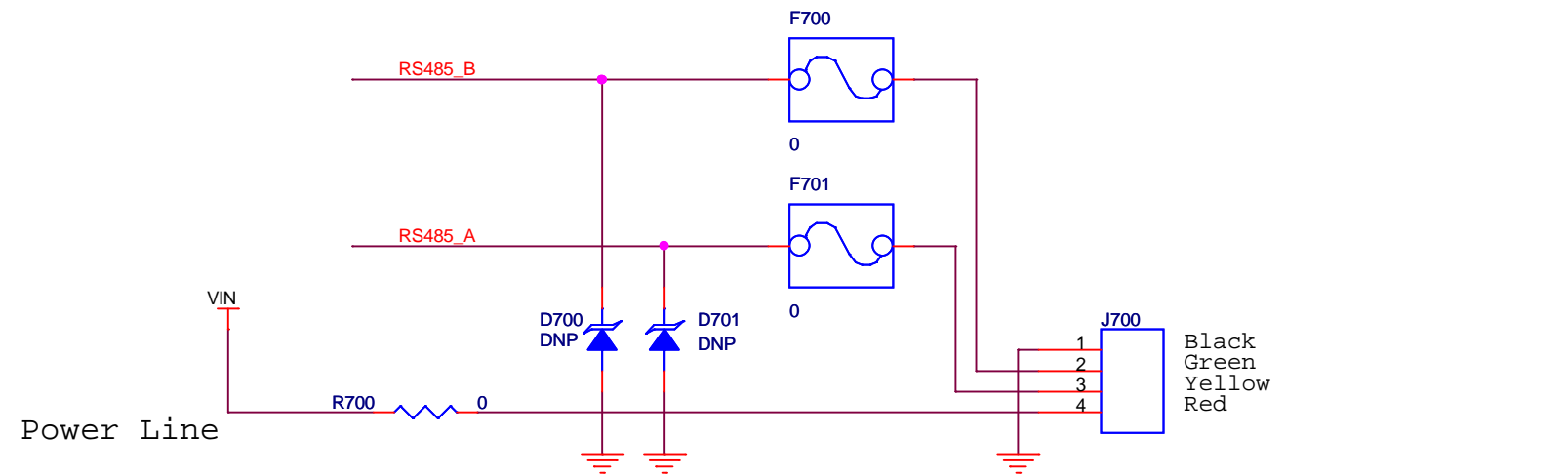
Size: B	Document Number: QTS-0000	Rev: C1
Date: Wednesday, February 10, 2016	Sheet 5 of 8	


DEBUG HEADERS

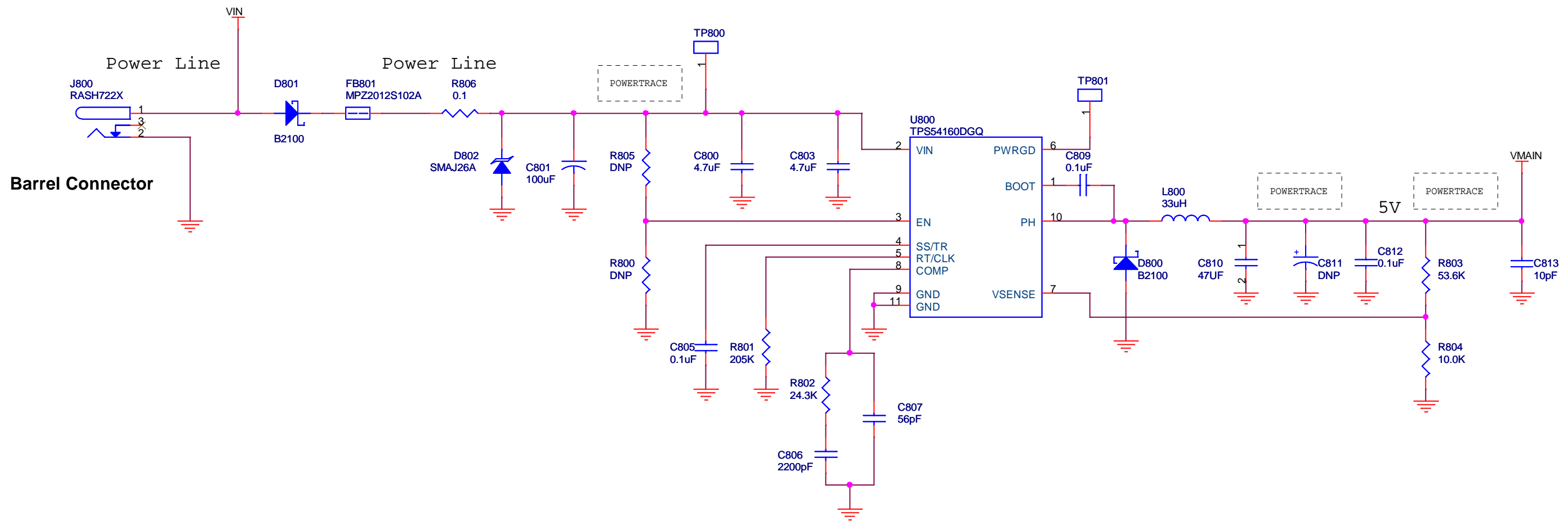



Place ESD Device next to connector

 QUEST Technical Sales and Marketing, Inc.		3594 Lang Ranch Parkway Thousand Oaks, CA 91362 www.questtechsales.com	
CONFIDENTIAL & PROPRIETARY			
Design		Wireless-485	
Title		Interfaces	
Size	Document Number	Rev	
B	QTS-0000	C1	
Date	Wednesday, February 10, 2016	Sheet 6 of 8	8



 QUEST Technical Sales and Marketing, Inc.		3594 Lang Ranch Parkway Thousand Oaks, CA 91362 www.questtechsales.com	
CONFIDENTIAL & PROPRIETARY			
Design		Wireless-485	
Title		RS-485	
Size	Document Number	Rev	
B	QTS-0000	C1	
Date	Wednesday, February 10, 2016	Sheet 7 of 8	8



 QUEST Technical Sales and Marketing, Inc.		3594 Lang Ranch Parkway Thousand Oaks, CA 91362 www.questtechsales.com
CONFIDENTIAL & PROPRIETARY		
Design		
Wireless-485		
Title		
Power Input/Buck		
Size	Document Number	Rev
B	QTS-0000	C1
Date	Wednesday, February 10, 2016	
	Sheet 8	of 8