

# LEOTEC®

A WORLD OF LISTENING

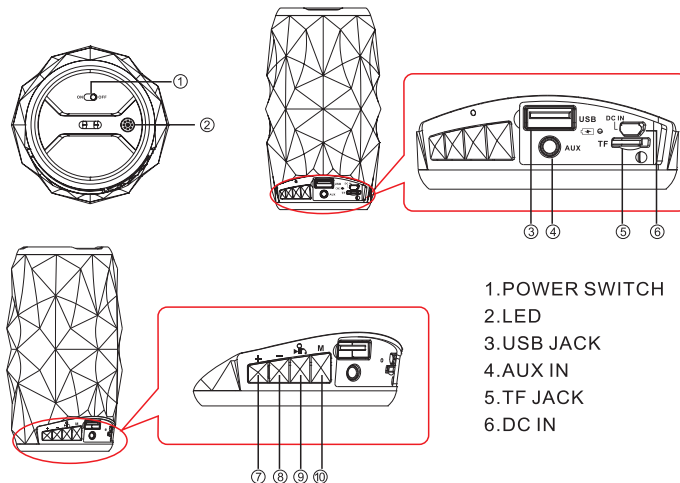
## Bluetooth Speaker

Built-in Microphone for handsfree,  
3.5mm Aux input and Micro TF Slot.



MODEL:LT-B1649BUF

Please read this instruction manual carefully and keep this manual handy for further reference



- 1. POWER SWITCH
- 2. LED
- 3. USB JACK
- 4. AUX IN
- 5. TF JACK
- 6. DC IN
- 7. VOL+/NEXT
- 8. VOL-/PREV
- 9. HANDS-FREE/PLAY/PAUSE
- 10. MODE

### OPERATION FOR USB/TF CARD

Turn on the power switch .  
Insert USB or TF card to the slot for playing .  
Short press "+" / "-" for previous/ next playing, "▶▶" is the Play/ Pause button .  
Long press "+" / "-" for volume control .  
Press the MODE to switch function for Bluetooth/ USB/ TF/ Aux .

### OPERATION FOR BLUETOOTH

Turn on the product and select Bluetooth function .  
Search the Bluetooth device and tone speak out after paired  
Can play audio files through the bluetooth speaker after paired  
Short press "+" / "-" for previous/ next playing, "▶▶" is the play/ Pause button .  
Long press "+" / "-" for volume control .  
When product is connected with phone calls base on Bluetooth status, pls press "▶▶" for calls accepting or hang up .  
Long press "▶▶" for Bluetooth disconnection .

### AUX ( LINE IN)

Connect external device to Aux jack for playing  
Long press "+" / "-" for volume control .  
Please disconnect any connected device (Bluetooth/ USB/ TF card) while you are using Aux function .

### LED SHINNING LIGHTS

Turn on the product, it goes into lighting mode automatically  
1. Lighting will fade-in the next color .  
2. Fast lighting mode  
3. Single color lighting  
4. Flashing with music rhythm  
5. Repeat Color  
6. OFF

### WARNING

- Thanks for using this digital product of our company .
- In order to let you experience the product smoothly ,detailed instruction is provided which you can find the product's introduction ,usage and other information .Before using this product , pls read the manual carefully.

### CAUTIONS

- In order to avoid any damage to product ,pls do not use the external power above than DC 5V for our product .
- It can damage hearing under maximum volume for long time .
- Keep away from strong magnetic places and electromagnetic interference .
- Do not keep it under the high humidity and temperature environment for long time .
- Keep it in a cool and dry place, avoid direct sunlight , oil,chemicals .

### SIMPLE TROUBLESHOOTING

- Pls turn off the product when you can not use it .
- Pls adjust the volume lower when product appears screech .
- Pls charge the battery when product appears noise ; Or it may caused by external signals , pls kindly stop playing .
- Pls check whether product is in playing condition if no any voice .

### SPECIFICATION

DC : 5V  
Output Impedance : 4 Ohms  
Output Power : 7W  
USB/SD/MMC playing format : MP3 WMA WAV  
Weight:  
Instruction Manual : 1pc  
USB cord : 1pc  
Rechargeable Battery : Li Battery (3.7V/1650MAh)

NOTE: This equipment has been tested and found to comply with the limits for a Class B digital device, pursuant to part 15 of the FCC Rules. These limits are designed to provide reasonable protection against harmful interference in a residential installation. This equipment generates uses and can radiate radio frequency energy and, if not installed and used in accordance with the instructions, may cause harmful interference to radio communications. However, there is no guarantee that interference will not occur in a particular installation. If this equipment does cause harmful interference to radio or television reception, which can be determined by turning the equipment off and on, the user is encouraged to try to correct the interference by one or more of the following measures:

- Reorient or relocate the receiving antenna.
- Increase the separation between the equipment and receiver.
- Connect the equipment into an outlet on a circuit different from that to which the receiver is connected.
- Consult the dealer or an experienced radio/TV technician for help

Changes or modifications not expressly approved by the party responsible for compliance could void the user's authority to operate the equipment.  
This device complies with Part 15 of the FCC Rules. Operation is subject to the following two conditions:  
(1) this device may not cause harmful interference, and  
(2) this device must accept any interference received, including interference that may cause undesired operation.