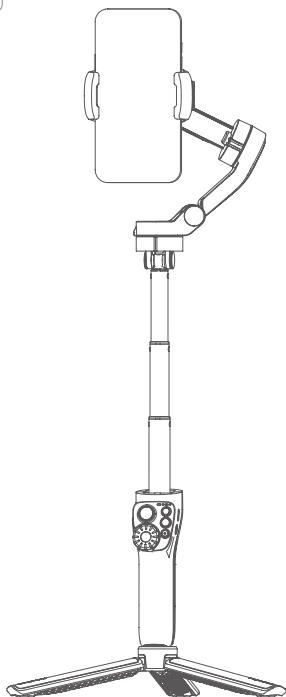




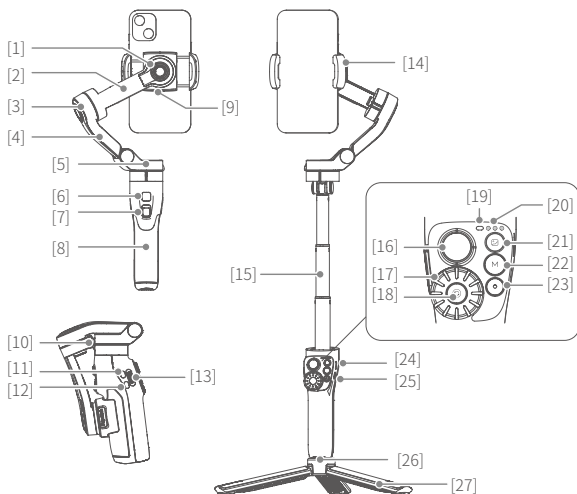
# VIMBLE 3

3-Axis Handheld Gimbal for Smartphone

Quick start guide (EN V1.0)



# 1. Overview

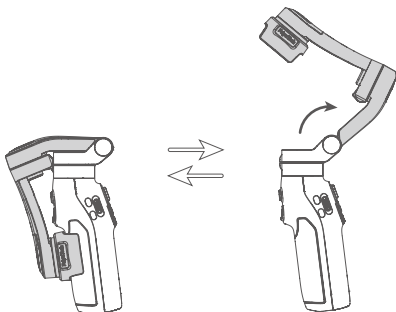


- |                                                      |                                                   |                           |
|------------------------------------------------------|---------------------------------------------------|---------------------------|
| [1] Roll axis                                        | [10] Limitation                                   | [20] Battery indicator    |
| [2] Cross arm                                        | [11] Mark A button                                | [21] Album button         |
| [3] Tilt axis                                        | [12] Mark B button                                | [22] Mode button          |
| [4] Vertical arm                                     | [13] Zoom button                                  | [23] Shutter button       |
| [5] Pan axis                                         | [14] Smartphone holder                            | [24] USB C port           |
| [6] Upper trigger button<br>(custom function in APP) | [15] Extendable bar<br>(Extendable range 0~180mm) | [25] Power button         |
| [7] Lower trigger button                             | [16] Joystick                                     | [26] 1/4 inch thread hole |
| [8] Handle<br>(Built-in battery)                     | [17] Dial                                         | [27] Tripod               |
| [9] Type-C port for<br>accessories                   | [18] Dial function switching<br>button            |                           |
|                                                      | [19] Status indicator                             |                           |

\* The gimbal dose NOT include smartphone.

## 2. Quick Experience

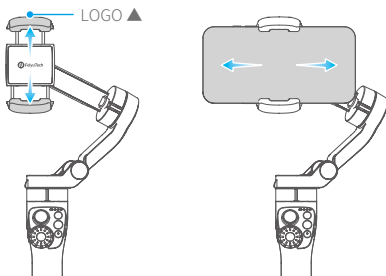
### Step1: Unfold and fold



### Step2: Smartphone Installation

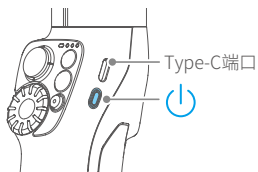
It is recommended to remove the smartphone case before installation. Keep the logo of the smartphone holder upward. Keep the smartphone holder in center.

If the smartphone tilted, please move the smartphone left or right to make it horizontal.



### Step3: Power ON/OFF

Long time press the power button and release it when you hear the tone.



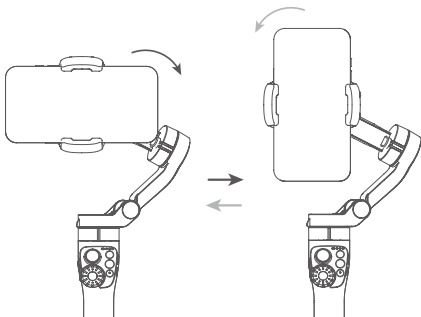
### 3. Charging

Please fully charge the battery before power on the gimbal for the first time. Connect the USB 2.0 to USB-C cable to charge. The indicator light is red while charging, and turn green after charging complete.

### 4. Landscape & Portrait Mode Switching

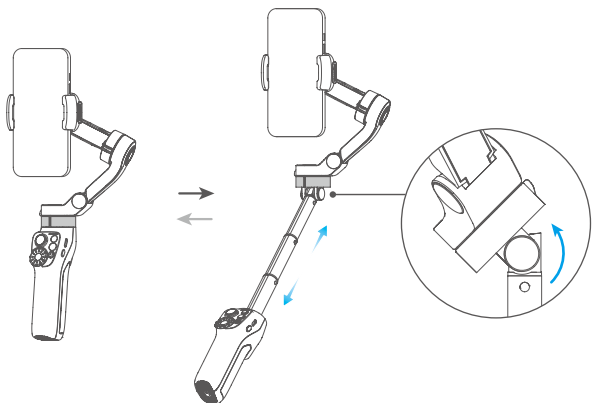
Double click the function button or manually rotate the smartphone holder (according to the picture below) to switch between landscape and portrait mode.

Do not make anti-clockwise rotation in landscape mode, Do not make clockwise rotation in portrait mode.



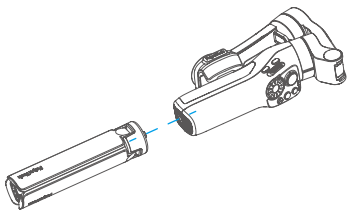
### 5. Extend and Reset the Handle

- (1) Hold the handle with one hand, hold the bottom of pan axis with other hand.
- (2) Extending: Pull the extendable bar out to suitable length (Extendable range 0~180mm).  
Reset: Push upper grip to make the extendable bar down to handle part.



## 6. Tripod

The tripod is connected to the bottom of the main unit in a rotating manner. According to the needs of shooting and storage, choose whether to install it.



## 7. Connection

### 7.1 Bluetooth Connection

Turn on the gimbal.

Method one: Download and install Feiyu ON App, run the App, follow the prompts to turn on and connect with the bluetooth.

Method two: Turn on the smartphone bluetooth, connect the gimbal bluetooth in the setting of phone, e.g. FY\_Vimble\_xx.

(If the bluetooth can't be found, please turn off Feiyu ON App in the background.)

## 7.2 App Connection

### Download the Feiyu ON App

Scan the QR code to download the app, or search for "Feiyu ON" in the App Store or Google Play.

\* Requires iOS 9.0 or above, Android 6.0 or above.

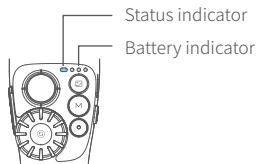


iOS



Android

## 8. Indicator



### 8.1 Status indicator

Status indicator	Status
Constant Blue light	Bluetooth connected
Blue light flash	Bluetooth disconnected
Blue light keeps flashing	Unpairing Bluetooth
Green light stays on	Charging completed
Green light flash	Initializing
Breathing light (green)	Standby mode
Red light stays on	Charging
Red light flash	Low power

## 8.2 Battery indicator

Battery indicator	Battery
	High level of battery
	Medium level of battery
	Low power
	Low power, will auto power off

## 9. Specifications

Product name: Feiyu Vimble 3 3-Axis Handheld Gimbal for Smartphone

Product model: VB3

Max. Tilt Range:  $-35^{\circ} \sim +35^{\circ}$

Max. Roll Range:  $-50^{\circ} \sim +50^{\circ}$

Max. Pan Range:  $-80^{\circ} \sim +174^{\circ}$

Size:  $114.4 \times 175.6 \times 64.6$ mm (folded state)

Net gimbal Weight: About 387g (not including tripod)

Battery: DC 7.4V / 1300mAh

Charging time: About 2.5h

Theoretical Battery Life: About 9h (for different smartphone you installed, it's slightly different)

Payload Capability:  $\leq 260$ g (after balanced)

Adapter smartphones: iPhone and Android phones (the width of the phone is between 35~88mm)

### List

Vimble 3 $\times$ 1, Tripod $\times$ 1, Storage bag $\times$ 1, Manual $\times$ 1

Frequency range: Bluetooth (2402-2480MHz)

### **Disclaimer:**

Thanks for using FeiyuTech product. The information in this document affects your safety and your legal rights and responsibilities. Read the entire document carefully to ensure proper configuration before use, Failure to read and follow instructions and warnings in this document may result in serious injury to yourself or others, or damage to your products or damage to other objects in the vicinity.

By using this product, you hereby signify that you have read this disclaimer and warning carefully and that you understand and agree to abide by the terms and conditions herein. You agree that you are solely responsible for your own conduct while using this product, and for any consequences thereof. You agree to use this product only for purposes that are proper and in accordance with all applicable laws, rules, and regulations, and all terms, precautions, practices, policies and guideline FeiyuTech has made and may make available. FeiyuTech accepts no liability for damage, injury or any legal responsibility incurred directly or indirectly from the use of product. FeiyuTech will not provide any service for any product obtained from abnormal channels.

### **Notice:**

1. Make sure motor spinning is not blocked by external force when the product is power on.
2. The product DO NOT contact water or other liquid if the product is not mark waterproof or splash-proof. Waterproof and splash-proof product DO NOT contact sea water or other corrosive liquid.
3. DO NOT disassembly the product except marked detachable. It need send to FeiyuTech after-sales or authorized service center to fix it if you accidently disassembly and cause abnormal work. The relevant costs are borne by user.
4. Prolonged continuous operation may cause the product surface temperature to rise, please operate carefully.
5. DO NOT drop or strike the product. If the product is abnormal, contact FeiyuTech after-sales support.

### **Storage and Maintenance:**

1. Keep the product out of the reach of children and pets.
2. DO NOT leave the product near heat sources such as a furnace or heater. DO NOT leave the product inside of a vehicle on hot days.
3. Please storage the product in dry environment.
4. DO NOT overcharge or overuse the battery, otherwise it will cause damage to the battery core.
5. Never use the product when the temperature is too high or too low.



## ■ Official Social Media



Website



Facebook



Youtube



Twitter



Instagram

This document is subject to change without notice.

---

Manufactured by: Guilin Feiyu Technology Incorporated Company

---

Website: [www.feiyu-tech.com](http://www.feiyu-tech.com) | Tel: +86 773-2320865 | E-mail: [support@feiyu-tech.com](mailto:support@feiyu-tech.com)

---

# FCC regulatory conformance

## FCC ID: 2AHW7-VB3

This device complies with Part 15 of the FCC Rules. Operation is subject to the following two conditions:

- (1) This device may not cause harmful interference.
- (2) This device must accept any interference received, including interference that may cause undesired operation.

**NOTE:** This equipment has been tested and found to comply with the limits for a Class B digital device, pursuant to part 15 of the FCC Rules. These limits are designed to provide reasonable protection against harmful interference in a residential installation. This equipment generates uses and can radiate radio frequency energy and, if not installed and used in accordance with the instructions, may cause harmful interference to radio communications. However, there is no guarantee that interference will not occur in a particular installation. If this equipment does cause harmful interference to radio or television reception, which can be determined by turning the equipment off and on, the user is encouraged to try to correct the interference by one or more of the following measures:

- Reorient or relocate the receiving antenna.
- Increase the separation between the equipment and receiver.
- Connect the equipment into an outlet on a circuit different from that to which the receiver is connected.
- Consult the dealer or an experienced radio/TV technician for help

**NOTE:** The manufacturer is not responsible for any radio or TV interference caused by unauthorized modifications to this equipment. Such modifications could void the user's authority to operate the equipment.

### **RF Exposure**

This equipment complies with FCC radiation exposure limits set forth for an uncontrolled environment.