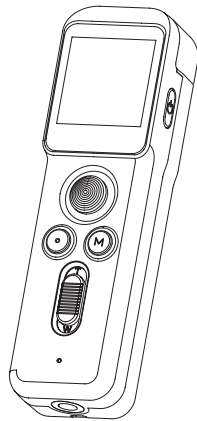


# Remote Handle for Feiyu Pocket 3

Quick Start Guide  
快速入门

V 1.0



Guilin Feiyu Technology Incorporated  
Company  
桂林飞宇科技股份有限公司  
www.feiyu-tech.com  
support@feiyu-tech.com  
+86 773-2320865

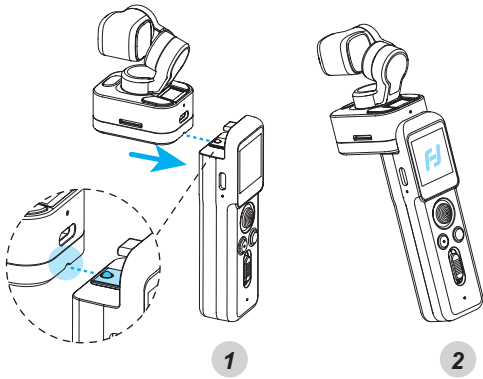
### NCC警告

取得審驗證明之低功率射頻器材，非經核准，公司、商號或使用者均不得擅自變更頻率、加大功率或變更原設計之特性及功能。低功率射頻器材之使用不得影響飛航安全及干擾合法通信；經發現有干擾現象時，應立即停用，並改善至無干擾時方得繼續使用。前述合法通信，指依電信管理法規定作業之無線電通信。低功率射頻器材須忍受合法通信或工業、科學及醫療用電波輻射性電機設備之干擾。

## 2.2 Connection

### 2.2.1 USB-C connection

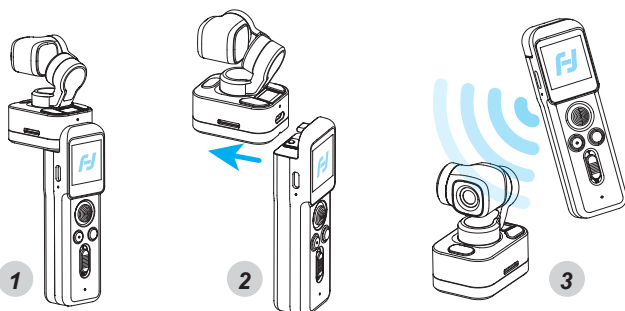
Put the dovetail slot which at the bottom of Feiyu Pocket 3 stabilized camera aim to the convex slot of remote handle, and slide in along the slot to connect the USB-C port. Then users can control the camera through the remote handle after power on.



### 2.2.2 Bluetooth connection

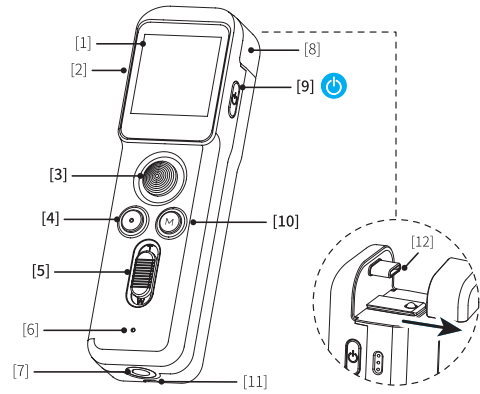
Before using for the first time, please pair the remote handle with camera. Connect the remote handle with camera through USB-C port, and they will be paired automatically, after power on.

After they are paired successfully, detach the remote handle and the stabilized camera, then the remote handle can control the camera wirelessly.



## Quick Start Guide

### 1. Overview



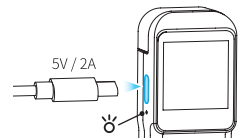
- [1] Touch screen
- [2] USB-C charging port
- [3] Joystick
- [4] Shutter button
- [5] Zoom button
- [6] Microphone
- [7] 1/4 inch thread Hole
- [8] USB-C port cover
- [9] Power button
- [10] Gimbal mode button
- [11] Wrist strap Hole
- [12] Gimbal connecting plug

### 2. Start to Use

#### 2.1 Charging

Connect USB-C cable with charging port to charge remote handle. We recommend that you charge your handle at least once a month.

Charging Status	While Working (Screen status)	While OFF (Indicator status)
Charging	Display	Red light is on
Complete	Disappear	Green light is on



#### 2.3 Button Operations

##### Power Button

Long press for 1s: Power ON/ OFF

Single tap:

- (1) Switch among video/ Photo mode/ Recently used function
- (2) Return to the previous menu

##### Joystick

Push: Control the movement of the tilt and pan axes

##### Gimbal mode button

- Single tap: Follow mode/All follow mode/Pan mode (Switch in turn)
- Double tap: Recenter
- Triple tap: Enter/exit selfie mode
- Press and hold: Enter lock mode

##### Shutter Button

Single tap: Start/stop recording/ Take photo/ Return to the home page

##### Zoom button

- Slide up (T): zoom in
- Slide down (W): zoom out



### Specifications

Product name: Remote Handle for Feiyu Pocket 3  
Product model: FeiyuVCAM3SRH  
Battery Capacity: 750mAh  
Charging Time: 1.2h  
Weight: 73g  
Product Size: 105.3\*30.8\*23.1mm

**List:** Remote Handle x 1, USB-C Cable x 1, Portable bag x 1, Wrist strap x 1, Manual x 1

## **FCC regulatory conformance:**

This device complies with Part 15 of the FCC Rules. Operation is subject to the following two conditions:

- (1) This device may not cause harmful interference
- (2) This device must accept any interference received, including interference that may cause undesired operation.

### **NOTE**

This equipment has been tested and found to comply with the limits for a Class B digital device, pursuant to part 15 of the FCC Rules. These limits are designed to provide reasonable protection against harmful interference in a residential installation.

This equipment generates and can radiate radio frequency energy and, if not installed and used in accordance with the instructions, may cause harmful interference to radio communications. However, there is no guarantee that interference will not occur in a particular installation. If this equipment does cause harmful interference to radio or television reception, which can be determined by turning the equipment off and on, the user is encouraged to try to correct the interference by one or more of the following measures:

- Reorient or relocate the receiving antenna
- Increase the separation between the equipment and receiver
- Connect the equipment into an outlet on a circuit different from that to which the receiver is connected.
- Consult the dealer or an experienced radio/TV technician for help.

### **NOTE**

The manufacturer is not responsible for any radio or TV interference caused by unauthorized modifications to this equipment. Such modifications could void the user's authority to operate the equipment.

### **RF Exposure**

The SAR limit of USA (FCC) is 4.0 W/Kg averaged over ten grams of tissue. Device has also been tested against this SAR limit, the testing distance of limbs is 0mm.