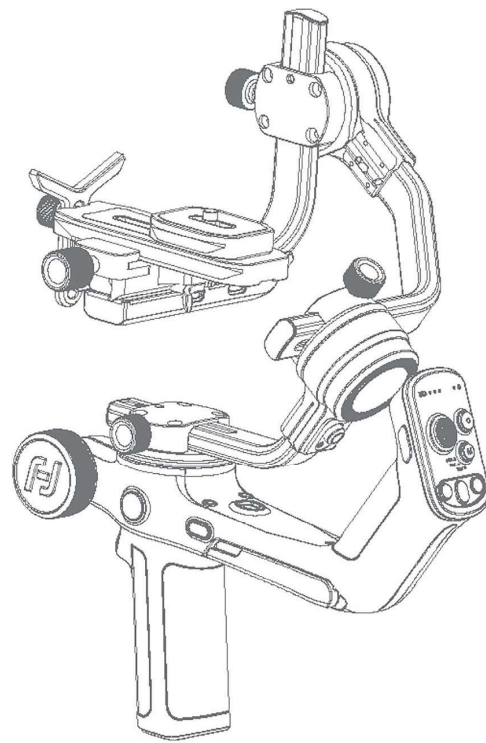




# SCORP-C

Quick Start Guide



**EN** Quick Start Guide ..... 3/

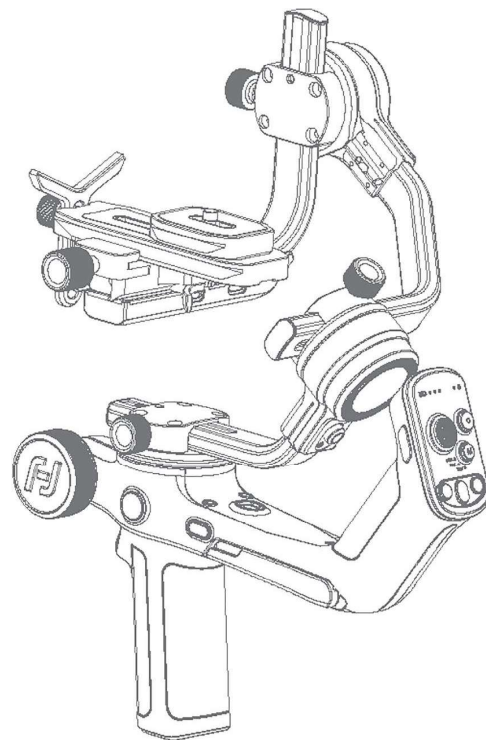


# SCORP-C

Quick Start Guide V1.0

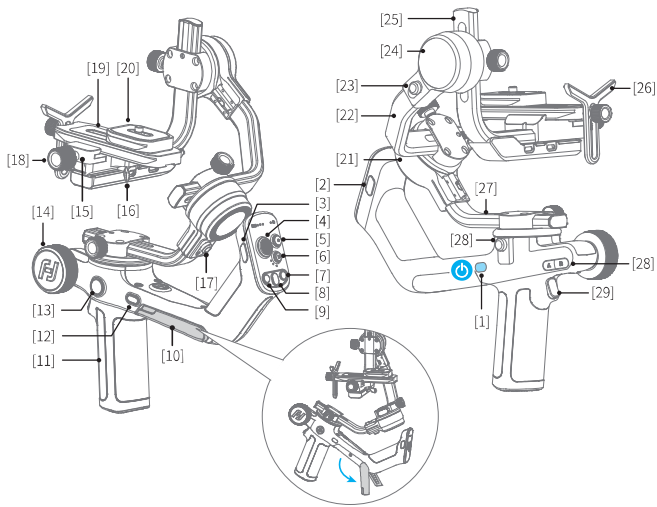
EN CN

Tutorial Videos



## 1. Overview

\* Not include camera.



- |                                     |                                      |
|-------------------------------------|--------------------------------------|
| [1] Power button                    | [16] Slider lock                     |
| [2] Motor power auto tune button    | [17] Roll lock                       |
| [3] Portrait button                 | [18] Quick release plate safety lock |
| [4] Joystick                        | [19] Quick release plate             |
| [5] Shutter button                  | [20] Arca quick release plate        |
| [6] Mode button                     | [21] Roll axis                       |
| [7] R button                        | [22] Cross arm                       |
| [8] Auto rotation button            | [23] Tilt axis                       |
| [9] L button                        | [24] Tilt axis                       |
| [10] Kickstand                      | [25] Slide arm                       |
| [11] Handle                         | [26] Lens holder                     |
| [12] FPV button                     | [27] Cross arm                       |
| [13] Knob function switching button | [28] A/B button                      |
| [14] Multifunction knob             | [29] Trigger button                  |
| [15] Fixed plate slider             |                                      |

EN

## User manual

Scan the QR code to get the latest user manual or download it from the official website.

<https://www.feiyu-tech.com/feiyu-scorp-c/>



User manual

## Download the App

Scan the QR code to download the app, or search for "Feiyu SCORP" in the App Store or Google Play.

\* Requires iOS 9.0 or above, Android 6.0 or above.



iOS

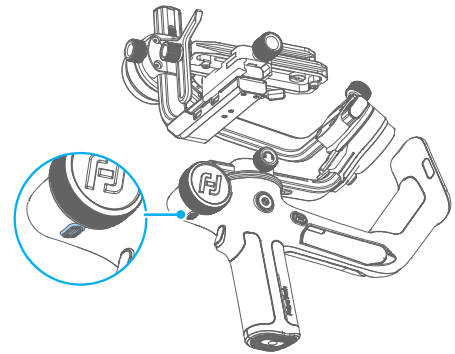


Android

## 2. Getting started

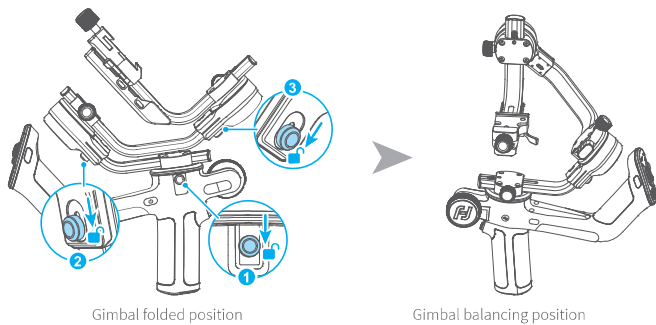
### 2.1 Charging

Please fully charge the battery before power on the gimbal for the first time. Charging with USB 2.0 to Type-C cable, supports quick charge.



## 2.2 Adjust the gimbal position to gimbal balancing position

The gimbal is folded by default, please unlock all the three axes and adjust the gimbal position to gimbal balancing position, and then lock the three axes.



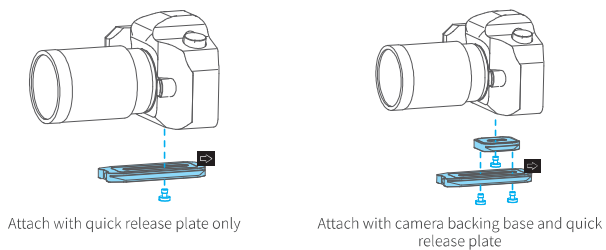
## 3. Mounting the Camera

Before mounting the camera, make sure the camera is ready for shooting (Install the camera lens, and the lens cover should be removed, the memory card and battery needs to be inserted to the camera, and battery is fully charged), complete all the steps which mentioned in chapter "2. Getting started" and the gimbal is adjusted to **gimbal balancing position**. Make sure the gimbal is powered off or in sleep mode before mounting the camera.

### 3.1 Attach the quick release plate and camera backing base(Optional)

Attach the quick release plate to camera by tightening the screw.

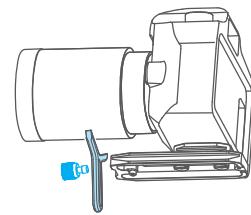
User can choose to attach the camera backing base according to need ( For example, when using a long or heavy lens). Attach the camera backing base to camera, then attach it to quick release plate by tightening 2 screws.



EN

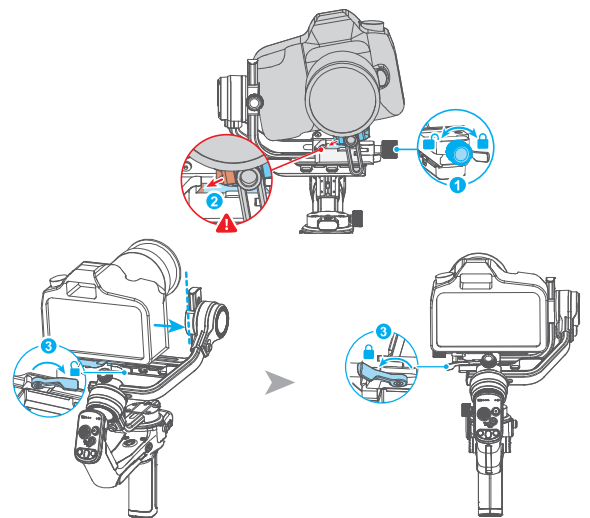
### 3.2 Install lens holder (Optional)

Install the lens holder on the quick release plate as needed, the rubber of the lens holder must be directly under the lens. It is recommended to use the lens holder when using a long or heavy lens.



### 3.3 Mount camera on gimbal

Unlock the quick release plate safety lock ①, install the plate with the mounted camera into the slot ② in direction of icon, lock the safety lock ① once the camera is roughly balanced. It is recommended to push the camera against the tilt axis. Unlock the slider lock ③ to move the camera left or right according camera's width, then lock the slider lock ③.



## 4. Gimbal Balancing

Please balance the gimbal before shooting. Make sure the camera and lens are ready for shooting, and the gimbal is powered off or in sleep mode before balancing. **It is recommended to hold up the camera first, then move the slide arm, cross arm and vertical arm.**

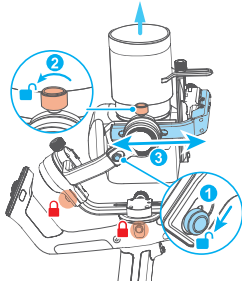


Tutorial Videos

### 4.1 Balancing the tilt axis

#### 4.1.1 Balancing the vertical tilt

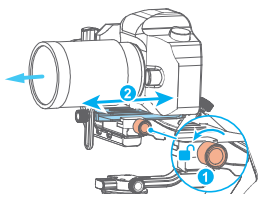
- Unlock the tilt lock ①, and loosen the slide arm lock knob ②.
- Rotate the tilt axis so that the camera lens is pointing upward. Check the direction which the lens tilt to.
- If the lens is tilt to one side, then the camera is that side heavy, move the slide arm ③ to the opposite direction, until the camera is steady pointing upward.
- Tighten the slide arm lock knob ② while holding the camera.



#### 4.1.2 Adjust depth for the tilt axis

- Rotate the tilt axis so that the camera lens is pointing forward. Check the direction which the lens tilt to.
- If the lens is tilt to one side, then the camera is that side heavy, unlock the quick release plate safety lock ① and the move the quick release plate to the opposite direction, until the camera is steady pointing forward.
- Lock the quick release plate safety lock ① while holding the camera.

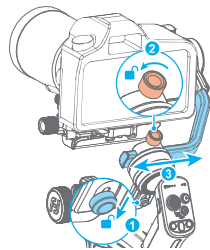
The tilt axis is balanced when the camera is steady while tilted up or down by 45°.



### 4.2 Balancing the roll axis

- Unlock the roll lock ①, check the direction which the camera tilt to.
- If the camera is tilt to one side, then the camera is that side heavy, loosen the cross arm lock knob ② and the move the cross arm to the opposite direction, until the camera can stay still and horizontal to the ground.
- Tighten the cross arm lock knob ②.

The roll axis is balanced when the camera can stay still and horizontal to the ground.

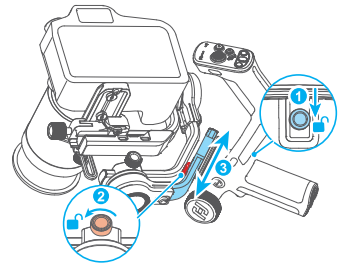


EN

### 4.3 Balancing the pan axis

- Unlock the pan lock ①. Hold the tripod, and tilt the gimbal forward until it horizontal to the ground.
- If the camera is tilt to one side, then the camera is that side heavy, loosen the vertical arm lock knob ② and the move the vertical arm ③ to the opposite direction, until the camera can stay still and horizontal to the ground.
- Tighten the vertical arm lock knob ②.

The pan axis is balanced when the camera can stay still and horizontal to the ground.



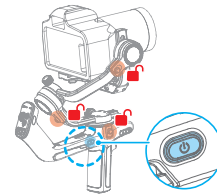
## 5. Operation

### 5.1 Power ON/ OFF

Before power on the gimbal, make sure you have balanced gimbal, and unlocked all the three axes. If you haven't unlocked all the 3 axes, gimbal will enter sleep mode to protect itself. Please single tap power button to wake up gimbal after unlocked all the 3 axes.

**! Please set motor power first after power on gimbal for the first time or after change a new camera/lens.**

Long press the power button and release it when you hear the beep sound to power on/ off.



### 5.2 Follow mode introduction

**PF:** Pan follow, only the pan axis follows the movement of user's hand.

**PTF:** Pan and tilt follow, where both the pan and tilt axes follow the movement of user's hand, but roll axis does not.

**FPV:** Pan, tilt and roll follow, where all 3 axes follow the movement of user's hand.

**Lock:** All 3 axes do not follow the movement of user's hand, gimbal keeps the direction of the camera fixed.

**FFW:** Flash follow, where all 3 axes follow the movement of user's hand in high follow speed.

### 5.3 Button operation



**Power button**  
**Long press:** Power on/off  
**Single tap:** Wake up  
**Double tap:** Enter sleep mode



**Mode button**  
**Single tap:** Pan follow/Lock mode (Switch in turn)  
**Double tap:** PTF  
**Triple tap:** FPV



**Trigger button**  
**Double tap:** Recenter  
**Triple tap:** Enter/Exit selfie mode (Pan axis turn 180°)  
**Press and hold:** PTF (Release to exit)  
 You can custom the function via APP



**Joystick**  
**Push:** Control the movement of the tilt and pan axes.



**Shutter button\***  
**Press half way:** Focus  
**Single tap (Fully):** Start/Stop recording  
**Long press (Fully):** Take photo



**Auto rotation button**  
**Single tap:** Enter/Exit auto rotation mode



**L button**  
**Single tap:** Turn left one circle/ Stop rotation  
**Long press:** Turn left continuously, release to stop (Stop after completed the rest of the circle)  
 Active in auto rotation mode



**R button**  
**Single tap:** Turn right one circle/ Stop rotation  
**Long press:** Turn right continuously, release to stop (Stop after completed the rest of the circle)  
 Active in auto rotation mode



**Portrait button**  
**Double tap:** Enter/Exit portrait mode



**Motor auto tune button**  
**Long press for 5s:** Enter motor power auto tune process  
 Gimbal start auto tune motor power after the beep sound



**FPV button**  
**Single tap:** Enter/Exit FPV mode



**A/B button**  
**Long press:** Mark the current position as A/B  
**Single tap:** Return to the position A/B that you have marked  
 Can be used to mark axes/focus position.

EN



**Knob function switching button**  
**Single tap:** Switch the control object while controlling the movement of the 3 axes (Tilt/Pan/Roll)  
**Long press:** Switch the control options of Multifunction knob in turn (The movement of the 3 axes/ Electronic focus/Focus motor)

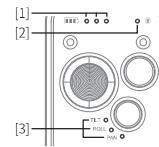


**Multifunction knob**  
**Turn:** (1) Control the movement of the roll, tilt and pan axes.  
 (2) Control focus.  
 (3) Control focus motor.  
 Set current control option as option (1) or (2) or (3) through long press the knob function switching button or swipe up in home page.

\*Need to connect with camera. Refer to the camera compatibility list on <https://www.feiyu-tech.com/feiyu-scorp-c/>  
 More button function introductions please refer to the user manual.

### 5.4 Indicator

- [1] Battery indicator
  - [2] Camera/Bluetooth indicator
  - [3] Follow indicator
- TILT = Tilt axis  
 ROLL = Roll axis  
 PAN = Pan axis



The indicator is on which means the corresponding axis follows the movement of user's hand.

#### Camera/Bluetooth indicator instruction

Camera connection	Bluetooth connection	Indicator
✓	✓	●●●● ●●●●
✓	x	●●●● ●●●●
x	✓	●●●●
x	x	●●●●

#### Follow indicator instruction

Model	Follow indicator		
	TILT	ROLL	PAN
Lock	○	○	○
PF	○	○	●
PTF	●	○	●
FPV	●	●	●
FFW	●●●	●●●	●●●
Auto rotation	●	●	●

#### Battery indicator instruction

Battery level	Battery indicator
100%	●●●●
80%	●●●●
60%	●●●○
40%	●●●○
20%	●●○○
10%	●○○○
Low power, will auto power off	●○○○

## 6. Specification

Product name	Feiyu SCORP-C 3-Axis Handheld Gimbal for Camera
Product model	Feiyu F2C
Max. Tilt Range	+120° ~ -201°
Max. Roll Range	+215° ~ 106°
Max. Pan Range	360°
Weight	About 1200g
Payload Capability	About 2500g (Well-balanced)
Battery life	13 Hours
Battery	2500mAh
Operating Voltage	6.8V-8.4V
Compatible Cameras	Sony, Canon, Nikon, Panasonic camera etc ( Please download the detailed manual for the specific compatible camera and lens )

EN

### FCC regulatory conformance

FCC ID: 2AHW7-FEYUF2C

This device complies with Part 15 of the FCC Rules. Operation is subject to the following two conditions:

- (1) This device may not cause harmful interference.
- (2) This device must accept any interference received, including interference that may cause undesired operation.

NOTE: This equipment has been tested and found to comply with the limits for a Class B digital device, pursuant to part 15 of the FCC Rules. These limits are designed to provide reasonable protection against harmful interference in a residential installation. This equipment generates uses and can radiate radio frequency energy and, if not installed and used in accordance with the instructions, may cause harmful interference to radio communications. However, there is no guarantee that interference will not occur in a particular installation. If this equipment does cause harmful interference to radio or television reception, which can be determined by turning the equipment off and on, the user is encouraged to try to correct the interference by one or more of the following measures:

- Reorient or relocate the receiving antenna.
- Increase the separation between the equipment and receiver.
- Connect the equipment into an outlet on a circuit different from that to which the receiver is connected.
- Consult the dealer or an experienced radio/TV technician for help

NOTE: The manufacturer is not responsible for any radio or TV interference caused by unauthorized modifications to this equipment. Such modifications could void the user's authority to operate the equipment.

### RF Exposure

This equipment complies with FCC radiation exposure limits set forth for an uncontrolled environment.





Website/ 官网



Facebook



Youtube



Twitter



Instagram



WeChat/ 微信



Weibo/ 微博



Tik Tok/ 抖音

## Warranty Card / 售后服务卡

Product Model  
产品型号

Serial Number  
序列号

Purchase Date  
购买日期

Customer Name  
客户姓名

Customer Tel  
客户电话

Customer Email  
客户邮箱

### Warranty:

1. Within one year from the date of selling, the product is malfunctioning under normal due to non-artificial reasons.
2. The malfunction of the product is not caused by artificial reasons such as unauthorized disassemble or conversion or addition.
3. The buyer is able to provide the certificate of maintenance service: the warranty card, the legitimate receipts, invoices, or screenshot of purchasing.

### The followings cases are not included under the warranty:

1. Unable to provide legitimate receipt and warranty card with buyer's info.
2. The damage caused by human or irresistible factor.

More details about after-sales policy, please refer to after-sales page on website:  
<https://www.feiyu-tech.com/support>

\* Our company reserves the right of final interpretation on the above-mentioned after sales terms and limitations.

### 保修范围:

1. 自购买之日起, 产品主体在 1 年内, 产品在正常使用情况下出现非人为的性能故障。
2. 无擅自拆机、无擅自改装或加装产品、其它非人为引起的故障。
3. 可提供保修服务凭证: 保修卡, 正规发票, 单据或购买截图。

### 以下情况不在保修范围内:

1. 不能提供正规购买凭证和填写详细信息的保修卡。
2. 人为或不可抗因素造成的损害。

更多保修细则以售后政策为准: <https://www.feiyu-tech.cn/support>

\* 本公司保留对上述售后条款和限制进行最终解释的权利。

QUALIFIED  
CERTIFICATE  
合格证

Checker  
检验员  
Production Date  
生产日期



This document is subject to change without notice. If you have any questions about this document, please contact us by the following ways.

说明书内容如有更新，恕不另行通知。如对本内容有任何疑问或建议，可通过以下方式联系我们。

Manufactured by/Hergestellt von/Fabricant/Fabricado por/Produttore:

Guilin Feiyu Technology Incorporated Company

制造商：桂林飞宇科技股份有限公司

Website: [www.feiyu-tech.com](http://www.feiyu-tech.com) E-mail: [support@feiyu-tech.com](mailto:support@feiyu-tech.com)

Tel: +86 773-2320865 400-990-6118 (Only for mainland China 仅限大陆地区拨打)