



SCORP Mini 2

Quick Start Guide

快速入门

Kurzanleitung

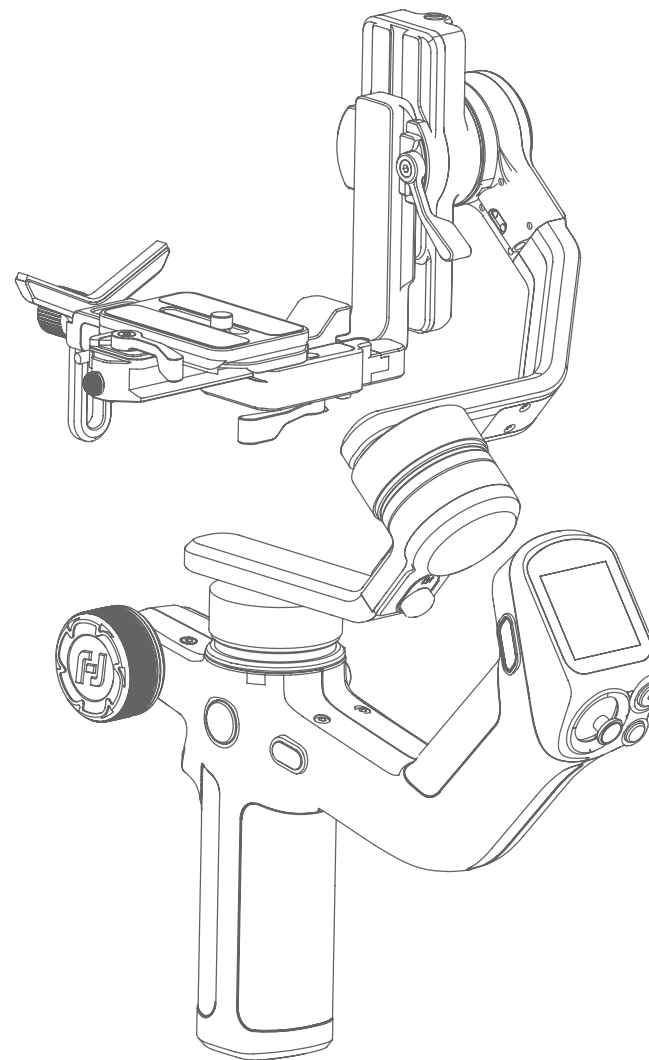
Guide de Démarrage Rapide

Guía de Inicio Rápido

Inizio rapido

クイックスタート

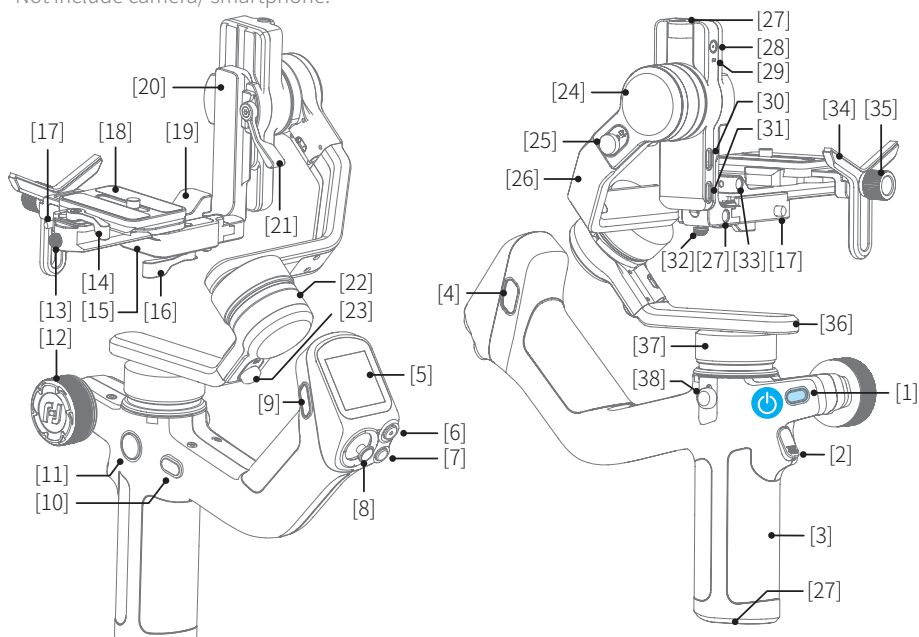
V1.1



EN	Quick Start Guide	3/
CN	快速入门	9/
DE	Kurzanleitung	14/
FR	Guide de Démarrage Rapide	20/
ES	Guía de Inicio Rápido	26/
IT	Inizio rapido	32/
JP	クイックスタート	38/

1. Overview

* Not include camera/ smartphone.



- [1] Power button
- [2] Trigger button
- [3] Handle
- [4] F2 button
- [5] Touch screen
- [6] Shutter button
- [7] Mode button
- [8] Joystick
- [9] F1 button
- [10] FPV button
- [11] Knob function switching button
- [12] Multifunction knob
- [13] Anti-drop lock for slider
- [14] Quick release plate lock
- [15] Fixed plate
- [16] Slider lock
- [17] Anti-drop lock
- [18] Quick release plate
- [19] Slider

- [20] Slide arm
- [21] Slider lock
- [22] Roll axis
- [23] Roll lock
- [24] Tilt axis
- [25] Tilt lock
- [26] Cross arm
- [27] 1/4 inch thread hole
- [28] Camera for tracking module
- [29] Indicator light for tracking module
- [30] Extension port
- [31] Camera control port
- [32] Anti-drop lock for sliding arm
- [33] M6 threaded hole
- [34] Lens holder
- [35] Lens holder screw
- [36] Versatile arm
- [37] Pan axis
- [38] Pan lock

User manual

Scan the QR code to get the latest user manual or download it from the official website.

<https://www.feiyu-tech.com/feiyu-scorp-mini-2/>



Download the App

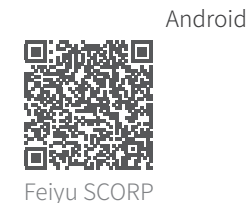
When mounting mirrorless camera, pocket camera or action camera on gimbal for shooting, please download "**Feiyu SCORP**".

When mounting smartphone on gimbal for shooting, please download "**Feiyu ON**".

Scan the QR code to download the app, or search for "**Feiyu SCORP**", "**Feiyu ON**" in the App Store or Google Play.

* Feiyu SCORP: Requires iOS 11.0 or above, Android 6.0 or above.

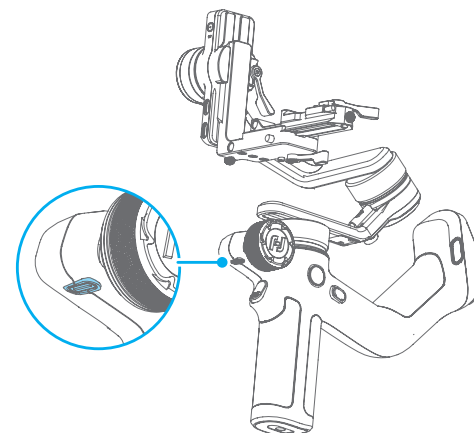
Feiyu ON: Requires iOS 12.0 or above, Android 8.0 or above.



2. Getting started

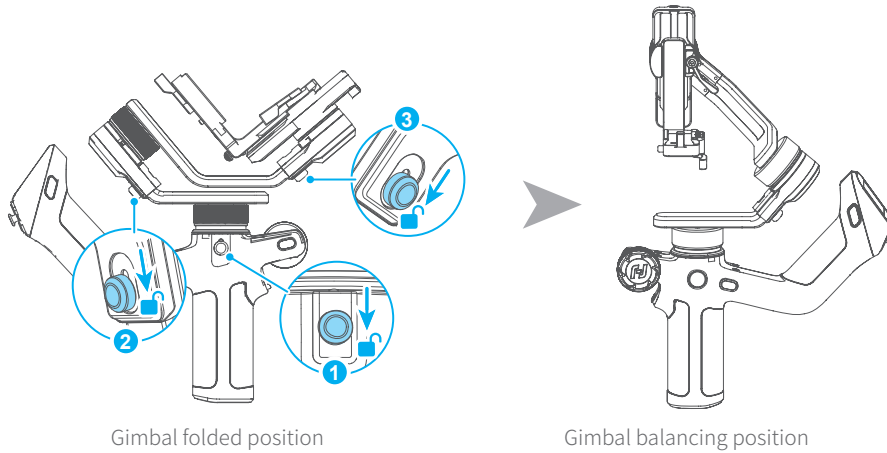
2.1 Charging

Please fully charge the battery before power on the gimbal for the first time. Charging with USB-C cable, supports quick charge.



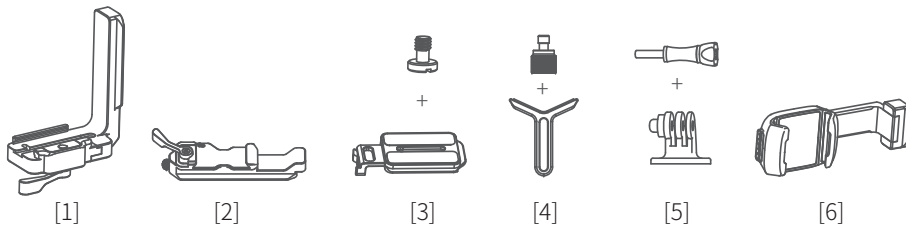
2.2 Adjust the gimbal to gimbal balancing position

The gimbal is folded by default, please unlock all the three axes and adjust the gimbal to gimbal balancing position, and then lock the three axes.



2.3 Installing fixing accessories

When using cameras, phones, and other shooting devices, you need to install the fixing accessories first.

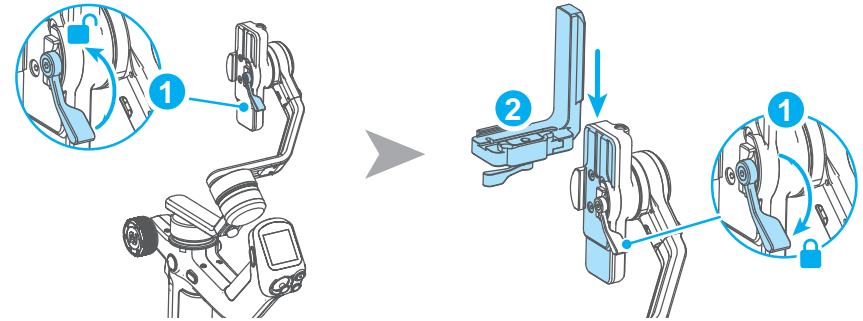


- [1] Fixed Plate
- [2] Slider
- [3] Quick release plate+screw
- [4] Lens holder+screw
- [5] GoPro adapter+screw
- [6] Smartphone holder

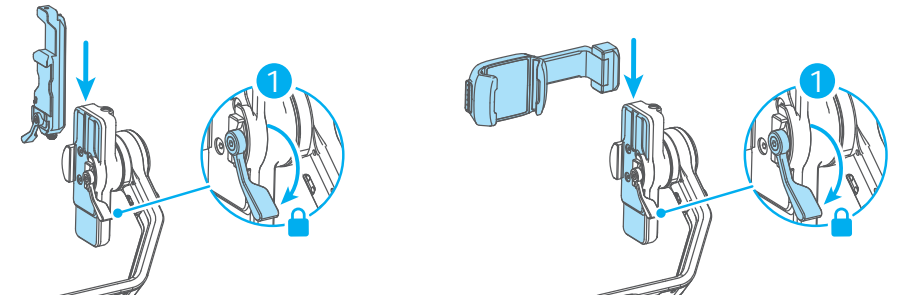
Equipped devices	Fixing accessories	Installation reference
Mirrorless camera	Horizontal mounting: [1]	Horizontal mounting: [1] + [2] + [3] + [4]
Pocket camera		Vertical mounting: [2] + [3] + [4]
Action camera	Vertical mounting: [2]	Horizontal mounting: [1] + [2] + [3]
		Vertical mounting: [2] + [3]
Smartphone	[6]	Horizontal mounting: [1] + [2] + [3] + [5]
		Vertical mounting: [2] + [3] + [5]
		[6]

EN

Install the fixed plate [1]: Unlock ①, slide ② into the slot, and lock ①.



You can also install the slider [2] or smartphone holder [6] in the same way.



3. Mounting the shooting equipment

Take camera mounting as an example.

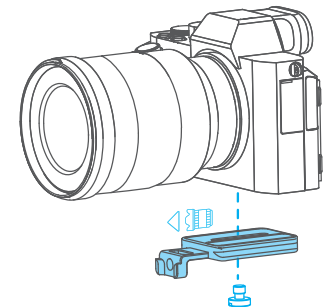
Before mounting the camera, make sure the camera is ready for shooting (Install the camera lens, and the lens cover should be removed, the memory card and battery needs to be inserted to the camera, and battery is fully charged), complete all the steps which mentioned in chapter "2. Getting started" and the gimbal is adjusted to **gimbal balancing position**. Make sure the gimbal is powered off or in sleep mode before mounting the camera.

3.1 Attach the quick release plate

Attach the quick release plate to camera by tightening the screw.

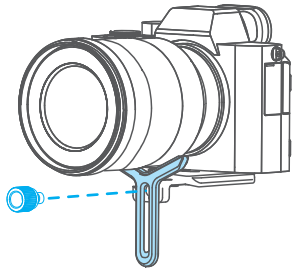
If the camera doesn't have the 1/4-20 inch screw hole, please put the camera on mount adapter, which has 1/4-20 inch screw hole, and then follow the steps above to mount it.

Users can mount smartphone into the optional smartphone holder, and follow the steps above to install it on the gimbal.



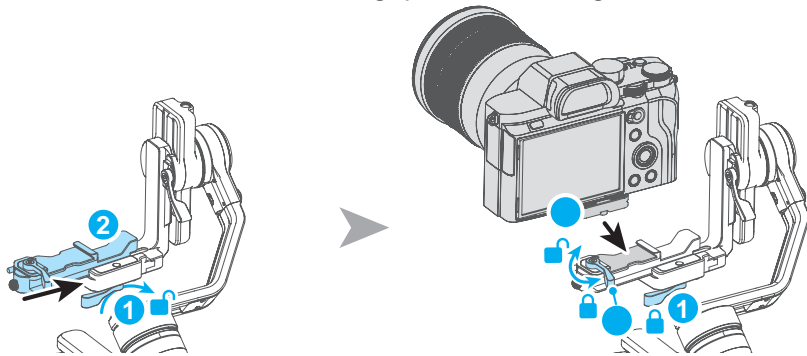
3.2 Install lens holder (Optional)

Install the lens holder on the quick release plate if needed, the rubber of the lens holder must be directly under the lens. It is recommended to use the lens holder when using a long or heavy lens.

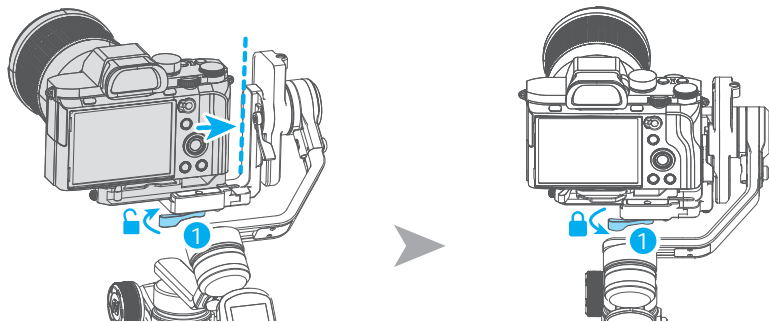


3.3 Mount camera on gimbal

Unlock ①, slide ② into the slot, lock ①, loosen ③, slide ④ into the slot as indicated, adjust the camera forward and backward until roughly balanced, then tighten ③.



It is recommended to push the camera against the tilt axis. Unlock ① to move the camera left or right according to camera's width to adjust, then lock ①.



4. Gimbal balancing

Please balance the gimbal before shooting. Take camera mounting as an example. Make sure the camera and lens are ready for shooting, and the gimbal is powered off or in sleep mode before balancing. **It is recommended to hold up the camera first, then move the slide arm, cross arm and vertical arm.**

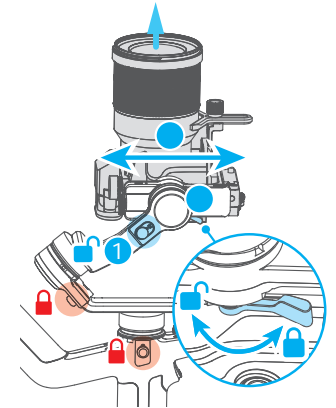


Tutorial Videos

4.1 Balancing the tilt axis

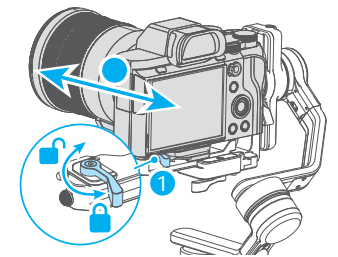
4.1.1 Balancing the vertical tilt

- Unlock the tilt lock ①, and loosen the slide arm lock ②.
- Rotate the tilt axis so that the camera lens is pointing upward. Check the direction which the lens tilts to.
- If the lens tilts to one side, then the camera is that side heavy, move the slide arm ③ to the opposite direction, until the camera is steady pointing upward.
- Tighten the slide arm lock ② while holding the camera.



4.1.2 Adjust depth for the tilt axis

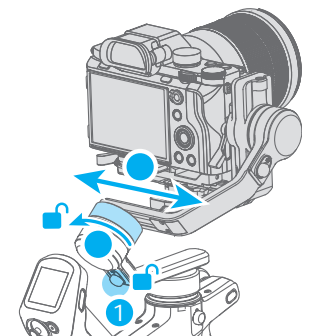
- Rotate the tilt axis so that the camera lens is pointing forward. Check the direction which the lens tilts to.
- If the lens tilts to one side, then the camera is that side heavy, unlock the quick release plate lock ① and then move the quick release plate to the opposite direction, until the camera is steady pointing forward.
- Lock the quick release plate lock ① while holding the camera.



The tilt axis is balanced when the camera is steady while tilted up or down by 45°.

4.2 Balancing the roll axis

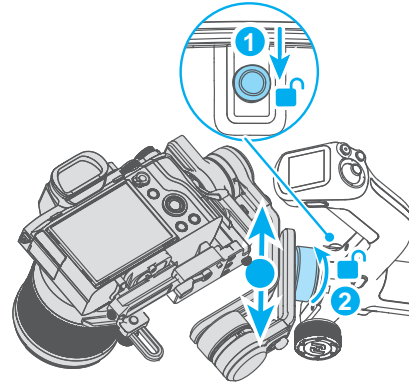
- Unlock the roll lock ①, check the direction which the camera tilts to.
- If the camera tilts to one side, then the camera is that side heavy, loosen the cross arm lock knob ② and then move the cross arm to the opposite direction, until the camera can stay still and horizontal to the ground.
- Tighten the cross arm lock knob ②.



The roll axis is balanced when the camera can stay still and horizontal to the ground.

4.3 Balancing the pan axis

- Unlock the pan lock ①. Hold the tripod, and tilt the gimbal forward until it is horizontal to the ground.
- If the camera tilts to one side, then the camera is that side heavy, loosen the vertical arm lock knob ② and then move the vertical arm ③ to the opposite direction, until the camera can stay still and horizontal to the ground.
- Tighten the vertical arm lock knob ②.



The pan axis is balanced when the camera can stay still and horizontal to the ground.

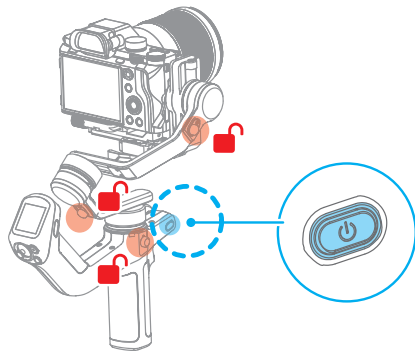
5. Operation

5.1 Power ON/ OFF

Before power on the gimbal, make sure you have balanced gimbal, and unlocked all the three axes. If you haven't unlocked all the 3 axes, gimbal will enter sleep mode to protect itself. Please single tap power button to wake up gimbal after unlocked all the 3 axes.

! Please set motor power first after powering on gimbal for the first time or after changing a new camera/lens.

Long press the power button and release it when you hear the beep sound to power on/off.



5.2 Follow mode introduction

PF: Pan follow, only the pan axis follows the movement of user's hand.

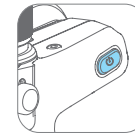
PTF: Pan and tilt follow, where both the pan and tilt axes follow the movement of user's hand, but roll axis does not.

FPV: Pan, tilt and roll follow, where all 3 axes follow the movement of user's hand.

Lock: All 3 axes do not follow the movement of user's hand, gimbal keeps the direction of the camera fixed.

FFW: Flash follow, where all 3 axes follow the movement of user's hand in high follow speed.

5.3 Button operation



Power button

Long press: Power on/off

Single tap: Wake up(In sleep mode)

Double tap: Enter sleep mode



Mode button

Single tap: PF mode(Default) /PTF/FPV (Switch in turn)

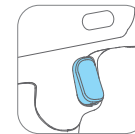
Tap five times: Horizon calibration



Joystick

Push:

- Control the movement of the tilt and pan axes.
- Control album (In Feiyu ON App)



Trigger button

Single tap:Face tracking (In Feiyu ON App)

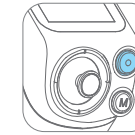
Double tap: Recenter

Triple tap: Enter/Exit selfie mode (Pan axis turn 180°)

Tap four times: Switch roll axis to back/front (Useful for reducing obstruction of front/rear camera when shooting)

Press and hold: Lock mode (Release to exit)

You can custom the function via APP



Shutter button

Camera Connected

Press half way: Focus

Single tap (Fully): Start/stop recording

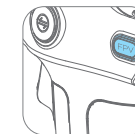
Long press (Fully): Take photo

Phone Connected

Press half way: Focus (Feiyu ON App)

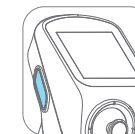
Single tap (Fully): Shutter

Long press (Fully): Switch among video/ photo mode (Feiyu ON App)



FPV button

Single tap: Enter/Exit FPV mode



F1 button

Single tap: Enter/exit album (In Feiyu ON App)

Double tap: Enter/exit portrait mode

Long Press: Enter/Exit AI Tracking (With AI Power enabled)



F2 button

Single tap:

- (1) Lock/Unlock screen (In home page)
- (2) Return to home page (In other pages)

Double tap: Enter FFW mode



Multifunction knob

Turn:

- (1) Control the movement of the roll, tilt and pan axes.
- (2) Control electronic focus/zoom (The smartphone requires the use of the Feiyu ON App)
- (3) Control focus motor.
- (4) Adjust the parameter in the touch screen.

Set current control option as option (1) or (2) or (3) through long press the knob function switching button or swipe up in home page.



Knob function switching button

Single tap:

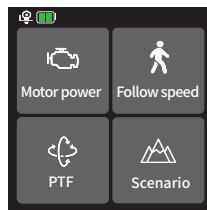
- (1) Switch the control object while controlling the movement of the 3 axes (Tilt/Pan/Roll)
- (2) When in electronic focus/zoom control state, single tap to switch between electronic focus and electronic zoom (The smartphone requires the use of the Feiyu ON App)

Long press: Switch the control options of Multifunction knob in turn (The movement of the 3 axes, electronic focus/zoom)

* (1) When using a camera or the original camera app on your smartphone to capture photos or videos, some features may require specific camera or smartphone support. You can visit the official website to check the list of compatible devices: <https://www.feiyu-tech.com/feiyu-scorp-mini-2/>

(2) We recommend using this product in conjunction with the Feiyu ON / Feiyu SCORP App.

5.4 Touch screen operation



Home page

Motor power

Use auto tune to adjust the motor power automatically, or adjust motor power for each axis manually.

Follow speed

User can select different gimbal follow speed profiles, or custom follow speed.



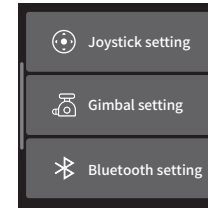
Follow mode

Select gimbal follow mode



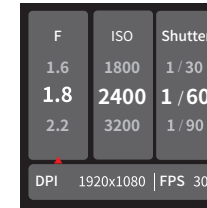
Scenario

Scenario-based functional application.



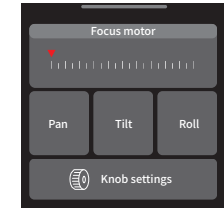
Swipe from right to left

Joystick, gimbal and more settings



Swipe from left to right

Shooting parameters settings



Swipe up

Multifunction knob settings

- **Return to previous menu:** Swipe to right

5.5 AI Tracking

Swipe left on the home screen, select "More Settings," and enable "AI Power."



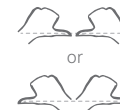
OK gesture (Left or right hand)/Long press the F1 button: Start tracking

Start tracking with the green light stays on.



Spread palm (Left or right hand): Shutter

When the smartphone is in photo/video mode:
Take photo or start recording after a 3-second countdown with beep sound.
After started the recording, do the gesture again to stop recording



or

Thumbs opposite direction/Long press the F1 button again: Stop tracking

Stop tracking, enter standby mode with the red light/yellow light stays on

6. Specifications

Product name	Feiyu SCORP-Mini 2 3-Axis Handheld Gimbal for Camera
Product model	FeiyuF1-2
Max. Tilt Range	+163° ~-155° (±3°)
Max. Roll Range	+70° ~-250° (±3°)
Max. Pan Range	360°
Weight	About 852g (Not including tripod)
Payload Capability	About 1200g (Well-balanced)
Battery life	≤ 10 Hours*
Battery	2500mAh
Operating Voltage	6.8V-8.4V
Compatible	Mirrorless camera and pocket camera (Sony, Canon, Nikon, Panasonic, etc. For specific camera and lens compatibility, please refer to the official website's compatibility list.), action camera like GoPro, and smartphone (Width: 52mm~82mm, thickness: < 8.9mm)

*Experimental conditions: Payload about 1000g, balanced, in Pan Follow mode on standby

Accessories

- | | |
|--|--------------------------------------|
| [1] USB-C Charging Cable x1 | [14] Focus motor support rod x1 |
| [2] USB-C to Micro Camera Control Cable x1 | [15] Smartphone holder x1 |
| [3] USB-C to USB-C Camera Control Cable x1 | [16] Long thumb screw x1 |
| [4] USB-C to TRS2.5 Camera Control Cable x1 | [17] Gopro adapter x1 |
| [5] USB-C to Multi Camera Control Cable x1 | [18] Lens holder screw x1 |
| [6] USB-C to 2.5mm Camera Control Cable (DC2.5mm) x1 | [19] Camera fixed screw x1 |
| [7] USB-C to TRS3.5 Camera Control Cable x1 | [20] Fixed screw for support rod x1 |
| [8] USB-C to Mini Camera Control Cable x1 | |
| [9] Tripod x1 | <u>Kit Version Additions:</u> |
| [10] Fixed plate x1 | [21] Wireless fill light x1 |
| [11] Slider x1 | [22] Expandable module x1 |
| [12] Quick release plate x1 | [23] Carbon fiber rod x1 |
| [13] Lens holder x1 | [24] Storage bag x1 |

Notice

1. Make sure motor spinning is not blocked by external force when the product is power on.
2. The product DO NOT contact water or other liquid if the product is not mark waterproof or splash-proof. Waterproof and splash-proof product DO NOT contact sea water or other corrosive liquid.
3. DO NOT disassembly the product except marked detachable. It need send to FeiyuTech after-sales or authorized service center to fix it if you accidently disassembly and cause abnormal work. The relevant costs are borne by user.
4. Prolonged continuous operation may cause the product surface temperature to rise, please operate carefully.
5. DO NOT drop or strike the product. If the product is abnormal, contact Feiyu After-sales support.

Storage and Maintenance

1. Keep the product out of the reach of children and pets.
2. DO NOT leave the product near heat sources such as a furnace or heater. DO NOT leave the product inside of a vehicle on hot days.
3. Please storage the product in dry environment.
4. DO NOT overcharge or overuse the battery, otherwise it will cause damage to the battery core. If does not use the product for a long time, please charge it at least once within one month.
5. Never use the product when the temperature is too high or too low.

FCC regulatory conformance:

This device complies with Part 15 of the FCC Rules. Operation is subject to the following two conditions:

- (1) This device may not cause harmful interference.
- (2) This device must accept any interference received, including interference that may cause undesired operation.

NOTE

This equipment has been tested and found to comply with the limits for a Class B digital device, pursuant to part 15 of the FCC Rules. These limits are designed to provide reasonable protection against harmful interference in a residential installation.

This equipment generates uses and can radiate radio frequency energy and, if not installed and used in accordance with the instructions, may cause harmful interference to radio communications. However, there is no guarantee that interference will not occur in a particular installation. If this equipment does cause harmful interference to radio or television reception, which can be determined by turning the equipment off and on, the user is encouraged to try to correct the interference by one or more of the following measures:

- Reorient or relocate the receiving antenna.
- Increase the separation between the equipment and receiver.
- Connect the equipment into an outlet on a circuit different from that to which the receiver is connected.
- Consult the dealer or an experienced radio/TV technician for help.

NOTE

The manufacturer is not responsible for any radio or TV interference caused by unauthorized modifications to this equipment. Such modifications could void the user's authority to operate the equipment.

RF Exposure

This equipment complies with FCC radiation exposure limits set forth for an uncontrolled environment.

Warranty Card / 售后服务卡

Product Model

产品型号

Serial Number

序列号

Purchase Date

购买日期

Customer Name

客户姓名

Customer Tel

客户电话

Customer Email

客户邮箱

Warranty:

1. Within one year from the date of selling, the product is malfunctioning under normal due to non-artificial reasons.
2. The malfunction of the product is not caused by artificial reasons such as unauthorized disassemble or conversion or addition.
3. The buyer is able to provide the certificate of maintenance service: the warranty card, the legitimate receipts, invoices, or screenshot of purchasing.

The followings cases are not included under the warranty:

1. Unable to provide legitimate receipt and warranty card with buyer's info.
2. The damage caused by human or irresistible factor.

More details about after-sales policy, please refer to after-sales page on website:

<https://www.feiyu-tech.com/service>

* Our company reserves the right of final interpretation on the above-mentioned after sales terms and limitations.

保修范围:

1. 自购买之日起, 产品主体在 1 年内, 产品在正常使用情况下出现非人为的性能故障。
2. 无擅自拆机、无擅自改装或加装产品、其它非人为引起的故障。
3. 可提供保修服务凭证: 保修卡, 正规发票, 单据或购买截图。

以下情况不在保修范围内:

1. 不能提供正规购买凭证和填写详细信息的保修卡。
2. 人为或不可抗因素造成的损害。

更多保修细则以售后政策为准: <https://www.feiyu-tech.cn/service>

* 本公司保留对上述售后条款和限制进行最终解释的权利。



Website/ 官网



Facebook



Youtube



Twitter



Instagram



WeChat/ 微信



Weibo/ 微博



Tik Tok/ 抖音



Tutorial Videos



教学视频

QUALIFIED
CERTIFICATE
合格证

Checker
检验员

Production Date
生产日期



This document is subject to change without notice.

说明书内容如有更新, 恕不另行通知。

Dieses Dokument kann ohne vorherige Ankündigung geändert werden.

Le contenu du manuel peut être modifié sans préavis.

Este manual está sujeto a cambios sin previo aviso.

Il contenuto del manuale è soggetto ad aggiornamenti senza preavviso.

マニュアルの内容は、予告なしに更新される場合があります。



Manufactured by/Hergestellt von/Fabricant/Fabricado por/Produttore:

Guilin Feiyu Technology Incorporated Company

制造商：桂林飞宇科技股份有限公司

Website/Website/Site Web/Sitio web/Sito web: www.feiyu-tech.com 网址：www.feiyu-tech.cn

E-mail/ 邮箱 /E-Mail/Courriel/Correo electrónico/E-mail: support@feiyu-tech.com

Tel/Telefon/Tél./Teléfono/Telefono: +86 773-2320865 电话：400-990-6118 (仅限大陆地区拨打)