

User Manual  
EN V1.0

***α1000***

3-Axis Gimbal for Mirrorless Camera

GuiLin FeiYu Technology Incorporated Company

## 1. Installation

Attention: Please complete the following instructions before power on the gimbal



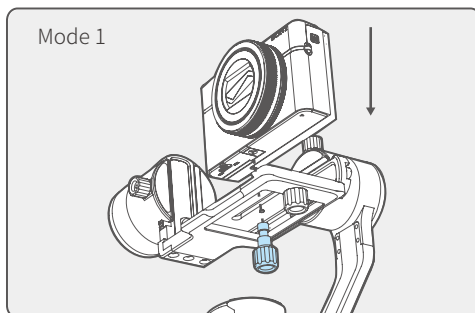
### Attention

As the stabilizer comes with boot self-test function, such as the stabilizer due to no load, the balance adjustment is less than ideal, or due to the intensity adjustment does not fit and other reasons cause the stabilizer vibration is too large, the gimbal will automatically enter the standby mode.

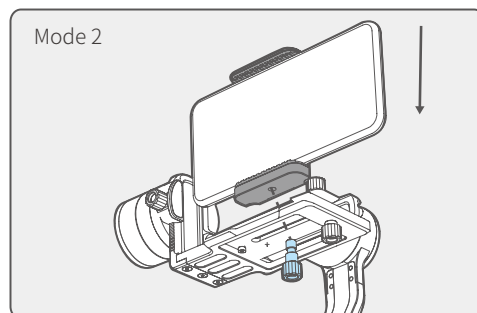
### 1 Installation

Please keep the camera close to the panning!

(1) Place the camera correctly and adjust the skateboard, and use a Thumb screw to secure the camera through the middle hole in the bottom of the skateboard.



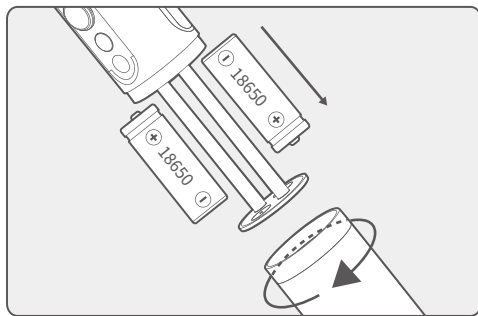
(2) Place the phone correctly and adjust the skateboard, and use a thumb screw to secure the phone through the middle hole in the bottom of the skateboard.



## 2 Insert the batteries

Prior to use, please be sure to fill the batteries.

Remove the handle, insert 2 pcs 18650 batteries and tighten the screw.



## 2. Modes / Functions

### Working Modes

#### Panning Mode

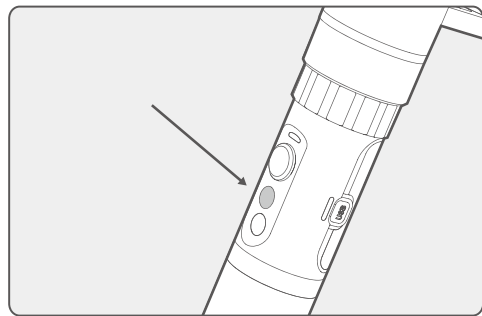
Tilting and rolling direction are fixed, and the camera lens moves according to the hand movement of the user.

\* Boot default mode: Panning mode

## 3 Power on / off

**Power on:** Long press function button and release it until the green light is on.

**Power off:** Long press function button and release it until the green light changes from quick flashing to constant.



⚠ In case of low battery, the indicator will light red and flash 3 times every 5 seconds. Please charge gimbal or replace the battery.

#### Panning and Tilting Mode

The rolling direction is fixed, and the camera lens moves according to the hand movement of the user.

## Lock Mode

The orientation of the camera is fixed.

## Other Functions

### Reset

Reset to initial status.

### Stand-by

Motor stops working.

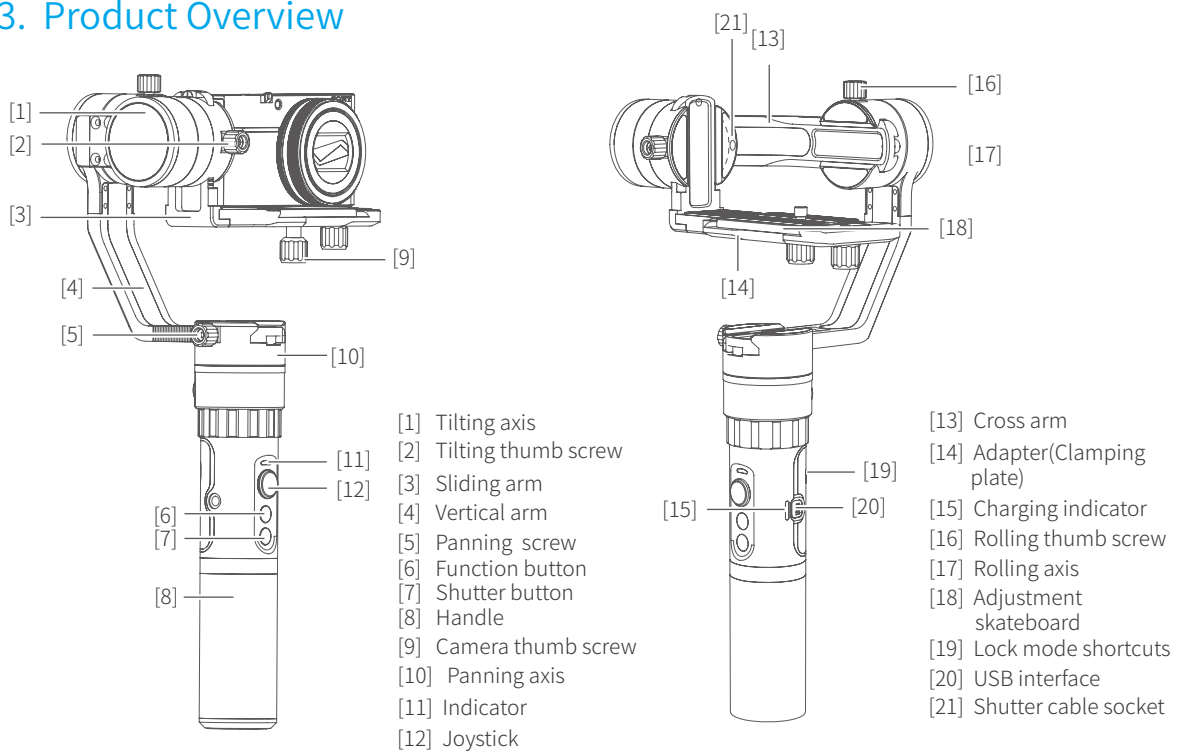
### Charge

USB charge Input:5V/1A

## Operating Instructions of Function Buttons

Operation	Function	Explanation
Single tap	Panning mode / Lock mode	Single tap to switch between panning mode and lock mode
Double tap	Panning and Tilting Mode	Under panning and tilting mode, single tap to switch to lock mode
Triple tap	Rotate 180°in horizontal	Make the camera lens rotate 180 °
Quadruple tap	Reset	Reset the tilting axis of the gimbal to initial orientation and initial mode
Long press for 1 second	Standby	Single tap again to awake the gimbal, or triple tap to initialize the gimbal

### 3. Product Overview



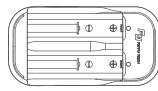
### Basic accessories



USB cable  
(micro port)



Battery x2  
(Type: 18650)



Smart charger

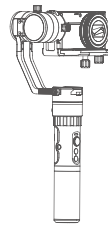
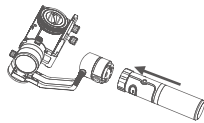


Thumb screw

### Advanced accessories

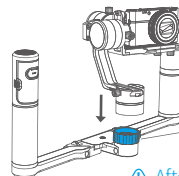
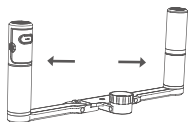
**α1000** A combination of folding arms can be used in a variety of ways

Single-armed  
installation



Dual Handheld  
Installation

α2000 Double-hand foldable set



Retaining ring

⚠ After installation, please  
tighten the retaining ring