

# RF TEST REPORT

**Report No.** : 160329035SZN-002  
**Model No.** : WR1201  
**Additional Models** : WR1202, WR\*\*\*\* (\* from 0 to 9),  
HT-ND001  
**Issued Date** : 24 May 2016

**Applicant:** Shen Zhen MTC Co., LTD  
Co., LTD MTC Industry Park, 1st Lilang Road, Xialilang  
community, Nanwan street, Longgang district, Shenzhen,  
China

**Test Method/  
Standard:** FCC Part 15 Subpart E;  
KDB 789033 D02 v01r02;  
KDB 662911 D01 v02r01;  
ANSI C63.4-2009

**Test By:** Intertek Testing Services Shenzhen Ltd. Kejiyuan Branch  
6F, D Block, Huahan Building, Langshan Road,  
Nanshan District, Shenzhen, P. R. China

**The test report was prepared by:** Sign on File  
Kidd Yang / Senior Project Engineer

**The test report was reviewed by:**

**Name** Andy Yan  
**Title** Technical Supervisor

- The test results reported in this test report shall refer only to the sample actually tested and shall not refer or be deemed to refer to bulk from which such a sample may be said to have been obtained.
- This report is for the exclusive use of Intertek's Client and is provided pursuant to the agreement between Intertek and its Client. Intertek's responsibility and liability are limited to the terms and conditions of the agreement. Intertek assumes no liability to any party, other than to the Client in accordance with the agreement, for any loss, expense or damage occasioned by the use of this report. Only the Client is authorized to copy or distribute this report. Any use of the Intertek name or one of its marks for the sale or advertisement of the tested material, product or service must first be approved in writing by Intertek. The observations and test results referenced from this report are relevant only to the sample tested. This report by itself does not imply that the material, product, or service is or has ever been under an Intertek certification program.
- For Terms And Conditions of the services, it can be provided upon request.
- The evaluation data of the report will be kept for 3 years from the date of issuance.

## Table of Contents

Summary of Tests .....	3
1. General information .....	4
1.1 Identification of the EUT .....	4
1.2 Additional information about the EUT.....	5
1.3 Antenna description (15.203) .....	5
1.4 Peripherals equipment .....	5
2. Test specifications .....	6
2.1 Test standard.....	6
2.2 Operation mode .....	7
3. Maximum Output Power test (FCC 15.407) .....	8
3.1 Operating environment.....	8
3.2 Test setup & procedure .....	8
3.3 Limit .....	8
3.4 Measured data of Maximum Output Power test results .....	9
4. Power Spectrum Density test (FCC 15.407) .....	15
4.1 Operating environment.....	15
4.2 Test setup & procedure .....	15
4.3 Limit .....	15
4.4 Measured data of Power Spectrum Density test results .....	16
5. Minimum 6 dB RF Bandwidth (FCC 15.407).....	19
5.1 Operating environment.....	19
5.2 Test setup & procedure .....	19
5.3 Limit .....	19
5.4 Measured data of Minimum 6 dB RF Bandwidth test results .....	20
6. Radiated Emission test (FCC 15.205 & 15.209 & 15.407).....	22
6.1 Operating environment.....	22
6.2 Test setup & procedure .....	22
6.3 Limit .....	24
6.4 Radiated spurious emission test data.....	26
6.4.1 Measurement results: frequencies equal to or less than 1 GHz.....	26
6.4.2 Measurement results: frequency above 1GHz .....	27
7. Power Line Conducted Emission test.....	54
7.1 Operating environment.....	54
7.2 Test setup & procedure .....	54
7.3 Limit .....	55
7.4 Power Line Conducted Emission test data .....	56
8. Frequency Stability Test .....	58
8.1 Test setup & procedure .....	58
8.2 Frequency Stability Test Data .....	58

### Summary of Tests

FCC Parts	Test	Section	Results
15.203	Antenna Requirement	1.3	Pass
15.407 a (1)/(3)	Maximum output power test	3	Pass
15.407 a (1)/(3)	Power Spectrum Density test	4	Pass
15.407 e	6dB Bandwidth	5	Pass
15.407 b, 15.205, 15.209	Radiated spurious emission test	6	Pass
15.207	AC line conducted emission test	7	Pass
15.407 g	Frequency Stability	8	Pass

## 1. General information

### 1.1 Identification of the EUT

Product:	Wireless AC1200 Dual Band Gigabit Router
Model No.:	WR1201
Additional Models:	WR1202, WR**** (* from 0 to 9), HT-ND001
Model declaration:	All models are the same in hardware and electronic aspects excepting antenna type and gain, the different model number and trade name only be used for market stratagem.
Type of Device:	Master device
Nominal Channel Bandwidth:	802.11a/n-HT20 (20 MHz), 802.11n-HT40 (40MHz), 802.11ac (20/40/80MHz)
Operating Frequency:	1. 5180 MHz ~ 5240 MHz 2. 5745 MHz ~ 5825 MHz
Channel Number:	4 channels for 5180 MHz ~ 5240 MHz for 802.11a/n/ac-HT20; 2 channels for 5190 MHz ~ 5230 MHz for 802.11n/ac-HT40; 1 channels for 5210 MHz for 802.11ac; 5 channels for 5745 MHz ~ 5825 MHz for 802.11a/n/ac-HT20; 2 channels for 5755 MHz ~ 5795 MHz for 802.11n/ac-HT40 1 channels for 5775 MHz for 802.11ac
Rated Power:	12Vdc, 1.5A from adapter (Model No.: MSP-C1500IC12.0-18A-US)
Test Date(s):	30 April 2016 to 15 May 2016
Note 1:	This report is for the exclusive use of Intertek's Client and is provided pursuant to the agreement between Intertek and its Client. Intertek's responsibility and liability are limited to the terms and conditions of the agreement. Intertek assumes no liability to any party, other than to the Client in accordance with the agreement, for any loss, expense or damage occasioned by the use of this report. Only the Client is authorized to permit copying or distribution of this report and then only in its entirety. Any use of the Intertek name or one of its marks for the sale or advertisement of the tested material, product or service must first be approved in writing by Intertek. The observations and test results in this report are relevant only to the sample tested. This report by itself does not imply that the material, product, or service is or has ever been under an Intertek certification program.
Note 2:	When determining the test conclusion, the Measurement Uncertainty of test has been considered.

## 1.2 Additional information about the EUT

The EUT is a Wireless AC1200 Dual Band Gigabit Router with 4 Antennas. 2 antennas (Ant3&Ant4) used for WiFi 5GHz band and another 2 antennas (Ant1&Ant2) used for 2.4GHz band. When product operates on SISO mode 802.11a/n-HT20/40/ac mode (5.2/5.8G band), only one antenna is used for transmitting according the rationale that the receiver sensitivity has meet internal limit valve, the antenna of EUT will auto transfer to the another antenna. When product operates on MIMO mode (2Tx), Ant3 and Ant4 will transmit simultaneously.

For more detail features, please refer to User's description as file name “descri.pdf”.

## 1.3 Antenna description (15.203)

The EUT uses Integral Antenna which in accordance to Section 15.203 is considered sufficient to comply with the provisions of this section.

Model No.:	Antenna Type	Gain
WR1201, HT-ND001	Integral Ant. (external)	5dBi
WR1202	Integral Ant. (internal)	3dBi
WR**** (* from 0 to 9)	Integral Ant. (external or internal)	5dBi or 3dBi

## 1.4 Peripherals equipment

Description	Manufacturer	Model No.
Laptop	HP	Compaq 2510p
HardDisk	Smart.drive	HD-003
USB cable	N/A	1.2m (Unshielded)
RJ45 cable × 1	N/A	1.2m (Unshielded)
Adapter	MOSO	MSP-C1500IC12.0-18A-US
USB Memory	SanDisk	SDCZ36-002G-P36
Micro SD card	SanDisk	SDSDQ-2048-P36M
RJ45 cable × 4	N/A	4.5m (Unshielded)
Router	TP-Link	TL-WR842N

## 2. Test specifications

### 2.1 Test standard

The EUT was performed according to the procedures in FCC Part 15 E, Section 15.203, 15.207, 15.209, 15.407 and ANSI C63.4/2009, method of measurement: KDB 789033.

The test of radiated measurements according to FCC Part 15 Section 15.33(a) had been conducted and the field strength of this frequency band was all meet limit requirement, thus we evaluate the EUT pass the specified test.

The AC power conducted emissions was investigated over the frequency range from 0.15 MHz to 30 MHz using a receiver bandwidth of 9 kHz (15.207 paragraph).

Radiated emissions were investigated cover the frequency range from 9KHz to 30MHz using a receiver RBW of 9kHz, from 30 MHz to 1000 MHz using a receiver RBW of 120 kHz record QP reading, and the frequency over 1 GHz using a spectrum analyzer RBW of 1 MHz, VBW of 3MHz, Detector=Peak record for Peak reading, RBW of 1 MHz, VBW of 3MHz, Detector=RMS record for Average reading recorded on the report.

The EUT setup configurations please refer to the photo of radiated setup photos.pdf & conducted setup photos.pdf.

## 2.2 Operation mode

The EUT was supplied by adapter with 12Vdc, 1.5A and it was run in TX mode that was controlled by client provided RF testing program.

The EUT was transmitted continuously during the test. The models with different antenna gain were tested and the worst case test result with the model: WR1201 was showed in the report.

With individual verifying, the maximum output power was found at 6 Mbps data rate for 802.11a mode, 6.5 Mbps data rate for 802.11n-HT20 mode, 13.5 Mbps data rate for 802.11n-HT40 mode, 29.3Mbps data rate for 802.11ac. The final tests were executed under these conditions and recorded in this report individually.

### Table for Parameters of Test Software Setting

During testing, Channel & Power Controlling Software provided by the customer was used to control the operating channel as well as the output power level. The RF output power selection is for the setting of RF output power expected by the customer and is going to be fixed on the firmware of the final end product.

### 3. Maximum Output Power test (FCC 15.407)

#### 3.1 Operating environment

Temperature: 25 °C  
 Relative Humidity: 50 %  
 Atmospheric Pressure: 1023 hPa

#### 3.2 Test setup & procedure

The power output per FCC §15.407(a) was measured on the EUT using a 50 ohm SMA cable connected to Power Meter and the measurement method refer to 789033 D02. Power was read directly and cable loss correction (0.5dB) was added to the reading to obtain power at the EUT antenna terminals.

#### 3.3 Limit

Operating Frequency (MHz)	Max Conducted TX Power	Max EIRP
5150~5250	* <sub>1</sub> 30dBm (1W) for master device	* <sub>2</sub> 4W (36dBm) with 6dBi antenna
	24dBm (250mW) for client device	
5725~5850	* <sub>1</sub> 30dBm (1W)	* <sub>2</sub> 4W (36dBm) with 6dBi antenna

Remark: \*<sub>1</sub> The device declare as Master device.

- \*<sub>2</sub> 1).Tx Power Reduction (dBm-by-dBi) required when antenna exceeds 6dBi.
- 2). For MIMO system of 802.11n/ac, total power is calculated by combining the output power of each antenna according to KDB662911.
- 3). 5.2/5.8G band Ant3/4: 5dBi
- 4). In MIMO (2Tx), Ant3+Ant4 Directional gain = GANT + 10 log(N) dBi = 5 + 10 log(2) = 8.0dBi so the Power limit will reduce to 28.0m (631.0mW) for conducted TX power and 34.0dBm (2511.9mW) for EIRP.



### 3.4 Measured data of Maximum Output Power test results

#### 5150 MHz ~ 5250 MHz

#### Max Conducted TX Power

SISO Mode, Ant3

Mode	Channel	Data Rate (Mbps)	Output Power (dBm)	Limit (dBm)
802.11a	36	6	10.2	30
	40		10.2	30
	48		10.9	30
802.11n-HT20	36	6.5	10.2	30
	40		10.2	30
	48		10.3	30
802.11n-HT40	38	13.5	10.1	30
	46		10.7	30
802.11ac-HT20	36	6.5	10.2	30
	40		10.6	30
	48		9.9	30
802.11ac-HT40	38	13.5	10.6	30
	46		10.4	30
802.11ac-HT80	42	29.3	10.4	30

SISO Mode, Ant4

Mode	Channel	Data Rate (Mbps)	Output Power (dBm)	Limit (dBm)
802.11a	36	6	9.7	30
	40		9.7	30
	48		10.1	30
802.11n-HT20	36	6.5	10.2	30
	40		10.2	30
	48		10.1	30
802.11n-HT40	38	13.5	10.3	30
	46		10.1	30
802.11ac-HT20	36	6.5	10.1	30
	40		10.2	30
	48		10.4	30

802.11ac-HT40	38	13.5	10.3	30
	46		10.1	30
802.11ac-HT80	42	29.3	10.5	30

MIMO Mode, Ant3+Ant4

Mode	Channel	Data Rate (Mbps)	Output Power (dBm)			Limit (dBm)
			Ant3	Ant4	Total	
802.11n-HT20	36	13	9.5	9.6	12.6	28
	40		9.6	9.5	12.6	28
	48		8.9	8.8	11.9	28
802.11n-HT40	38	27	9.5	9.6	12.6	28
	46		8.9	8.9	11.9	28
802.11ac-HT20	36	13	9.0	9.1	12.1	28
	40		9.4	9.5	12.5	28
	48		9.4	9.6	12.5	28
802.11ac-HT40	38	27	9.6	9.5	12.6	28
	46		9.4	9.5	12.5	28
802.11ac-HT80	42	58.6	8.8	8.9	11.9	28

Max EIRP

SISO Mode, Ant3

Mode	Channel	Data Rate (Mbps)	Duty cycle	Output Power (dBm)	Gain (dBi)	E.I.R.P (dBm)	Limit (dBm)
802.11a	36	6	99%	10.2	5.0	15.2	36
	40			10.2	5.0	15.2	36
	48			10.9	5.0	15.9	36
802.11n-HT20	36	6.5	99%	10.2	5.0	15.2	36
	40			10.2	5.0	15.2	36
	48			10.3	5.0	15.3	36
802.11n-HT40	38	13.5	99%	10.1	5.0	15.1	36
	46			10.7	5.0	15.7	36
802.11ac-HT20	36	6.5	99%	10.2	5.0	15.2	36
	40			10.6	5.0	15.6	36
	48			9.9	5.0	14.9	36
802.11ac-HT40	38	13.5	99%	10.6	5.0	15.6	36

	46			10.4	5.0	15.4	36
802.11ac-HT80	42	29.3	99%	10.4	5.0	15.4	36

SISO Mode, Ant4

Mode	Channel	Data Rate (Mbps)	Duty cycle	Output Power (dBm)	Gain (dBi)	E.I.R.P (dBm)	Limit (dBm)
802.11a	36	6	99%	9.7	5.0	14.7	36
	40			9.7	5.0	14.7	36
	48			10.1	5.0	15.1	36
802.11n-HT20	36	6.5	99%	10.2	5.0	15.2	36
	40			10.2	5.0	15.2	36
	48			10.1	5.0	15.1	36
802.11n-HT40	38	13.5	99%	10.3	5.0	15.3	36
	46			10.1	5.0	15.1	36
802.11ac-HT20	36	6.5	99%	10.1	5.0	15.1	36
	40			10.2	5.0	15.2	36
	48			10.4	5.0	15.4	36
802.11ac-HT40	38	13.5	99%	10.3	5.0	15.3	36
	46			10.1	5.0	15.1	36
802.11ac-HT80	42	29.3	99%	10.5	5.0	15.5	36

MIMO Mode, Ant3+Ant4

Mode	Channel	Data Rate (Mbps)	Duty cycle	Output Power (dBm)			Gain (dBi)	E.I.R.P (dBm)	Limit (dBm)
				Ant3	Ant1	Total			
802.11n-HT20	36	13	99%	9.5	9.6	12.6	8.0	20.6	34
	40			9.6	9.5	12.6	8.0	20.6	34
	48			8.9	8.8	11.9	8.0	19.9	34
802.11n-HT40	38	27	99%	9.5	9.6	12.6	8.0	20.6	34
	46			8.9	8.9	11.9	8.0	19.9	34
802.11ac-HT20	36	13	99%	9.0	9.1	12.1	8.0	20.1	34
	40			9.4	9.5	12.5	8.0	20.5	34
	48			9.4	9.6	12.5	8.0	20.5	34
802.11ac-HT40	38	27	99%	9.6	9.5	12.6	8.0	20.6	34
	46			9.4	9.5	12.5	8.0	20.5	34
802.11ac-HT80	42	58.6	99%	8.8	8.9	11.9	8.0	19.9	34

**5725 MHz ~ 5850 MHz**

**Max Conducted TX Power**

SISO Mode, Ant3

Mode	Channel	Data Rate (Mbps)	Output Power (dBm)	Limit (dBm)
802.11a	149	6	10.5	30
	157		10.1	30
	165		10.0	30
802.11n-HT20	149	6.5	10.8	30
	157		10.6	30
	165		10.2	30
802.11n-HT40	151	13.5	10.2	30
	159		9.9	30
802.11ac-HT20	149	6.5	10.8	30
	157		10.5	30
	165		10.4	30
802.11ac-HT40	151	13.5	10.8	30
	159		10.7	30
802.11ac-HT80	155	29.3	10.5	30

SISO Mode, Ant4

Mode	Channel	Data Rate (Mbps)	Output Power (dBm)	Limit (dBm)
802.11a	149	6	10.2	30
	157		10.1	30
	165		10.1	30
802.11n-HT20	149	6.5	10.1	30
	157		10.2	30
	165		9.9	30
802.11n-HT40	151	13.5	10.8	30
	159		10.7	30
802.11ac-HT20	149	6.5	10.5	30
	157		10.5	30
	165		10.4	30
802.11ac-HT40	151	13.5	10.8	30

	159		10.7	30
802.11ac-HT80	155	29.3	10.4	30

MIMO Mode, Ant3+Ant4

Mode	Channel	Data Rate (Mbps)	Output Power (dBm)			Limit (dBm)
			Ant3	Ant4	Total	
802.11n-HT20	149	13	9.7	9.6	12.7	28
	157		9.6	9.6	12.6	28
	165		9.4	9.5	12.5	28
802.11n-HT40	151	27	10.0	10.1	13.1	28
	159		9.9	9.8	12.9	28
802.11ac-HT20	149	13	9.8	9.9	12.9	28
	157		9.6	9.6	12.6	28
	165		9.6	9.5	12.6	28
802.11ac-HT40	151	27	10.1	10.0	13.1	28
	159		10.2	10.3	13.3	28
802.11ac-HT80	155	58.6	10.3	10.1	13.2	28

Max EIRP

SISO Mode, Ant3

Mode	Channel	Data Rate (Mbps)	Duty cycle	Output Power (dBm)	Gain (dBi)	E.I.R.P (dBm)	Limit (dBm)
802.11a	149	6	99%	10.5	5.0	15.5	36
	157			10.1	5.0	15.1	36
	165			10.0	5.0	15.0	36
802.11n-HT20	149	6.5	99%	10.8	5.0	15.8	36
	157			10.6	5.0	15.6	36
	165			10.2	5.0	15.2	36
802.11n-HT40	151	13.5	99%	10.2	5.0	15.2	36
	159			9.9	5.0	14.9	36
802.11n-HT20	149	6.5	99%	10.8	5.0	15.8	36
	157			10.5	5.0	15.5	36
	165			10.4	5.0	15.4	36
802.11n-HT40	151	13.5	99%	10.8	5.0	15.8	36
	159			10.7	5.0	15.7	36
802.11ac	155	29.3	99%	10.5	5.0	15.5	36

SISO Mode, Ant4

Mode	Channel	Data Rate (Mbps)	Duty cycle	Output Power (dBm)	Gain (dBi)	E.I.R.P (dBm)	Limit (dBm)
802.11a	149	6	99%	10.2	5.0	15.2	36
	157			10.1	5.0	15.1	36
	165			10.1	5.0	15.1	36
802.11n-HT20	149	6.5	99%	10.1	5.0	15.1	36
	157			10.2	5.0	15.2	36
	165			9.9	5.0	14.9	36
802.11n-HT40	151	13.5	99%	10.8	5.0	15.8	36
	159			10.7	5.0	15.7	36
802.11n-HT20	149	6.5	99%	10.5	5.0	15.5	36
	157			10.5	5.0	15.5	36
	165			10.4	5.0	15.4	36
802.11n-HT40	151	13.5	99%	10.8	5.0	15.8	36
	159			10.7	5.0	15.7	36
802.11ac	155	29.3	99%	10.4	5.0	15.4	36

MIMO Mode, Ant3+Ant4

Mode	Channel	Data Rate (Mbps)	Duty cycle	Output Power (dBm)			Gain (dBi)	E.I.R.P (dBm)	Limit (dBm)
				Ant3	Ant4	Total			
802.11n-HT20	149	13	99%	9.7	9.6	12.7	8.0	20.7	34
	157			9.6	9.6	12.6	8.0	20.6	34
	165			9.4	9.5	12.5	8.0	20.5	34
802.11n-HT40	151	27	99%	10.0	10.1	13.1	8.0	21.1	34
	159			9.9	9.8	12.9	8.0	20.9	34
802.11ac-HT20	149	13	99%	9.8	9.9	12.9	8.0	20.9	34
	157			9.6	9.6	12.6	8.0	20.6	34
	165			9.6	9.5	12.6	8.0	20.6	34
802.11ac-HT40	151	27	99%	10.1	10.0	13.1	8.0	21.1	34
	159			10.2	10.3	13.3	8.0	21.3	34
802.11ac-HT80	155	58.6	99%	10.3	10.1	13.2	8.0	21.2	34

#### 4. Power Spectrum Density test (FCC 15.407)

##### 4.1 Operating environment

Temperature: 25 °C  
 Relative Humidity: 50 %  
 Atmospheric Pressure: 1023 hPa

##### 4.2 Test setup & procedure

###### Method of Measurement:

The power spectrum density per FCC §15.407(a) was measured from the antenna port of the EUT using a 50 ohm spectrum analyzer with the resolution bandwidth set at 1MHz/500KHz, the video bandwidth set at 3 MHz/2MHz (measurement method refer to KDB 789033 D02). Power spectrum density was read directly and cable loss (0.5 dB) reading to obtain power at the EUT antenna terminals.

For MIMO system 2Tx the antenna ports is checked, the worst case power density is calculated from the method of Measure by adding  $10\text{Log}(2)/10\text{Log}(3)$  according KDB662911.

##### 4.3 Limit

Operating Frequency (MHz)	Max Conducted Power Spectral Density
5150~5250	* <sub>1</sub> 17dBm/MHz for master device
	11dBm/MHz for mobile/portable client device
5725~5850	* <sub>1</sub> 30dBm/500KHz for master device

Remark: \*<sub>1</sub> The device declare as Master device.

- 1).Tx Power Reduction (dBm-by-dBi) required when antenna exceeds 6dBi.
- 2). 5.2/5.8G band Ant3/1/2: 5dBi
- 3). In MIMO (2Tx), Ant3+Ant4 Directional gain = GANT + 10 log(N) dBi = 5 + 10 log(2) = 8.0dBi so for the band 5150~5250MHz the Power Spectral Density limit will reduce to 15.0dBm/MHz and for the band 5725~5850MHz the power Spectral Density limit will reduce to 28.0dBm/MHz.

#### 4.4 Measured data of Power Spectrum Density test results

##### 5150 MHz ~ 5250 MHz

SISO Mode, Ant3

Mode	Channel	Data Rate (Mbps)	PSD (dBm/MHz)	Limit (dBm/MHz)
802.11a	36	6	5.91	17
	40		5.32	17
	48		5.92	17
802.11n-HT20	36	6.5	5.65	17
	40		5.70	17
	48		6.02	17
802.11n-HT40	38	13.5	3.16	17
	46		3.55	17
802.11ac-HT20	36	6.5	5.36	17
	40		5.76	17
	48		5.62	17
802.11ac-HT40	38	13.5	3.57	17
	46		3.50	17
802.11ac-HT80	42	29.3	1.35	17

SISO Mode, Ant4

Mode	Channel	Data Rate (Mbps)	PSD (dBm/MHz)	Limit (dBm/MHz)
802.11a	36	6	5.99	17
	40		5.44	17
	48		5.71	17
802.11n-HT20	36	6.5	5.33	17
	40		5.46	17
	48		5.95	17
802.11n-HT40	38	13.5	3.24	17
	46		3.33	17
802.11ac-HT20	36	6.5	5.20	17
	40		5.62	17
	48		5.25	17
802.11ac-HT40	38	13.5	3.75	17



	46		3.38	17
802.11ac-HT80	42	29.3	1.06	17

MIMO Mode, Ant3+Ant4

Mode	Channel	Data Rate (Mbps)	PSD (dBm/MHz)			Limit (dBm/MHz)
			Ant3	Ant4	Total	
802.11n-HT20	36	13	4.70	4.69	7.71	15
	40		4.53	4.83	7.84	15
	48		4.58	4.29	7.59	15
802.11n-HT40	38	27	1.30	1.62	4.63	15
	46		1.65	1.41	4.66	15
802.11n-HT20	36	13	4.71	4.78	7.79	15
	40		4.81	4.50	7.82	15
	48		4.18	4.29	7.30	15
802.11n-HT40	38	27	1.51	1.62	4.63	15
	46		1.48	1.65	4.66	15
802.11ac	42	58.6	-0.39	-0.48	2.62	15

**5725 MHz ~ 5850 MHz**

SISO Mode, Ant3

Mode	Channel	Data Rate (Mbps)	PSD (dBm/500KHz)	Limit (dBm/500KHz)
802.11a	149	6	3.86	30
	157		3.71	30
	165		3.21	30
802.11n-HT20	149	6.5	3.20	30
	157		3.57	30
	165		2.29	30
802.11n-HT40	151	13.5	0.10	30
	159		-0.15	30
802.11ac-HT20	149	6.5	3.16	30
	157		3.16	30
	165		3.44	30
802.11ac-HT40	151	13.5	-0.05	30
	159		0.05	30

802.11ac-HT80	155	29.3	-2.27	30
---------------	-----	------	-------	----

SISO Mode, Ant4

Mode	Channel	Data Rate (Mbps)	PSD (dBm/500KHz)	Limit (dBm/500KHz)
802.11a	149	6	3.69	30
	157		3.79	30
	165		3.05	30
802.11n-HT20	149	6.5	3.06	30
	157		3.15	30
	165		2.62	30
802.11n-HT40	151	13.5	0.07	30
	159		-0.07	30
802.11ac-HT20	149	6.5	3.33	30
	157		3.22	30
	165		3.51	30
802.11ac-HT40	151	13.5	-0.02	30
	159		-0.07	30
802.11ac-HT80	155	29.3	-2.21	30

MIMO Mode, Ant3+Ant4

Mode	Channel	Data Rate (Mbps)	PSD (dBm/500KHz)			Limit (dBm/500KHz)
			Ant3	Ant4	Total	
802.11n-HT20	149	13	1.04	0.85	4.05	28
	157		0.90	0.87	3.91	28
	165		1.12	0.54	4.13	28
802.11n-HT40	151	27	-1.63	-1.55	1.46	28
	159		-1.43	-1.68	1.58	28
802.11ac-HT20	149	13	1.07	1.28	4.29	28
	157		0.75	0.82	3.83	28
	165		0.46	0.54	3.55	28
802.11ac-HT40	151	27	-0.97	-0.82	2.19	28
	159		-1.51	-1.43	1.58	28
802.11ac-HT80	155	58.6	-4.09	-4.22	-1.08	28

Please refer the graph of “PSD.pdf”.

## 5. Minimum 6 dB RF Bandwidth (FCC 15.407)

### 5.1 Operating environment

Temperature: 25 °C  
 Relative Humidity: 50 %  
 Atmospheric Pressure: 1023 hPa

### 5.2 Test setup & procedure

The Minimum 6 dB RF Bandwidth per 789033 D02 was measured from the antenna port of the EUT using a 50 ohm spectrum analyzer with the resolution bandwidth set at 100KHz, and set the video bandwidth (VBW)  $\geq 3 \times$  RBW. For each RF output channel investigated, the spectrum analyzer center frequency was set to the channel carrier. A PEAK output reading was taken, a DISPLAY line was drawn 6 dB lower than PEAK level. The 6dB bandwidth was determined from where the channel output spectrum intersected the display line.

#### For 26dB down Emission Bandwidth

The 26dB down Emission Bandwidth per 789033 D02 was measured from the antenna port of the EUT using a 50 ohm spectrum analyzer with the resolution bandwidth set RBW = approximately 1% of the emission bandwidth. Set the VBW  $>$  RBW, Detector = Peak, Trace mode = max hold (Measure the maximum width of the emission that is 26 dB down from the maximum of the emission. Compare this with the RBW setting of the analyzer. Readjust RBW and repeat measurement as needed until the RBW/EBW ratio is approximately 1%).

#### For 99% Occupied Bandwidth

The 99% Occupied Bandwidth per 789033 D02 was measured from the antenna port of the EUT using a 50 ohm spectrum analyzer with the resolution bandwidth set center frequency to the nominal EUT channel center frequency, set span = 1.5 times to 5.0 times the OBW, set RBW = 1 % to 5 % of the OBW, set VBW  $\geq 3 \times$  RBW, The 99% occupied bandwidth was determined from where the channel output spectrum intersected the display line.

### 5.3 Limit

Operating Frequency (MHz)	Minimum 6 dB RF Bandwidth Limit
5150~5250	N/A
5725~5850	$\geq 500\text{KHz}$

**Note: 99% Occupied Bandwidth within the U-NII-1 band and 26dB Emission Bandwidth for reference.**

### 5.4 Measured data of Minimum 6 dB RF Bandwidth test results

SISO Mode, Ant3

Mode	Channel	Data Rate (Mbps)	Result
802.11a	149	6	Pass
	157		Pass
	165		Pass
802.11n-HT20	149	6.5	Pass
	157		Pass
	165		Pass
802.11n-HT40	151	13.5	Pass
	159		Pass
802.11ac-HT20	149	6.5	Pass
	157		Pass
	165		Pass
802.11ac-HT40	151	13.5	Pass
	159		Pass
802.11ac-HT80	155	29.3	Pass

SISO Mode, Ant4

Mode	Channel	Data Rate (Mbps)	Result
802.11a	149	6	Pass
	157		Pass
	165		Pass
802.11n-HT20	149	6.5	Pass
	157		Pass
	165		Pass
802.11n-HT40	151	13.5	Pass
	159		Pass
802.11ac-HT20	149	6.5	Pass
	157		Pass
	165		Pass
802.11ac-HT40	151	13.5	Pass

	159		Pass
802.11ac-HT80	155	29.3	Pass

MIMO Mode, Ant3+Ant4

Mode	Channel	Data Rate (Mbps)	Result
802.11n-HT20	149	13	Pass
	157		Pass
	165		Pass
802.11n-HT40	151	27	Pass
	159		Pass
802.11ac-HT20	149	13	Pass
	157		Pass
	165		Pass
802.11ac-HT40	151	27	Pass
	159		Pass
802.11ac-HT80	155	58.6	Pass

Please refer the graph of “6 dB Bandwidth.pdf”.

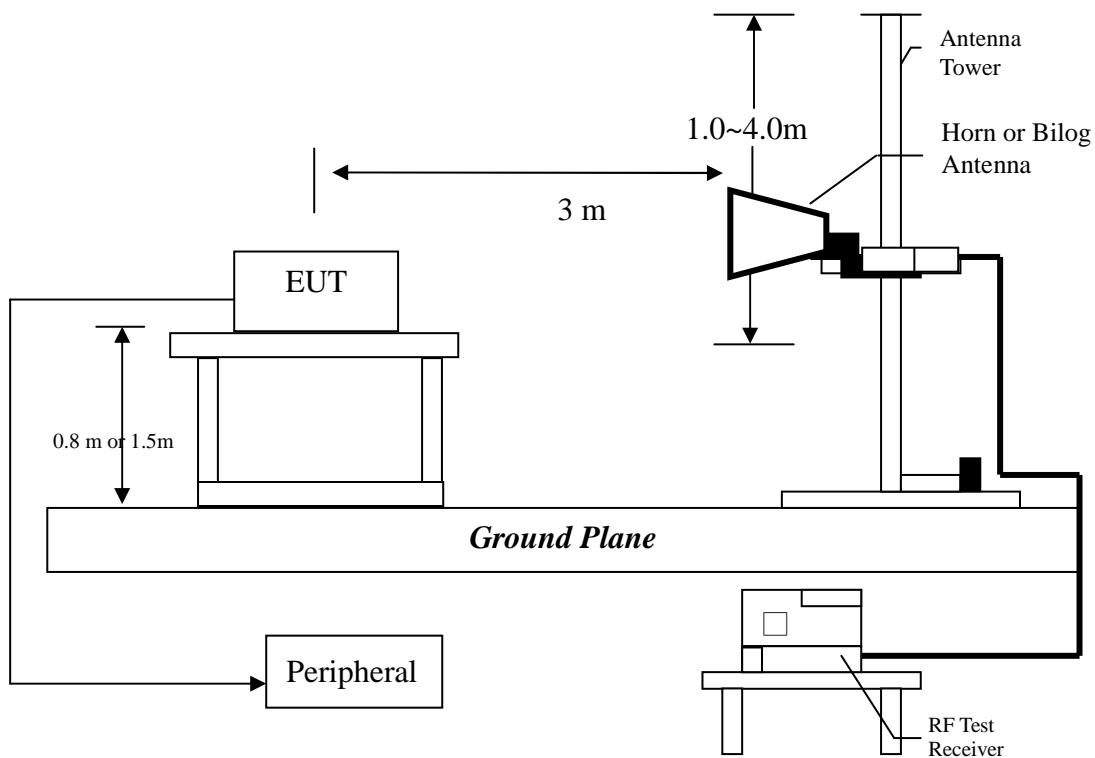
**6. Radiated Emission test (FCC 15.205 & 15.209 & 15.407)**

**6.1 Operating environment**

Temperature: 23 °C  
 Relative Humidity: 58 %  
 Atmospheric Pressure 1023 hPa

**6.2 Test setup & procedure**

The Diagram below shows the test setup, which is utilized to make these measurements.



Radiated emission measurements were performed from 9KHz to tenth harmonic or 40GHz. The EUT for testing is arranged on a styrene turntable with the height of 0.8m up to 1GHz and 1.5m above 1GHz. If some peripherals apply to the EUT, the peripherals will be connected to EUT and the whole system. During the test, all cables were arranged to produce worst-case emissions. The signal is maximized through rotation. The height of antenna and polarization is changing constantly for exploring for maximum signal level. The height of antenna can be up to 4 meters and down to 1 meter.

The measurement for radiated emission will be done at the distance of three meters unless the signal level is too low to measure at that distance. In the case of the reading under noise floor, a pre-amplifier is used and/or the test is conducted at a closer distance. And then all readings are extrapolated back to the equivalent three meter reading using inverse scaling with distance.

Testing settings (refer to KDB 789033 D02)

Peak Measurements below 1GHz

- 1, Analyzer center frequency was set to the frequency of the radiated spurious emission.
- 2, Span=encompass the entire emission
- 3, RBW=120KHz
- 4, Detector=Quasi-Peak
- 5, Trace was allowed to stabilize

Peak Measurements above 1GHz

- 1, Analyzer center frequency was set to the frequency of the radiated spurious emission.
- 2, Span=encompass the entire emission
- 3, RBW=1MHz
- 4, VBW=3MHz
- 4, Detector= Peak (Max-hold)
- 5, Trace was allowed to stabilize

Average Measurements above 1GHz

- 1, Analyzer center frequency was set to the frequency of the radiated spurious emission.
- 2, Span=encompass the entire emission
- 3, RBW=1MHz
- 4, VBW=3MHz
- 4, Detector= RMS (Max-hold)
- 5, Trace was allowed to stabilize

### 6.3 Limit

The spurious Emission shall test through the 10th harmonic or 40GHz (whichever is lower). In addition, radiated emissions which fall in the restricted bands, as defined in §15.205(a), must also comply with the radiated emission limits specified in §15.209(a).

#### Notes:

- 1, All emission out-side of the 5.15-5.35GHz & 5.47-5.725GHz band shall not exceed an EIRP of -27dBm/MHz (68.2dBuV/m, test distance: 3 meter), for band 5.725-5.85GHz shall not exceed an  $\leq$ -17dBm/MHz (78.2dBuV/m, test distance: 3 meter) within 5715-5725MHz and 5850-5860MHz,  $\leq$ -27dBm/MHz (68.2dBuV/m, test distance: 3 meter) outside 5715-5860MHz.
- 2, The spectrum is measured from 9KHz to the 10<sup>th</sup> harmonic of the fundamental frequency of the transmitter using QP detector below 1GHz, above 1GHz, average & peak measurements were taken using for test. The worst-case emission are reported however emission whose levels were not within 20dB of the respective limited were not reported.
- 3, The test was performed on EUT under 802.11a/n-HT20/40/ac-HT20/40/80 continuously transmitting mode. Simultaneous transmitting was considered during the testing.



## Field Strength Calculation

The field strength is calculated by adding the reading on the Spectrum Analyzer to the factors associated with preamplifiers (if any), antennas, cables, pulse desensitization and average factors (when specified limit is in average and measurements are made with peak detectors). A sample calculation is included below.

$$FS = RA + AF + CF - AG + PD$$

Where FS = Field Strength in dB $\mu$ V/m  
RA = Receiver Amplitude (including preamplifier) in dB $\mu$ V  
CF = Cable Attenuation Factor in dB  
AF = Antenna Factor in dB  
AG = Amplifier Gain in dB  
PD = Pulse Desensitization in dB

In the radiated emission table which follows, the reading shown on the data table may reflect the preamplifier gain. An example of the calculations, where the reading does not reflect the preamplifier gain, follows:

$$FS = RA + AF + CF - AG + PD$$

### Example

Assume a receiver reading of 62.0 dB $\mu$ V is obtained. The antenna factor of 7.4 dB and cable factor of 1.6 dB is added. The amplifier gain of 29 dB is subtracted. The pulse desensitization factor of the spectrum analyzer was 0 dB. The net field strength for comparison to the appropriate emission limit is 32 dB $\mu$ V/m. This value in dB $\mu$ V/m was converted to its corresponding level in  $\mu$ V/m.

$$\begin{aligned} RA &= 62.0 \text{ dB}\mu\text{V} \\ AF &= 7.4 \text{ dB} \\ CF &= 1.6 \text{ dB} \\ AG &= 29.0 \text{ dB} \\ PD &= 0 \text{ dB} \\ FS &= 62 + 7.4 + 1.6 - 29 + 0 = 42 \text{ dB}\mu\text{V/m} \end{aligned}$$

$$\text{Level in mV/m} = \text{Common Antilogarithm} [(42 \text{ dB}\mu\text{V/m})/20] = 125.9 \mu\text{V/m}$$

## 6.4 Radiated spurious emission test data

### 6.4.1 Measurement results: frequencies equal to or less than 1 GHz

The worst case occurred at 802.11n-HT40, MIMO, 2Tx, Channel 38/27Mbps

Polarization	Frequency (MHz)	Reading (dB $\mu$ V)	Pre-Amp Gain (dB)	Antenna Factor (dB)	Net at 3m (dB $\mu$ V/m)	Limit at 3m (dB $\mu$ V/m)	Margin (dB)
Horizontal	31.225	25.6	20.0	18.1	23.7	40.0	-16.3
Horizontal	145.328	32.9	20.0	11.4	24.3	43.5	-19.2
Horizontal	954.260	27.0	20.0	29.5	36.5	46.0	-9.5
Vertical	42.640	32.7	20.0	13.4	26.1	40.0	-13.9
Vertical	61.529	37.1	20.0	8.7	25.8	40.0	-14.2
Vertical	890.510	30.2	20.0	28.2	38.4	46.0	-7.6

### 6.4.2 Measurement results: frequency above 1GHz

Test Condition : 802.11a, SISO, Ant3, Channel 36/6Mbps

Polarization	Frequency (MHz)	Reading (dBμV)	Pre-Amp Gain (dB)	Antenna Factor (dB)	Net at 3m (dBμV/m)	Peak Limit at 3m (dBμV/m)	Margin (dB)
Horizontal	10360.000	56.0	36.3	38.9	58.6	68.2	-9.6
Horizontal	15540.000	52.6	34.7	41.0	58.9	68.2	-9.3
Horizontal	5149.300	58.8	36.1	35.5	58.2	68.2	-10.0

Polarization	Frequency (MHz)	Reading (dBμV)	Pre-Amp Gain (dB)	Antenna Factor (dB)	Net at 3m (dBμV/m)	Peak Limit at 3m (dBμV/m)	Margin (dB)
Horizontal	*15540	40.4	34.7	41.0	46.7	54.0	-7.3
Horizontal	*5149.3	47.0	36.1	35.5	46.4	54.0	-7.6

Test Condition : 802.11a, SISO, Ant3, Channel 40/6Mbps

Polarization	Frequency (MHz)	Reading (dBμV)	Pre-Amp Gain (dB)	Antenna Factor (dB)	Net at 3m (dBμV/m)	Peak Limit at 3m (dBμV/m)	Margin (dB)
Horizontal	10400.000	56.7	36.3	38.9	59.3	68.2	-8.9
Horizontal	15600.000	53.5	34.7	41.0	59.8	68.2	-8.4

Polarization	Frequency (MHz)	Reading (dBμV)	Pre-Amp Gain (dB)	Antenna Factor (dB)	Net at 3m (dBμV/m)	Peak Limit at 3m (dBμV/m)	Margin (dB)
Horizontal	*15600	39.8	34.7	41.0	46.1	54.0	-7.9

Test Condition : 802.11a, SISO, Ant3, Channel 48/6Mbps

Polarization	Frequency (MHz)	Reading (dBμV)	Pre-Amp Gain (dB)	Antenna Factor (dB)	Net at 3m (dBμV/m)	Peak Limit at 3m (dBμV/m)	Margin (dB)
Horizontal	10480.000	60.1	36.3	38.9	62.7	68.2	-5.5
Horizontal	15720.000	51.8	34.7	41.0	58.1	68.2	-10.1
Horizontal	5351.780	58.6	35.9	36.4	59.1	68.2	-9.1

Polarization	Frequency (MHz)	Reading (dB $\mu$ V)	Pre-Amp Gain (dB)	Antenna Factor (dB)	Net at 3m (dB $\mu$ V/m)	Peak Limit at 3m (dB $\mu$ V/m)	Margin (dB)
Horizontal	*15720.000	38.5	34.7	41.0	44.8	54.0	-9.2
Horizontal	*5351.780	45.7	35.9	36.4	46.2	54.0	-7.8

Test Condition : 802.11a, SISO, Ant4, Channel 36/6Mbps

Polarization	Frequency (MHz)	Reading (dB $\mu$ V)	Pre-Amp Gain (dB)	Antenna Factor (dB)	Net at 3m (dB $\mu$ V/m)	Peak Limit at 3m (dB $\mu$ V/m)	Margin (dB)
Horizontal	10360.000	56.4	36.3	38.9	59.0	68.2	-9.2
Horizontal	15540.000	52.6	34.7	41.0	58.9	68.2	-9.3
Horizontal	5149.145	59.7	36.1	35.5	59.1	68.2	-9.1

Polarization	Frequency (MHz)	Reading (dB $\mu$ V)	Pre-Amp Gain (dB)	Antenna Factor (dB)	Net at 3m (dB $\mu$ V/m)	Peak Limit at 3m (dB $\mu$ V/m)	Margin (dB)
Horizontal	*15540	40.4	34.7	41.0	46.7	54.0	-7.3
Horizontal	*5149.145	49.1	36.1	35.5	48.5	54.0	-5.5

Test Condition : 802.11a, SISO, Ant4, Channel 40/6Mbps

Polarization	Frequency (MHz)	Reading (dB $\mu$ V)	Pre-Amp Gain (dB)	Antenna Factor (dB)	Net at 3m (dB $\mu$ V/m)	Peak Limit at 3m (dB $\mu$ V/m)	Margin (dB)
Horizontal	10400.000	59.0	36.3	38.9	61.6	68.2	-6.6
Horizontal	15600.000	53.5	34.7	41.0	59.8	68.2	-8.4

Polarization	Frequency (MHz)	Reading (dB $\mu$ V)	Pre-Amp Gain (dB)	Antenna Factor (dB)	Net at 3m (dB $\mu$ V/m)	Peak Limit at 3m (dB $\mu$ V/m)	Margin (dB)
Horizontal	15600.000	40.6	34.7	41.0	46.9	54.0	-7.1

Test Condition : 802.11a, SISO, Ant4, Channel 48/6Mbps

Polarization	Frequency (MHz)	Reading (dB $\mu$ V)	Pre-Amp Gain (dB)	Antenna Factor (dB)	Net at 3m (dB $\mu$ V/m)	Peak Limit at 3m (dB $\mu$ V/m)	Margin (dB)
Horizontal	10480.000	60.5	36.3	38.9	63.1	68.2	-5.1
Horizontal	15720.000	52.4	34.7	41.0	58.7	68.2	-9.5
Horizontal	5351.730	59.4	35.9	36.4	59.9	68.2	-8.3

Polarization	Frequency (MHz)	Reading (dBμV)	Pre-Amp Gain (dB)	Antenna Factor (dB)	Net at 3m (dBμV/m)	Peak Limit at 3m (dBμV/m)	Margin (dB)
Horizontal	*15720	37.9	34.7	41.0	44.2	54.0	-9.8
Horizontal	*5351.73	46.2	35.9	36.4	46.7	54.0	-7.3

Test Condition : 802.11n-HT20, SISO, Ant3, Channel 36/6.5Mbps

Polarization	Frequency (MHz)	Reading (dBμV)	Pre-Amp Gain (dB)	Antenna Factor (dB)	Net at 3m (dBμV/m)	Peak Limit at 3m (dBμV/m)	Margin (dB)
Horizontal	10360.000	57.0	36.3	38.9	59.6	68.2	-8.6
Horizontal	15540.000	50.5	34.7	41.0	56.8	68.2	-11.4
Horizontal	5148.569	58.9	36.1	35.5	58.3	68.2	-9.9

Polarization	Frequency (MHz)	Reading (dBμV)	Pre-Amp Gain (dB)	Antenna Factor (dB)	Net at 3m (dBμV/m)	Peak Limit at 3m (dBμV/m)	Margin (dB)
Horizontal	*15540	40.5	34.7	41.0	46.8	54.0	-7.2
Horizontal	*5148.569	46.7	36.1	35.5	46.1	54.0	-7.9

Test Condition : 802.11n-HT20, SISO, Ant3, Channel 40/6.5Mbps

Polarization	Frequency (MHz)	Reading (dBμV)	Pre-Amp Gain (dB)	Antenna Factor (dB)	Net at 3m (dBμV/m)	Peak Limit at 3m (dBμV/m)	Margin (dB)
Horizontal	10400.000	57.9	36.3	38.9	60.5	68.2	-7.7
Horizontal	15600.000	55.3	34.7	41.0	61.6	68.2	-6.6

Polarization	Frequency (MHz)	Reading (dBμV)	Pre-Amp Gain (dB)	Antenna Factor (dB)	Net at 3m (dBμV/m)	Peak Limit at 3m (dBμV/m)	Margin (dB)
Horizontal	*15600	41.2	34.7	41.0	47.5	54.0	-6.5

Test Condition : 802.11n-HT20, SISO, Ant3, Channel 48/6.5Mbps

Polarization	Frequency (MHz)	Reading (dBμV)	Pre-Amp Gain (dB)	Antenna Factor (dB)	Net at 3m (dBμV/m)	Peak Limit at 3m (dBμV/m)	Margin (dB)
Horizontal	10480.000	57.6	36.3	38.9	60.2	68.2	-8.0
Horizontal	15720.000	57.2	34.7	41.0	63.5	68.2	-4.7
Horizontal	5351.594	57.9	35.9	36.4	58.4	68.2	-9.8

Polarization	Frequency (MHz)	Reading (dB $\mu$ V)	Pre-Amp Gain (dB)	Antenna Factor (dB)	Net at 3m (dB $\mu$ V/m)	Peak Limit at 3m (dB $\mu$ V/m)	Margin (dB)
Horizontal	*15720	40.0	34.7	41.0	46.3	54.0	-7.7
Horizontal	*5351.594	48.2	35.9	36.4	48.7	54.0	-5.3

Test Condition : 802.11n-HT20, SISO, Ant4, Channel 36/6.5Mbps

Polarization	Frequency (MHz)	Reading (dB $\mu$ V)	Pre-Amp Gain (dB)	Antenna Factor (dB)	Net at 3m (dB $\mu$ V/m)	Peak Limit at 3m (dB $\mu$ V/m)	Margin (dB)
Horizontal	10360.000	57.9	36.3	38.9	60.5	68.2	-7.7
Horizontal	15540.000	53.5	34.7	41.0	59.8	68.2	-8.4
Horizontal	5148.549	59.0	36.1	35.5	58.4	68.2	-9.8

Polarization	Frequency (MHz)	Reading (dB $\mu$ V)	Pre-Amp Gain (dB)	Antenna Factor (dB)	Net at 3m (dB $\mu$ V/m)	Peak Limit at 3m (dB $\mu$ V/m)	Margin (dB)
Horizontal	*15540	39.8	34.7	41.0	46.1	54.0	-7.9
Horizontal	*5148.549	47.8	36.1	35.5	47.2	54.0	-6.8

Test Condition : 802.11n-HT20, SISO, Ant4, Channel 40/6.5Mbps

Polarization	Frequency (MHz)	Reading (dB $\mu$ V)	Pre-Amp Gain (dB)	Antenna Factor (dB)	Net at 3m (dB $\mu$ V/m)	Peak Limit at 3m (dB $\mu$ V/m)	Margin (dB)
Horizontal	10400.000	56.8	36.3	38.9	59.4	68.2	-8.8
Horizontal	15600.000	54.0	34.7	41.0	60.3	68.2	-7.9

Polarization	Frequency (MHz)	Reading (dB $\mu$ V)	Pre-Amp Gain (dB)	Antenna Factor (dB)	Net at 3m (dB $\mu$ V/m)	Peak Limit at 3m (dB $\mu$ V/m)	Margin (dB)
Horizontal	*15600	39.8	34.7	41.0	46.1	54.0	-7.9

Test Condition : 802.11n-HT20, SISO, Ant4, Channel 48/6.5Mbps

Polarization	Frequency (MHz)	Reading (dB $\mu$ V)	Pre-Amp Gain (dB)	Antenna Factor (dB)	Net at 3m (dB $\mu$ V/m)	Peak Limit at 3m (dB $\mu$ V/m)	Margin (dB)
Horizontal	10480.000	59.0	36.3	38.9	61.6	68.2	-6.6
Horizontal	15720.000	55.1	34.7	41.0	61.4	68.2	-6.8
Horizontal	5351.600	58.7	35.9	36.4	59.2	68.2	-9.0

Polarization	Frequency (MHz)	Reading (dBμV)	Pre-Amp Gain (dB)	Antenna Factor (dB)	Net at 3m (dBμV/m)	Peak Limit at 3m (dBμV/m)	Margin (dB)
Horizontal	*15720	40.5	34.7	41.0	46.8	54.0	-7.2
Horizontal	*5351.6	47.8	35.9	36.4	48.3	54.0	-5.7

Test Condition : 802.11n-HT20, MIMO, Ant3+4, Channel 36/13Mbps

Polarization	Frequency (MHz)	Reading (dBμV)	Pre-Amp Gain (dB)	Antenna Factor (dB)	Net at 3m (dBμV/m)	Peak Limit at 3m (dBμV/m)	Margin (dB)
Horizontal	10360.000	57.0	36.3	38.9	59.6	68.2	-8.6
Horizontal	15540.000	53.8	34.7	41.0	60.1	68.2	-8.1
Horizontal	5149.470	59.9	36.1	35.5	59.3	68.2	-8.9

Polarization	Frequency (MHz)	Reading (dBμV)	Pre-Amp Gain (dB)	Antenna Factor (dB)	Net at 3m (dBμV/m)	Peak Limit at 3m (dBμV/m)	Margin (dB)
Horizontal	*15540	41.0	34.7	41.0	47.3	54.0	-6.7
Horizontal	*5149.47	47.5	36.1	35.5	46.9	54.0	-7.1

Test Condition : 802.11n-HT20, MIMO, Ant3+4, Channel 40/13Mbps

Polarization	Frequency (MHz)	Reading (dBμV)	Pre-Amp Gain (dB)	Antenna Factor (dB)	Net at 3m (dBμV/m)	Peak Limit at 3m (dBμV/m)	Margin (dB)
Horizontal	10400.000	58.1	36.3	38.9	60.7	68.2	-7.5
Horizontal	15600.000	53.2	34.7	41.0	59.5	68.2	-8.7

Polarization	Frequency (MHz)	Reading (dBμV)	Pre-Amp Gain (dB)	Antenna Factor (dB)	Net at 3m (dBμV/m)	Peak Limit at 3m (dBμV/m)	Margin (dB)
Horizontal	*15600	40.6	34.7	41.0	46.9	54.0	-7.1

Test Condition : 802.11n-HT20, MIMO, Ant3+4, Channel 48/13Mbps

Polarization	Frequency (MHz)	Reading (dBμV)	Pre-Amp Gain (dB)	Antenna Factor (dB)	Net at 3m (dBμV/m)	Peak Limit at 3m (dBμV/m)	Margin (dB)
Horizontal	10480.000	58.6	36.3	38.9	61.2	68.2	-7.0
Horizontal	15720.000	54.6	34.7	41.0	60.9	68.2	-7.3
Horizontal	5351.562	58.9	35.9	36.4	59.4	68.2	-8.8

Polarization	Frequency (MHz)	Reading (dB $\mu$ V)	Pre-Amp Gain (dB)	Antenna Factor (dB)	Net at 3m (dB $\mu$ V/m)	Peak Limit at 3m (dB $\mu$ V/m)	Margin (dB)
Horizontal	*15720	40.1	34.7	41.0	46.4	54.0	-7.6
Horizontal	*5351.562	46.4	35.9	36.4	46.9	54.0	-7.1

Test Condition : 802.11n-HT40, SISO, Ant3, Channel 38/13.5Mbps

Polarization	Frequency (MHz)	Reading (dB $\mu$ V)	Pre-Amp Gain (dB)	Antenna Factor (dB)	Net at 3m (dB $\mu$ V/m)	Peak Limit at 3m (dB $\mu$ V/m)	Margin (dB)
Horizontal	10380.000	57.7	36.3	38.9	60.3	68.2	-7.9
Horizontal	15570.000	55.2	34.7	41.0	61.5	68.2	-6.7
Horizontal	5148.850	57.0	36.1	35.5	56.4	68.2	-11.8

Polarization	Frequency (MHz)	Reading (dB $\mu$ V)	Pre-Amp Gain (dB)	Antenna Factor (dB)	Net at 3m (dB $\mu$ V/m)	Peak Limit at 3m (dB $\mu$ V/m)	Margin (dB)
Horizontal	*15570	39.9	34.7	41.0	46.2	54.0	-7.8
Horizontal	*5148.850	47.5	36.1	35.5	46.9	54.0	-7.1

Test Condition : 802.11n-HT40, SISO, Ant3, Channel 46/13.5Mbps

Polarization	Frequency (MHz)	Reading (dB $\mu$ V)	Pre-Amp Gain (dB)	Antenna Factor (dB)	Net at 3m (dB $\mu$ V/m)	Peak Limit at 3m (dB $\mu$ V/m)	Margin (dB)
Horizontal	10460.000	57.6	36.3	38.9	60.2	68.2	-8.0
Horizontal	15690.000	54.2	34.7	41.0	60.5	68.2	-7.7
Horizontal	5352.600	58.6	35.9	36.4	59.1	68.2	-9.1

Polarization	Frequency (MHz)	Reading (dB $\mu$ V)	Pre-Amp Gain (dB)	Antenna Factor (dB)	Net at 3m (dB $\mu$ V/m)	Peak Limit at 3m (dB $\mu$ V/m)	Margin (dB)
Horizontal	*15690	40.5	34.7	41.0	46.8	54.0	-7.2
Horizontal	*5352.6	46.6	35.9	36.4	47.1	54.0	-6.9



Test Condition : 802.11n-HT40, SISO, Ant4, Channel 38/13.5Mbps

Polarization	Frequency (MHz)	Reading (dBμV)	Pre-Amp Gain (dB)	Antenna Factor (dB)	Net at 3m (dBμV/m)	Peak Limit at 3m (dBμV/m)	Margin (dB)
Horizontal	10380.000	57.6	36.3	38.9	60.2	68.2	-8.0
Horizontal	15570.000	55.2	34.7	41.0	61.5	68.2	-6.7
Horizontal	5148.850	60.3	36.1	35.5	59.7	68.2	-8.5

Polarization	Frequency (MHz)	Reading (dBμV)	Pre-Amp Gain (dB)	Antenna Factor (dB)	Net at 3m (dBμV/m)	Peak Limit at 3m (dBμV/m)	Margin (dB)
Horizontal	*15570	40.9	34.7	41.0	47.2	54.0	-6.8
Horizontal	*5148.850	50.2	36.1	35.5	49.6	54.0	-4.4

Test Condition : 802.11n-HT40, SISO, Ant4, Channel 46/13.5Mbps

Polarization	Frequency (MHz)	Reading (dBμV)	Pre-Amp Gain (dB)	Antenna Factor (dB)	Net at 3m (dBμV/m)	Peak Limit at 3m (dBμV/m)	Margin (dB)
Horizontal	10460.000	56.8	36.3	38.9	59.4	68.2	-8.8
Horizontal	15690.000	52.8	34.7	41.0	59.1	68.2	-9.1
Horizontal	5352.800	58.2	35.9	36.4	58.7	68.2	-9.5

Polarization	Frequency (MHz)	Reading (dBμV)	Pre-Amp Gain (dB)	Antenna Factor (dB)	Net at 3m (dBμV/m)	Peak Limit at 3m (dBμV/m)	Margin (dB)
Horizontal	*15690	40.8	34.7	41.0	47.1	54.0	-6.9
Horizontal	*5352.8	44.8	35.9	36.4	45.3	54.0	-8.7

Test Condition : 802.11n-HT40, MIMO, Ant3+4, Channel 38/13.5Mbps

Polarization	Frequency (MHz)	Reading (dBμV)	Pre-Amp Gain (dB)	Antenna Factor (dB)	Net at 3m (dBμV/m)	Peak Limit at 3m (dBμV/m)	Margin (dB)
Horizontal	10380.000	56.8	36.3	38.9	59.4	68.2	-8.8
Horizontal	15570.000	53.0	34.7	41.0	59.3	68.2	-8.9
Horizontal	5148.674	59.5	36.1	35.5	58.9	68.2	-9.3

Polarization	Frequency (MHz)	Reading (dBμV)	Pre-Amp Gain (dB)	Antenna Factor (dB)	Net at 3m (dBμV/m)	Peak Limit at 3m (dBμV/m)	Margin (dB)
Horizontal	*15570	41.2	34.7	41.0	47.5	54.0	-6.5
Horizontal	*5148.674	47.5	36.1	35.5	46.9	54.0	-7.1

Test Condition : 802.11n-HT40, MIMO, Ant3+4, Channel 46/13.5Mbps

Polarization	Frequency (MHz)	Reading (dBμV)	Pre-Amp Gain (dB)	Antenna Factor (dB)	Net at 3m (dBμV/m)	Peak Limit at 3m (dBμV/m)	Margin (dB)
Horizontal	10460.000	57.7	36.3	38.9	60.3	68.2	-7.9
Horizontal	15690.000	52.6	34.7	41.0	58.9	68.2	-9.3
Horizontal	5351.780	57.6	35.9	36.4	58.1	68.2	-10.1

Polarization	Frequency (MHz)	Reading (dBμV)	Pre-Amp Gain (dB)	Antenna Factor (dB)	Net at 3m (dBμV/m)	Peak Limit at 3m (dBμV/m)	Margin (dB)
Horizontal	*15690	40.6	34.7	41.0	46.9	54.0	-7.1
Horizontal	*5351.78	45.3	35.9	36.4	45.8	54.0	-8.2

Test Condition : 802.11ac-HT20, SISO, Ant3, Channel 36/6.5Mbps

Polarization	Frequency (MHz)	Reading (dBμV)	Pre-Amp Gain (dB)	Antenna Factor (dB)	Net at 3m (dBμV/m)	Peak Limit at 3m (dBμV/m)	Margin (dB)
Horizontal	10360.000	55.3	36.3	38.9	57.9	68.2	-10.3
Horizontal	15540.000	51.9	34.7	41.0	58.2	68.2	-10.0
Horizontal	5148.550	58.7	36.1	35.5	58.1	68.2	-10.1

Polarization	Frequency (MHz)	Reading (dBμV)	Pre-Amp Gain (dB)	Antenna Factor (dB)	Net at 3m (dBμV/m)	Peak Limit at 3m (dBμV/m)	Margin (dB)
Horizontal	*15540	40.6	34.7	41.0	46.9	54.0	-7.1
Horizontal	*5148.550	47.7	36.1	35.5	47.1	54.0	-6.9

Test Condition : 802.11ac-HT20, SISO, Ant3, Channel 40/6.5Mbps

Polarization	Frequency (MHz)	Reading (dBμV)	Pre-Amp Gain (dB)	Antenna Factor (dB)	Net at 3m (dBμV/m)	Peak Limit at 3m (dBμV/m)	Margin (dB)
Horizontal	10400.000	55.3	36.3	38.9	57.9	68.2	-10.3
Horizontal	15600.000	51.9	34.7	41.0	58.2	68.2	-10.0

Polarization	Frequency (MHz)	Reading (dBμV)	Pre-Amp Gain (dB)	Antenna Factor (dB)	Net at 3m (dBμV/m)	Peak Limit at 3m (dBμV/m)	Margin (dB)
Horizontal	*15600	40.9	34.7	41.0	47.2	54.0	-6.8

Test Condition : 802.11ac-HT20, SISO, Ant3, Channel 48/6.5Mbps

Polarization	Frequency (MHz)	Reading (dBμV)	Pre-Amp Gain (dB)	Antenna Factor (dB)	Net at 3m (dBμV/m)	Peak Limit at 3m (dBμV/m)	Margin (dB)
Horizontal	10480.000	55.7	36.3	38.9	58.3	68.2	-9.9
Horizontal	15720.000	53.2	34.7	41.0	59.5	68.2	-8.7
Horizontal	5351.598	58.4	35.9	36.4	58.9	68.2	-9.3

Polarization	Frequency (MHz)	Reading (dBμV)	Pre-Amp Gain (dB)	Antenna Factor (dB)	Net at 3m (dBμV/m)	Average Limit at 3m (dBμV/m)	Margin (dB)
Horizontal	*15720	40.0	34.7	41.0	46.3	54.0	-7.7
Horizontal	*5351.98	46.2	35.9	36.4	46.7	54.0	-7.3

Test Condition : 802.11ac-HT20, SISO, Ant4, Channel 36/6.5Mbps

Polarization	Frequency (MHz)	Reading (dBμV)	Pre-Amp Gain (dB)	Antenna Factor (dB)	Net at 3m (dBμV/m)	Peak Limit at 3m (dBμV/m)	Margin (dB)
Horizontal	10360.000	54.7	36.3	38.9	57.3	68.2	-10.9
Horizontal	15540.000	52.0	34.7	41.0	58.3	68.2	-9.9
Horizontal	5148.590	59.3	36.1	35.5	58.7	68.2	-9.5

Polarization	Frequency (MHz)	Reading (dBμV)	Pre-Amp Gain (dB)	Antenna Factor (dB)	Net at 3m (dBμV/m)	Average Limit at 3m (dBμV/m)	Margin (dB)
Horizontal	*15540	40.8	34.7	41.0	47.1	54.0	-6.9
Horizontal	*5148.59	48.9	36.1	35.5	48.3	54.0	-5.7

Test Condition : 802.11ac-HT20, SISO, Ant4, Channel 40/6.5Mbps

Polarization	Frequency (MHz)	Reading (dBμV)	Pre-Amp Gain (dB)	Antenna Factor (dB)	Net at 3m (dBμV/m)	Peak Limit at 3m (dBμV/m)	Margin (dB)
Horizontal	10400.000	56.3	36.3	38.9	58.9	68.2	-9.3
Horizontal	15600.000	53.5	34.7	41.0	59.8	68.2	-8.4

Polarization	Frequency (MHz)	Reading (dBμV)	Pre-Amp Gain (dB)	Antenna Factor (dB)	Net at 3m (dBμV/m)	Average Limit at 3m (dBμV/m)	Margin (dB)
Horizontal	*15600	40.9	34.7	41.0	47.2	54.0	-6.8

Test Condition : 802.11ac-HT20, SISO, Ant4, Channel 48/6.5Mbps

Polarization	Frequency (MHz)	Reading (dBμV)	Pre-Amp Gain (dB)	Antenna Factor (dB)	Net at 3m (dBμV/m)	Peak Limit at 3m (dBμV/m)	Margin (dB)
Horizontal	10480.000	57.2	36.3	38.9	59.8	68.2	-8.4
Horizontal	15720.000	53.1	34.7	41.0	59.4	68.2	-8.8
Horizontal	5351.595	59.1	35.9	36.4	59.6	68.2	-8.6

Polarization	Frequency (MHz)	Reading (dBμV)	Pre-Amp Gain (dB)	Antenna Factor (dB)	Net at 3m (dBμV/m)	Average Limit at 3m (dBμV/m)	Margin (dB)
Horizontal	*15720	40.2	34.7	41.0	46.5	54.0	-7.5
Horizontal	*5351.595	46.4	35.9	36.4	46.9	54.0	-7.1

Test Condition : 802.11ac-HT20, MIMO, Ant3+4, Channel 36/13Mbps

Polarization	Frequency (MHz)	Reading (dBμV)	Pre-Amp Gain (dB)	Antenna Factor (dB)	Net at 3m (dBμV/m)	Peak Limit at 3m (dBμV/m)	Margin (dB)
Horizontal	10360.000	57.1	36.3	38.9	59.7	68.2	-8.5
Horizontal	15540.000	54.0	34.7	41.0	60.3	68.2	-7.9
Horizontal	5149.700	60.2	36.1	35.5	59.6	68.2	-8.6

Polarization	Frequency (MHz)	Reading (dBμV)	Pre-Amp Gain (dB)	Antenna Factor (dB)	Net at 3m (dBμV/m)	Average Limit at 3m (dBμV/m)	Margin (dB)
Horizontal	*15540	41.1	34.7	41.0	47.4	54.0	-6.6
Horizontal	*5149.7	49.5	36.1	35.5	48.9	54.0	-5.1

Test Condition : 802.11ac-HT20, MIMO, Ant3+4, Channel 40/13Mbps

Polarization	Frequency (MHz)	Reading (dBμV)	Pre-Amp Gain (dB)	Antenna Factor (dB)	Net at 3m (dBμV/m)	Peak Limit at 3m (dBμV/m)	Margin (dB)
Horizontal	10400.000	57.7	36.3	38.9	60.3	68.2	-7.9
Horizontal	15600.000	53.8	34.7	41.0	60.1	68.2	-8.1

Polarization	Frequency (MHz)	Reading (dBμV)	Pre-Amp Gain (dB)	Antenna Factor (dB)	Net at 3m (dBμV/m)	Average Limit at 3m (dBμV/m)	Margin (dB)
Horizontal	*15600	42.7	34.7	41.0	49.0	54.0	-5.0

Test Condition : 802.11ac-HT20, MIMO, Ant3+4, Channel 48/13Mbps

Polarization	Frequency (MHz)	Reading (dBμV)	Pre-Amp Gain (dB)	Antenna Factor (dB)	Net at 3m (dBμV/m)	Peak Limit at 3m (dBμV/m)	Margin (dB)
Horizontal	10480.000	57.2	36.3	38.9	59.8	68.2	-8.4
Horizontal	15720.000	54.0	34.7	41.0	60.3	68.2	-7.9
Horizontal	5351.600	58.4	35.9	36.4	58.9	68.2	-9.3

Polarization	Frequency (MHz)	Reading (dBμV)	Pre-Amp Gain (dB)	Antenna Factor (dB)	Net at 3m (dBμV/m)	Average Limit at 3m (dBμV/m)	Margin (dB)
Horizontal	*15720	40.6	34.7	41.0	46.9	54.0	-7.1
Horizontal	*5351.6	46.8	35.9	36.4	47.3	54.0	-6.7

Test Condition : 802.11ac-HT40, SISO, Ant3, Channel 38/13.5Mbps

Polarization	Frequency (MHz)	Reading (dBμV)	Pre-Amp Gain (dB)	Antenna Factor (dB)	Net at 3m (dBμV/m)	Peak Limit at 3m (dBμV/m)	Margin (dB)
Horizontal	10380.000	58.3	36.3	38.9	60.9	68.2	-7.3
Horizontal	15570.000	55.1	34.7	41.0	61.4	68.2	-6.8
Horizontal	5148.980	58.9	36.1	35.5	58.3	68.2	-9.9

Polarization	Frequency (MHz)	Reading (dBμV)	Pre-Amp Gain (dB)	Antenna Factor (dB)	Net at 3m (dBμV/m)	Average Limit at 3m (dBμV/m)	Margin (dB)
Horizontal	*15570	41.3	34.7	41.0	47.6	54.0	-6.4
Horizontal	*5148.98	48.0	36.1	35.5	47.4	54.0	-6.6

Test Condition : 802.11ac-HT40, SISO, Ant3, Channel 46/13.5Mbps

Polarization	Frequency (MHz)	Reading (dBμV)	Pre-Amp Gain (dB)	Antenna Factor (dB)	Net at 3m (dBμV/m)	Peak Limit at 3m (dBμV/m)	Margin (dB)
Horizontal	10460.000	57.1	36.3	38.9	59.7	68.2	-8.5
Horizontal	15690.000	52.6	34.7	41.0	58.9	68.2	-9.3
Horizontal	5352.670	57.8	35.9	36.4	58.3	68.2	-9.9

Polarization	Frequency (MHz)	Reading (dBμV)	Pre-Amp Gain (dB)	Antenna Factor (dB)	Net at 3m (dBμV/m)	Average Limit at 3m (dBμV/m)	Margin (dB)
Horizontal	*15690	40.8	34.7	41.0	47.1	54.0	-6.9
Horizontal	*5352.67	47.8	35.9	36.4	48.3	54.0	-5.7

Test Condition : 802.11ac-HT40, SISO, Ant4, Channel 38/13.5Mbps

Polarization	Frequency (MHz)	Reading (dBμV)	Pre-Amp Gain (dB)	Antenna Factor (dB)	Net at 3m (dBμV/m)	Peak Limit at 3m (dBμV/m)	Margin (dB)
Horizontal	10380.000	57.2	36.3	38.9	59.8	68.2	-8.4
Horizontal	15570.000	53.3	34.7	41.0	59.6	68.2	-8.6
Horizontal	5148.890	59.5	36.1	35.5	58.9	68.2	-9.3

Polarization	Frequency (MHz)	Reading (dBμV)	Pre-Amp Gain (dB)	Antenna Factor (dB)	Net at 3m (dBμV/m)	Average Limit at 3m (dBμV/m)	Margin (dB)
Horizontal	*15570	40.9	34.7	41.0	47.2	54.0	-6.8
Horizontal	*5148.890	48.4	36.1	35.5	47.8	54.0	-6.2

Test Condition : 802.11ac-HT40, SISO, Ant4, Channel 46/13.5Mbps

Polarization	Frequency (MHz)	Reading (dBμV)	Pre-Amp Gain (dB)	Antenna Factor (dB)	Net at 3m (dBμV/m)	Peak Limit at 3m (dBμV/m)	Margin (dB)
Horizontal	10460.000	54.6	36.3	38.9	57.2	68.2	-11.0
Horizontal	15690.000	51.7	34.7	41.0	58.0	68.2	-10.2
Horizontal	5352.489	58.0	35.9	36.4	58.5	68.2	-9.7

Polarization	Frequency (MHz)	Reading (dBμV)	Pre-Amp Gain (dB)	Antenna Factor (dB)	Net at 3m (dBμV/m)	Average Limit at 3m (dBμV/m)	Margin (dB)
Horizontal	*15690	39.7	34.7	41.0	46.0	54.0	-8.0
Horizontal	*5352.489	46.7	35.9	36.4	47.2	54.0	-6.8

Test Condition : 802.11ac-HT40, MIMO, Ant3+4, Channel 38/13.5Mbps

Polarization	Frequency (MHz)	Reading (dBμV)	Pre-Amp Gain (dB)	Antenna Factor (dB)	Net at 3m (dBμV/m)	Peak Limit at 3m (dBμV/m)	Margin (dB)
Horizontal	10380.000	54.4	36.3	38.9	57.0	68.2	-11.2
Horizontal	15570.000	51.9	34.7	41.0	58.2	68.2	-10.0
Horizontal	5148.890	58.5	36.1	35.5	57.9	68.2	-10.3

Polarization	Frequency (MHz)	Reading (dBμV)	Pre-Amp Gain (dB)	Antenna Factor (dB)	Net at 3m (dBμV/m)	Average Limit at 3m (dBμV/m)	Margin (dB)
Horizontal	*15570	40.2	34.7	41.0	46.5	54.0	-7.5
Horizontal	*5148.890	47.5	36.1	35.5	46.9	54.0	-7.1

Test Condition : 802.11ac-HT40, MIMO, Ant3+4, Channel 46/13.5Mbps

Polarization	Frequency (MHz)	Reading (dBμV)	Pre-Amp Gain (dB)	Antenna Factor (dB)	Net at 3m (dBμV/m)	Peak Limit at 3m (dBμV/m)	Margin (dB)
Horizontal	10460.000	57.8	36.3	38.9	60.4	68.2	-7.8
Horizontal	15690.000	55.0	34.7	41.0	61.3	68.2	-6.9
Horizontal	5352.700	58.4	35.9	36.4	58.9	68.2	-9.3

Polarization	Frequency (MHz)	Reading (dBμV)	Pre-Amp Gain (dB)	Antenna Factor (dB)	Net at 3m (dBμV/m)	Average Limit at 3m (dBμV/m)	Margin (dB)
Horizontal	*15690	40.8	34.7	41.0	47.1	54.0	-6.9
Horizontal	*5352.7	47.0	35.9	36.4	47.5	54.0	-6.5

Test Condition : 802.11ac, SISO, Ant3, Channel 42/29.3Mbps

Polarization	Frequency (MHz)	Reading (dBμV)	Pre-Amp Gain (dB)	Antenna Factor (dB)	Net at 3m (dBμV/m)	Peak Limit at 3m (dBμV/m)	Margin (dB)
Horizontal	10420.000	55.8	36.3	38.9	58.4	68.2	-9.8
Horizontal	15630.000	52.8	34.7	41.0	59.1	68.2	-9.1
Horizontal	5148.450	57.8	35.9	36.4	58.3	68.2	-9.9
Horizontal	5351.465	57.7	35.9	36.4	58.2	68.2	-10.0

Polarization	Frequency (MHz)	Reading (dBμV)	Pre-Amp Gain (dB)	Antenna Factor (dB)	Net at 3m (dBμV/m)	Average Limit at 3m (dBμV/m)	Margin (dB)
Horizontal	*15630	40.1	34.7	41.0	46.4	54.0	-7.6
Horizontal	*5148.450	47.4	35.9	36.4	47.9	54.0	-6.1
Horizontal	*5351.465	46.3	35.9	36.4	46.8	54.0	-7.2

Test Condition : 802.11ac, SISO, Ant4, Channel 42/29.3Mbps

Polarization	Frequency (MHz)	Reading (dBμV)	Pre-Amp Gain (dB)	Antenna Factor (dB)	Net at 3m (dBμV/m)	Peak Limit at 3m (dBμV/m)	Margin (dB)
Horizontal	10420.000	56.3	36.3	38.9	58.9	68.2	-9.3
Horizontal	15630.000	53.4	34.7	41.0	59.7	68.2	-8.5
Horizontal	5148.573	58.2	35.9	36.4	58.7	68.2	-9.5
Horizontal	5352.500	57.7	35.9	36.4	58.2	68.2	-10.0

Polarization	Frequency (MHz)	Reading (dB $\mu$ V)	Pre-Amp Gain (dB)	Antenna Factor (dB)	Net at 3m (dB $\mu$ V/m)	Average Limit at 3m (dB $\mu$ V/m)	Margin (dB)
Horizontal	*15630	41.6	34.7	41.0	47.9	54.0	-6.1
Horizontal	*5148.573	47.1	35.9	36.4	47.6	54.0	-6.4
Horizontal	*5352.500	46.8	35.9	36.4	47.3	54.0	-6.7

Test Condition : 802.11ac, MIMO, Ant3+4, Channel 42/58.6Mbps

Polarization	Frequency (MHz)	Reading (dB $\mu$ V)	Pre-Amp Gain (dB)	Antenna Factor (dB)	Net at 3m (dB $\mu$ V/m)	Peak Limit at 3m (dB $\mu$ V/m)	Margin (dB)
Horizontal	10420.000	55.7	36.3	38.9	58.3	68.2	-9.9
Horizontal	15630.000	53.5	34.7	41.0	59.8	68.2	-8.4
Horizontal	5148.561	57.4	35.9	36.4	57.9	68.2	-10.3
Horizontal	5352.586	56.9	35.9	36.4	57.4	68.2	-10.8

Polarization	Frequency (MHz)	Reading (dB $\mu$ V)	Pre-Amp Gain (dB)	Antenna Factor (dB)	Net at 3m (dB $\mu$ V/m)	Average Limit at 3m (dB $\mu$ V/m)	Margin (dB)
Horizontal	*15630	40.8	34.7	41.0	47.1	54.0	-6.9
Horizontal	*5148.561	46.9	35.9	36.4	47.4	54.0	-6.6
Horizontal	*5352.586	46.4	35.9	36.4	46.9	54.0	-7.1

Test Condition : 802.11a, SISO, Ant3, Channel 149/6Mbps

Polarization	Frequency (MHz)	Reading (dB $\mu$ V)	Pre-Amp Gain (dB)	Antenna Factor (dB)	Net at 3m (dB $\mu$ V/m)	Peak Limit at 3m (dB $\mu$ V/m)	Margin (dB)
Horizontal	11490.000	54.5	35.3	41.2	60.4	68.2	-7.8
Horizontal	17235.000	55.6	33.9	39.2	60.9	68.2	-7.3
Horizontal	5716.399	69.2	36.7	27.2	59.7	78.2	-18.5

Polarization	Frequency (MHz)	Reading (dB $\mu$ V)	Pre-Amp Gain (dB)	Antenna Factor (dB)	Net at 3m (dB $\mu$ V/m)	Average Limit at 3m (dB $\mu$ V/m)	Margin (dB)
Horizontal	*11490	41.6	35.3	41.2	47.5	54.0	-6.5

Test Condition : 802.11a, SISO, Ant3, Channel 157/6Mbps

Polarization	Frequency (MHz)	Reading (dB $\mu$ V)	Pre-Amp Gain (dB)	Antenna Factor (dB)	Net at 3m (dB $\mu$ V/m)	Peak Limit at 3m (dB $\mu$ V/m)	Margin (dB)
Horizontal	11570.000	53.0	35.3	41.2	58.9	68.2	-9.3
Horizontal	17355.000	54.1	33.9	39.2	59.4	68.2	-8.8



Polarization	Frequency (MHz)	Reading (dBμV)	Pre-Amp Gain (dB)	Antenna Factor (dB)	Net at 3m (dBμV/m)	Average Limit at 3m (dBμV/m)	Margin (dB)
Horizontal	*11570	43.3	35.3	41.2	49.2	54.0	-4.8

Test Condition : 802.11a, SISO, Ant3, Channel 165/6Mbps

Polarization	Frequency (MHz)	Reading (dBμV)	Pre-Amp Gain (dB)	Antenna Factor (dB)	Net at 3m (dBμV/m)	Peak Limit at 3m (dBμV/m)	Margin (dB)
Horizontal	11650.000	53.6	35.3	41.2	59.5	68.2	-8.7
Horizontal	17475.000	55.0	33.9	39.2	60.3	68.2	-7.9
Horizontal	5856.399	68.1	36.7	27.7	59.1	78.2	-19.1

Polarization	Frequency (MHz)	Reading (dBμV)	Pre-Amp Gain (dB)	Antenna Factor (dB)	Net at 3m (dBμV/m)	Average Limit at 3m (dBμV/m)	Margin (dB)
Horizontal	*11650	41.5	35.3	41.2	47.4	54.0	-6.6

Test Condition : 802.11a, SISO, Ant4, Channel 149/6Mbps

Polarization	Frequency (MHz)	Reading (dBμV)	Pre-Amp Gain (dB)	Antenna Factor (dB)	Net at 3m (dBμV/m)	Peak Limit at 3m (dBμV/m)	Margin (dB)
Horizontal	11490.000	52.6	35.3	41.2	58.5	68.2	-9.7
Horizontal	17235.000	54.1	33.9	39.2	59.4	68.2	-8.8
Horizontal	5716.399	69.3	36.7	27.2	59.8	78.2	-18.4

Polarization	Frequency (MHz)	Reading (dBμV)	Pre-Amp Gain (dB)	Antenna Factor (dB)	Net at 3m (dBμV/m)	Average Limit at 3m (dBμV/m)	Margin (dB)
Horizontal	*11490	42.0	35.3	41.2	47.9	54.0	-6.1

Test Condition : 802.11a, SISO, Ant4, Channel 157/6Mbps

Polarization	Frequency (MHz)	Reading (dBμV)	Pre-Amp Gain (dB)	Antenna Factor (dB)	Net at 3m (dBμV/m)	Peak Limit at 3m (dBμV/m)	Margin (dB)
Horizontal	11570.000	53.9	35.3	41.2	59.8	68.2	-8.4
Horizontal	17355.000	55.0	33.9	39.2	60.3	68.2	-7.9

Polarization	Frequency (MHz)	Reading (dBμV)	Pre-Amp Gain (dB)	Antenna Factor (dB)	Net at 3m (dBμV/m)	Average Limit at 3m (dBμV/m)	Margin (dB)
Horizontal	*11570	43.0	35.3	41.2	48.9	54.0	-5.1

Test Condition : 802.11a, SISO, Ant4, Channel 165/6Mbps

Polarization	Frequency (MHz)	Reading (dBμV)	Pre-Amp Gain (dB)	Antenna Factor (dB)	Net at 3m (dBμV/m)	Peak Limit at 3m (dBμV/m)	Margin (dB)
Horizontal	11650.000	53.6	35.3	41.2	59.5	68.2	-8.7
Horizontal	17475.000	55.0	33.9	39.2	60.3	68.2	-7.9
Horizontal	5856.399	67.9	36.7	27.7	58.9	78.2	-19.3

Polarization	Frequency (MHz)	Reading (dBμV)	Pre-Amp Gain (dB)	Antenna Factor (dB)	Net at 3m (dBμV/m)	Average Limit at 3m (dBμV/m)	Margin (dB)
Horizontal	*11650	42.2	35.3	41.2	48.1	54.0	-5.9

Test Condition : 802.11n-HT20, SISO, Ant3, Channel 149/6.5Mbps

Polarization	Frequency (MHz)	Reading (dBμV)	Pre-Amp Gain (dB)	Antenna Factor (dB)	Net at 3m (dBμV/m)	Peak Limit at 3m (dBμV/m)	Margin (dB)
Horizontal	11490.000	54.4	35.3	41.2	60.3	68.2	-7.9
Horizontal	17235.000	56.1	33.9	39.2	61.4	68.2	-6.8
Horizontal	5718.024	70.8	36.7	27.2	61.3	78.2	-16.9

Polarization	Frequency (MHz)	Reading (dBμV)	Pre-Amp Gain (dB)	Antenna Factor (dB)	Net at 3m (dBμV/m)	Average Limit at 3m (dBμV/m)	Margin (dB)
Horizontal	*11490	41.8	35.3	41.2	47.7	54.0	-6.3

Test Condition : 802.11n-HT20, SISO, Ant3, Channel 157/6.5Mbps

Polarization	Frequency (MHz)	Reading (dBμV)	Pre-Amp Gain (dB)	Antenna Factor (dB)	Net at 3m (dBμV/m)	Peak Limit at 3m (dBμV/m)	Margin (dB)
Horizontal	11570.000	53.5	35.3	41.2	59.4	68.2	-8.8
Horizontal	17355.000	55.0	33.9	39.2	60.3	68.2	-7.9

Polarization	Frequency (MHz)	Reading (dBμV)	Pre-Amp Gain (dB)	Antenna Factor (dB)	Net at 3m (dBμV/m)	Average Limit at 3m (dBμV/m)	Margin (dB)
Horizontal	*11570	42.0	35.3	41.2	47.9	54.0	-6.1

Test Condition : 802.11n-HT20, SISO, Ant3, Channel 165/6.5Mbps

Polarization	Frequency (MHz)	Reading (dBμV)	Pre-Amp Gain (dB)	Antenna Factor (dB)	Net at 3m (dBμV/m)	Peak Limit at 3m (dBμV/m)	Margin (dB)
Horizontal	11650.000	55.4	35.3	41.2	61.3	68.2	-6.9
Horizontal	17475.000	55.1	33.9	39.2	60.4	68.2	-7.8
Horizontal	5855.892	68.5	36.7	27.7	59.5	78.2	-18.7

Polarization	Frequency (MHz)	Reading (dBμV)	Pre-Amp Gain (dB)	Antenna Factor (dB)	Net at 3m (dBμV/m)	Average Limit at 3m (dBμV/m)	Margin (dB)
Horizontal	*11650	42.6	35.3	41.2	48.5	54.0	-5.5

Test Condition : 802.11n-HT20, SISO, Ant4, Channel 149/6.5Mbps

Polarization	Frequency (MHz)	Reading (dBμV)	Pre-Amp Gain (dB)	Antenna Factor (dB)	Net at 3m (dBμV/m)	Peak Limit at 3m (dBμV/m)	Margin (dB)
Horizontal	11490.000	53.4	35.3	41.2	59.3	68.2	-8.9
Horizontal	17235.000	55.7	33.9	39.2	61.0	68.2	-7.2
Horizontal	5718.125	70.1	36.7	27.2	60.6	78.2	-17.6

Polarization	Frequency (MHz)	Reading (dBμV)	Pre-Amp Gain (dB)	Antenna Factor (dB)	Net at 3m (dBμV/m)	Average Limit at 3m (dBμV/m)	Margin (dB)
Horizontal	*11490	41.6	35.3	41.2	47.5	54.0	-6.5

Test Condition : 802.11n-HT20, SISO, Ant4, Channel 157/6.5Mbps

Polarization	Frequency (MHz)	Reading (dBμV)	Pre-Amp Gain (dB)	Antenna Factor (dB)	Net at 3m (dBμV/m)	Peak Limit at 3m (dBμV/m)	Margin (dB)
Horizontal	11570.000	53.9	35.3	41.2	59.8	68.2	-8.4
Horizontal	17355.000	54.0	33.9	39.2	59.3	68.2	-8.9

Polarization	Frequency (MHz)	Reading (dBμV)	Pre-Amp Gain (dB)	Antenna Factor (dB)	Net at 3m (dBμV/m)	Average Limit at 3m (dBμV/m)	Margin (dB)
Horizontal	*11570	42.3	35.3	41.2	48.2	54.0	-5.8

Test Condition : 802.11n-HT20, SISO, Ant4, Channel 165/6.5Mbps

Polarization	Frequency (MHz)	Reading (dBμV)	Pre-Amp Gain (dB)	Antenna Factor (dB)	Net at 3m (dBμV/m)	Peak Limit at 3m (dBμV/m)	Margin (dB)
Horizontal	11650.000	53.4	35.3	41.2	59.3	68.2	-8.9
Horizontal	17475.000	54.9	33.9	39.2	60.2	68.2	-8.0
Horizontal	5855.400	71.8	36.7	27.7	62.8	78.2	-15.4

Polarization	Frequency (MHz)	Reading (dBμV)	Pre-Amp Gain (dB)	Antenna Factor (dB)	Net at 3m (dBμV/m)	Average Limit at 3m (dBμV/m)	Margin (dB)
Horizontal	*11650	42.6	35.3	41.2	48.5	54.0	-5.5

Test Condition : 802.11n-HT20, MIMO, Ant3+4, Channel 149/13Mbps

Polarization	Frequency (MHz)	Reading (dBμV)	Pre-Amp Gain (dB)	Antenna Factor (dB)	Net at 3m (dBμV/m)	Peak Limit at 3m (dBμV/m)	Margin (dB)
Horizontal	11490.000	54.5	35.3	41.2	60.4	68.2	-7.8
Horizontal	17235.000	56.1	33.9	39.2	61.4	68.2	-6.8
Horizontal	5717.168	70.4	36.7	27.2	60.9	78.2	-17.3

Polarization	Frequency (MHz)	Reading (dBμV)	Pre-Amp Gain (dB)	Antenna Factor (dB)	Net at 3m (dBμV/m)	Average Limit at 3m (dBμV/m)	Margin (dB)
Horizontal	*11490	42.7	35.3	41.2	48.6	54.0	-5.4

Test Condition : 802.11n-HT20, MIMO, Ant3+4, Channel 157/13Mbps

Polarization	Frequency (MHz)	Reading (dBμV)	Pre-Amp Gain (dB)	Antenna Factor (dB)	Net at 3m (dBμV/m)	Peak Limit at 3m (dBμV/m)	Margin (dB)
Horizontal	11570.000	53.0	35.3	41.2	58.9	68.2	-9.3
Horizontal	17355.000	54.1	33.9	39.2	59.4	68.2	-8.8

Polarization	Frequency (MHz)	Reading (dBμV)	Pre-Amp Gain (dB)	Antenna Factor (dB)	Net at 3m (dBμV/m)	Average Limit at 3m (dBμV/m)	Margin (dB)
Horizontal	*11570	42.0	35.3	41.2	47.9	54.0	-6.1

Test Condition : 802.11n-HT20, MIMO, Ant3+4, Channel 165/13Mbps

Polarization	Frequency (MHz)	Reading (dBμV)	Pre-Amp Gain (dB)	Antenna Factor (dB)	Net at 3m (dBμV/m)	Peak Limit at 3m (dBμV/m)	Margin (dB)
Horizontal	11650.000	55.3	35.3	41.2	61.2	68.2	-7.0
Horizontal	17475.000	55.0	33.9	39.2	60.3	68.2	-7.9
Horizontal	5853.530	68.6	36.7	27.7	59.6	78.2	-18.6

Polarization	Frequency (MHz)	Reading (dBμV)	Pre-Amp Gain (dB)	Antenna Factor (dB)	Net at 3m (dBμV/m)	Average Limit at 3m (dBμV/m)	Margin (dB)
Horizontal	*11650	43.6	35.3	41.2	49.5	54.0	-4.5

Test Condition : 802.11n-HT40, SISO, Ant3, Channel 151/13.5Mbps

Polarization	Frequency (MHz)	Reading (dBμV)	Pre-Amp Gain (dB)	Antenna Factor (dB)	Net at 3m (dBμV/m)	Peak Limit at 3m (dBμV/m)	Margin (dB)
Horizontal	11510.000	54.3	35.3	41.2	60.2	68.2	-8.0
Horizontal	17265.000	55.4	33.9	39.2	60.7	68.2	-7.5
Horizontal	5719.004	70.0	36.8	26.5	59.7	78.2	-18.5

Polarization	Frequency (MHz)	Reading (dBμV)	Pre-Amp Gain (dB)	Antenna Factor (dB)	Net at 3m (dBμV/m)	Average Limit at 3m (dBμV/m)	Margin (dB)
Horizontal	*11510	43.4	35.3	41.2	49.3	54.0	-4.7

Test Condition : 802.11n-HT40, SISO, Ant3, Channel 159/13.5Mbps

Polarization	Frequency (MHz)	Reading (dBμV)	Pre-Amp Gain (dB)	Antenna Factor (dB)	Net at 3m (dBμV/m)	Peak Limit at 3m (dBμV/m)	Margin (dB)
Horizontal	11590.000	53.8	35.3	41.2	59.7	68.2	-8.5
Horizontal	17385.000	55.2	33.9	39.2	60.5	68.2	-7.7
Horizontal	5855.890	72.2	36.7	27.7	63.2	78.2	-15.0

Polarization	Frequency (MHz)	Reading (dBμV)	Pre-Amp Gain (dB)	Antenna Factor (dB)	Net at 3m (dBμV/m)	Average Limit at 3m (dBμV/m)	Margin (dB)
Horizontal	*11590	43.5	35.3	41.2	49.4	54.0	-4.6

Test Condition : 802.11n-HT40, SISO, Ant4, Channel 151/13.5Mbps

Polarization	Frequency (MHz)	Reading (dBμV)	Pre-Amp Gain (dB)	Antenna Factor (dB)	Net at 3m (dBμV/m)	Peak Limit at 3m (dBμV/m)	Margin (dB)
Horizontal	*11510	53.4	35.3	41.2	59.3	68.2	-8.9
Horizontal	*17265	55.0	33.9	39.2	60.3	68.2	-7.9
Horizontal	*5719.031	73.3	36.8	26.5	63.0	78.2	-15.2

Polarization	Frequency (MHz)	Reading (dBμV)	Pre-Amp Gain (dB)	Antenna Factor (dB)	Net at 3m (dBμV/m)	Average Limit at 3m (dBμV/m)	Margin (dB)
Horizontal	*11510	42.4	35.3	41.2	48.3	54.0	-5.7

Test Condition : 802.11n-HT40, SISO, Ant4, Channel 159/13.5Mbps

Polarization	Frequency (MHz)	Reading (dBμV)	Pre-Amp Gain (dB)	Antenna Factor (dB)	Net at 3m (dBμV/m)	Peak Limit at 3m (dBμV/m)	Margin (dB)
Horizontal	*11590	53.8	35.3	41.2	59.7	68.2	-8.5
Horizontal	*17385	55.9	33.9	39.2	61.2	68.2	-7.0
Horizontal	*5855.34	72.9	36.7	27.7	63.9	78.2	-14.3

Polarization	Frequency (MHz)	Reading (dBμV)	Pre-Amp Gain (dB)	Antenna Factor (dB)	Net at 3m (dBμV/m)	Average Limit at 3m (dBμV/m)	Margin (dB)
Horizontal	*11590	43.0	35.3	41.2	48.9	54.0	-5.1

Test Condition : 802.11n-HT40, MIMO, Ant3+4, Channel 151/13.5Mbps

Polarization	Frequency (MHz)	Reading (dBμV)	Pre-Amp Gain (dB)	Antenna Factor (dB)	Net at 3m (dBμV/m)	Peak Limit at 3m (dBμV/m)	Margin (dB)
Horizontal	11510.000	53.4	35.3	41.2	59.3	68.2	-8.9
Horizontal	17265.000	56.1	33.9	39.2	61.4	68.2	-6.8
Horizontal	5722.425	74.1	36.8	26.5	63.8	78.2	-14.4

Polarization	Frequency (MHz)	Reading (dBμV)	Pre-Amp Gain (dB)	Antenna Factor (dB)	Net at 3m (dBμV/m)	Average Limit at 3m (dBμV/m)	Margin (dB)
Horizontal	*11510	41.6	35.3	41.2	47.5	54.0	-6.5

Test Condition : 802.11n-HT40, MIMO, Ant3+4, Channel 159/13.5Mbps

Polarization	Frequency (MHz)	Reading (dBµV)	Pre-Amp Gain (dB)	Antenna Factor (dB)	Net at 3m (dBµV/m)	Peak Limit at 3m (dBµV/m)	Margin (dB)
Horizontal	11590.000	53.5	35.3	41.2	59.4	68.2	-8.8
Horizontal	17385.000	56.7	33.9	39.2	62.0	68.2	-6.2
Horizontal	5852.221	72.1	36.7	27.7	63.1	78.2	-15.1

Polarization	Frequency (MHz)	Reading (dBµV)	Pre-Amp Gain (dB)	Antenna Factor (dB)	Net at 3m (dBµV/m)	Average Limit at 3m (dBµV/m)	Margin (dB)
Horizontal	*11590	42.6	35.3	41.2	48.5	54.0	-5.5

Test Condition : 802.11ac-HT20, SISO, Ant3, Channel 149/6.5Mbps

Polarization	Frequency (MHz)	Reading (dBµV)	Pre-Amp Gain (dB)	Antenna Factor (dB)	Net at 3m (dBµV/m)	Peak Limit at 3m (dBµV/m)	Margin (dB)
Horizontal	11490.000	53.6	35.3	41.2	59.5	68.2	-8.7
Horizontal	17235.000	55.9	33.9	39.2	61.2	68.2	-7.0
Horizontal	5718.140	71.5	36.7	27.2	62.0	78.2	-16.2

Polarization	Frequency (MHz)	Reading (dBµV)	Pre-Amp Gain (dB)	Antenna Factor (dB)	Net at 3m (dBµV/m)	Average Limit at 3m (dBµV/m)	Margin (dB)
Horizontal	*11490	42.1	35.3	41.2	48.0	54.0	-6.0

Test Condition : 802.11ac-HT20, SISO, Ant3, Channel 157/6.5Mbps

Polarization	Frequency (MHz)	Reading (dBµV)	Pre-Amp Gain (dB)	Antenna Factor (dB)	Net at 3m (dBµV/m)	Peak Limit at 3m (dBµV/m)	Margin (dB)
Horizontal	11570.000	53.9	35.3	41.2	59.8	68.2	-8.4
Horizontal	17355.000	54.9	33.9	39.2	60.2	68.2	-8.0

Polarization	Frequency (MHz)	Reading (dBµV)	Pre-Amp Gain (dB)	Antenna Factor (dB)	Net at 3m (dBµV/m)	Average Limit at 3m (dBµV/m)	Margin (dB)
Horizontal	*11570	43.0	35.3	41.2	48.9	54.0	-5.1

Test Condition : 802.11ac-HT20, SISO, Ant3, Channel 165/6.5Mbps

Polarization	Frequency (MHz)	Reading (dBμV)	Pre-Amp Gain (dB)	Antenna Factor (dB)	Net at 3m (dBμV/m)	Peak Limit at 3m (dBμV/m)	Margin (dB)
Horizontal	11650.000	53.5	35.3	41.2	59.4	68.2	-8.8
Horizontal	17475.000	54.8	33.9	39.2	60.1	68.2	-8.1
Horizontal	5855.916	72.0	36.7	27.7	63.0	78.2	-15.2

Polarization	Frequency (MHz)	Reading (dBμV)	Pre-Amp Gain (dB)	Antenna Factor (dB)	Net at 3m (dBμV/m)	Average Limit at 3m (dBμV/m)	Margin (dB)
Horizontal	*11650	42.4	35.3	41.2	48.3	54.0	-5.7

Test Condition : 802.11ac-HT20, SISO, Ant4, Channel 149/6.5Mbps

Polarization	Frequency (MHz)	Reading (dBμV)	Pre-Amp Gain (dB)	Antenna Factor (dB)	Net at 3m (dBμV/m)	Peak Limit at 3m (dBμV/m)	Margin (dB)
Horizontal	11490.000	53.9	35.3	41.2	59.8	68.2	-8.4
Horizontal	17235.000	55.7	33.9	39.2	61.0	68.2	-7.2
Horizontal	5718.004	71.5	36.7	27.2	62.0	78.2	-16.2

Polarization	Frequency (MHz)	Reading (dBμV)	Pre-Amp Gain (dB)	Antenna Factor (dB)	Net at 3m (dBμV/m)	Average Limit at 3m (dBμV/m)	Margin (dB)
Horizontal	*11490	42.4	35.3	41.2	48.3	54.0	-5.7

Test Condition : 802.11ac-HT20, SISO, Ant4, Channel 157/6.5Mbps

Polarization	Frequency (MHz)	Reading (dBμV)	Pre-Amp Gain (dB)	Antenna Factor (dB)	Net at 3m (dBμV/m)	Peak Limit at 3m (dBμV/m)	Margin (dB)
Horizontal	11570.000	53.0	35.3	41.2	58.9	68.2	-9.3
Horizontal	17355.000	55.1	33.9	39.2	60.4	68.2	-7.8

Polarization	Frequency (MHz)	Reading (dBμV)	Pre-Amp Gain (dB)	Antenna Factor (dB)	Net at 3m (dBμV/m)	Average Limit at 3m (dBμV/m)	Margin (dB)
Horizontal	*11570	43.4	35.3	41.2	49.3	54.0	-4.7



Test Condition : 802.11ac-HT20, SISO, Ant4, Channel 165/6.5Mbps

Polarization	Frequency (MHz)	Reading (dBμV)	Pre-Amp Gain (dB)	Antenna Factor (dB)	Net at 3m (dBμV/m)	Peak Limit at 3m (dBμV/m)	Margin (dB)
Horizontal	11650.000	54.2	35.3	41.2	60.1	68.2	-8.1
Horizontal	17475.000	56.7	33.9	39.2	62.0	68.2	-6.2
Horizontal	5855.970	72.8	36.7	27.7	63.8	78.2	-14.4

Polarization	Frequency (MHz)	Reading (dBμV)	Pre-Amp Gain (dB)	Antenna Factor (dB)	Net at 3m (dBμV/m)	Average Limit at 3m (dBμV/m)	Margin (dB)
Horizontal	*11650	43.3	35.3	41.2	49.2	54.0	-4.8

Test Condition : 802.11ac-HT20, MIMO, Ant3+4, Channel 149/13Mbps

Polarization	Frequency (MHz)	Reading (dBμV)	Pre-Amp Gain (dB)	Antenna Factor (dB)	Net at 3m (dBμV/m)	Peak Limit at 3m (dBμV/m)	Margin (dB)
Horizontal	11490.000	53.4	35.3	41.2	59.3	68.2	-8.9
Horizontal	17235.000	55.2	33.9	39.2	60.5	68.2	-7.7
Horizontal	5717.125	72.1	36.7	27.2	62.6	78.2	-15.6

Polarization	Frequency (MHz)	Reading (dBμV)	Pre-Amp Gain (dB)	Antenna Factor (dB)	Net at 3m (dBμV/m)	Average Limit at 3m (dBμV/m)	Margin (dB)
Horizontal	*11490	42.8	35.3	41.2	48.7	54.0	-5.3

Test Condition : 802.11ac-HT20, MIMO, Ant3+4, Channel 157/13Mbps

Polarization	Frequency (MHz)	Reading (dBμV)	Pre-Amp Gain (dB)	Antenna Factor (dB)	Net at 3m (dBμV/m)	Peak Limit at 3m (dBμV/m)	Margin (dB)
Horizontal	11570.000	53.9	35.3	41.2	59.8	68.2	-8.4
Horizontal	17355.000	55.0	33.9	39.2	60.3	68.2	-7.9

Polarization	Frequency (MHz)	Reading (dBμV)	Pre-Amp Gain (dB)	Antenna Factor (dB)	Net at 3m (dBμV/m)	Average Limit at 3m (dBμV/m)	Margin (dB)
Horizontal	*11570	42.4	35.3	41.2	48.3	54.0	-5.7

Test Condition : 802.11ac-HT20, MIMO, Ant3+4, Channel 165/13Mbps

Polarization	Frequency (MHz)	Reading (dBμV)	Pre-Amp Gain (dB)	Antenna Factor (dB)	Net at 3m (dBμV/m)	Peak Limit at 3m (dBμV/m)	Margin (dB)
Horizontal	11650.000	53.0	35.3	41.2	58.9	68.2	-9.3
Horizontal	17475.000	55.0	33.9	39.2	60.3	68.2	-7.9
Horizontal	5853.880	67.1	36.7	27.7	58.1	78.2	-20.1

Polarization	Frequency (MHz)	Reading (dBμV)	Pre-Amp Gain (dB)	Antenna Factor (dB)	Net at 3m (dBμV/m)	Average Limit at 3m (dBμV/m)	Margin (dB)
Horizontal	*11650	42.0	35.3	41.2	47.9	54.0	-6.1

Test Condition : 802.11ac-HT40, SISO, Ant3, Channel 151/13.5Mbps

Polarization	Frequency (MHz)	Reading (dBμV)	Pre-Amp Gain (dB)	Antenna Factor (dB)	Net at 3m (dBμV/m)	Peak Limit at 3m (dBμV/m)	Margin (dB)
Horizontal	11510.000	53.5	35.3	41.2	59.4	68.2	-8.8
Horizontal	17265.000	54.9	33.9	39.2	60.2	68.2	-8.0
Horizontal	5719.142	71.3	36.8	26.5	61.0	78.2	-17.2

Polarization	Frequency (MHz)	Reading (dBμV)	Pre-Amp Gain (dB)	Antenna Factor (dB)	Net at 3m (dBμV/m)	Average Limit at 3m (dBμV/m)	Margin (dB)
Horizontal	*11510	43.6	35.3	41.2	49.5	54.0	-4.5

Test Condition : 802.11ac-HT40, SISO, Ant3, Channel 159/13.5Mbps

Polarization	Frequency (MHz)	Reading (dBμV)	Pre-Amp Gain (dB)	Antenna Factor (dB)	Net at 3m (dBμV/m)	Peak Limit at 3m (dBμV/m)	Margin (dB)
Horizontal	11590.000	53.9	35.3	41.2	59.8	68.2	-8.4
Horizontal	17385.000	54.9	33.9	39.2	60.2	68.2	-8.0
Horizontal	5855.860	72.0	36.7	27.7	63.0	78.2	-15.2

Polarization	Frequency (MHz)	Reading (dBμV)	Pre-Amp Gain (dB)	Antenna Factor (dB)	Net at 3m (dBμV/m)	Average Limit at 3m (dBμV/m)	Margin (dB)
Horizontal	*11590	42.5	35.3	41.2	48.4	54.0	-5.6

Test Condition : 802.11ac-HT40, SISO, Ant4, Channel 151/13.5Mbps

Polarization	Frequency (MHz)	Reading (dBμV)	Pre-Amp Gain (dB)	Antenna Factor (dB)	Net at 3m (dBμV/m)	Peak Limit at 3m (dBμV/m)	Margin (dB)
Horizontal	11510.000	53.9	35.3	41.2	59.8	68.2	-8.4
Horizontal	17265.000	55.3	33.9	39.2	60.6	68.2	-7.6
Horizontal	5719.145	72.1	36.8	26.5	61.8	78.2	-16.4

Polarization	Frequency (MHz)	Reading (dBμV)	Pre-Amp Gain (dB)	Antenna Factor (dB)	Net at 3m (dBμV/m)	Average Limit at 3m (dBμV/m)	Margin (dB)
Horizontal	*11510	42.6	35.3	41.2	48.5	54.0	-5.5

Test Condition : 802.11ac-HT40, SISO, Ant4, Channel 159/13.5Mbps

Polarization	Frequency (MHz)	Reading (dBμV)	Pre-Amp Gain (dB)	Antenna Factor (dB)	Net at 3m (dBμV/m)	Peak Limit at 3m (dBμV/m)	Margin (dB)
Horizontal	11590.000	53.4	35.3	41.2	59.3	68.2	-8.9
Horizontal	17385.000	55.2	33.9	39.2	60.5	68.2	-7.7
Horizontal	5855.900	71.9	36.7	27.7	62.9	78.2	-15.3

Polarization	Frequency (MHz)	Reading (dBμV)	Pre-Amp Gain (dB)	Antenna Factor (dB)	Net at 3m (dBμV/m)	Average Limit at 3m (dBμV/m)	Margin (dB)
Horizontal	*11590	42.4	35.3	41.2	48.3	54.0	-5.7

Test Condition : 802.11ac-HT40, MIMO, Ant3+4, Channel 151/13.5Mbps

Polarization	Frequency (MHz)	Reading (dBμV)	Pre-Amp Gain (dB)	Antenna Factor (dB)	Net at 3m (dBμV/m)	Peak Limit at 3m (dBμV/m)	Margin (dB)
Horizontal	11510.000	53.5	35.3	41.2	59.4	68.2	-8.8
Horizontal	17265.000	55.7	33.9	39.2	61.0	68.2	-7.2
Horizontal	5722.880	73.4	36.8	26.5	63.1	78.2	-15.1

Polarization	Frequency (MHz)	Reading (dBμV)	Pre-Amp Gain (dB)	Antenna Factor (dB)	Net at 3m (dBμV/m)	Average Limit at 3m (dBμV/m)	Margin (dB)
Horizontal	*11510	41.0	35.3	41.2	46.9	54.0	-7.1

Test Condition : 802.11ac-HT40, MIMO, Ant3+4, Channel 159/13.5Mbps

Polarization	Frequency (MHz)	Reading (dBμV)	Pre-Amp Gain (dB)	Antenna Factor (dB)	Net at 3m (dBμV/m)	Peak Limit at 3m (dBμV/m)	Margin (dB)
Horizontal	11590.000	53.9	35.3	41.2	59.8	68.2	-8.4
Horizontal	17385.000	55.1	33.9	39.2	60.4	68.2	-7.8
Horizontal	5852.106	71.1	36.7	27.7	62.1	78.2	-16.1

Polarization	Frequency (MHz)	Reading (dBμV)	Pre-Amp Gain (dB)	Antenna Factor (dB)	Net at 3m (dBμV/m)	Average Limit at 3m (dBμV/m)	Margin (dB)
Horizontal	*11590	43.5	35.3	41.2	49.4	54.0	-4.6

Test Condition : 802.11ac, SISO, Ant3, Channel 155/29.3Mbps

Polarization	Frequency (MHz)	Reading (dBμV)	Pre-Amp Gain (dB)	Antenna Factor (dB)	Net at 3m (dBμV/m)	Peak Limit at 3m (dBμV/m)	Margin (dB)
Horizontal	11550.000	53.9	35.3	41.2	59.8	68.2	-8.4
Horizontal	17325.000	54.3	33.9	39.2	59.6	68.2	-8.6
Horizontal	5721.395	72.0	36.8	26.5	61.7	78.2	-16.5
Horizontal	5858.068	59.7	36.3	38.6	62.0	78.2	-16.2

Polarization	Frequency (MHz)	Reading (dBμV)	Pre-Amp Gain (dB)	Antenna Factor (dB)	Net at 3m (dBμV/m)	Average Limit at 3m (dBμV/m)	Margin (dB)
Horizontal	*11550	40.9	35.3	41.2	46.8	54.0	-7.2

Test Condition : 802.11ac, SISO, Ant4, Channel 155/29.3Mbps

Polarization	Frequency (MHz)	Reading (dBμV)	Pre-Amp Gain (dB)	Antenna Factor (dB)	Net at 3m (dBμV/m)	Peak Limit at 3m (dBμV/m)	Margin (dB)
Horizontal	11550.000	53.5	35.3	41.2	59.4	68.2	-8.8
Horizontal	17325.000	53.8	33.9	39.2	59.1	68.2	-9.1
Horizontal	5721.700	72.0	36.8	26.5	61.7	78.2	-16.5
Horizontal	5858.140	59.1	36.3	38.6	61.4	78.2	-16.8

Polarization	Frequency (MHz)	Reading (dBμV)	Pre-Amp Gain (dB)	Antenna Factor (dB)	Net at 3m (dBμV/m)	Average Limit at 3m (dBμV/m)	Margin (dB)
Horizontal	*11550	41.6	35.3	41.2	47.5	54.0	-6.5

Test Condition : 802.11ac, MIMO, Ant3+4, Channel 155/58.6Mbps

Polarization	Frequency (MHz)	Reading (dB $\mu$ V)	Pre-Amp Gain (dB)	Antenna Factor (dB)	Net at 3m (dB $\mu$ V/m)	Peak Limit at 3m (dB $\mu$ V/m)	Margin (dB)
Horizontal	11550.000	53.9	35.3	41.2	59.8	68.2	-8.4
Horizontal	17325.000	54.7	33.9	39.2	60.0	68.2	-8.2
Horizontal	5722.140	72.8	36.8	26.5	62.5	78.2	-15.7
Horizontal	5851.735	60.1	36.3	38.6	62.4	78.2	-15.8

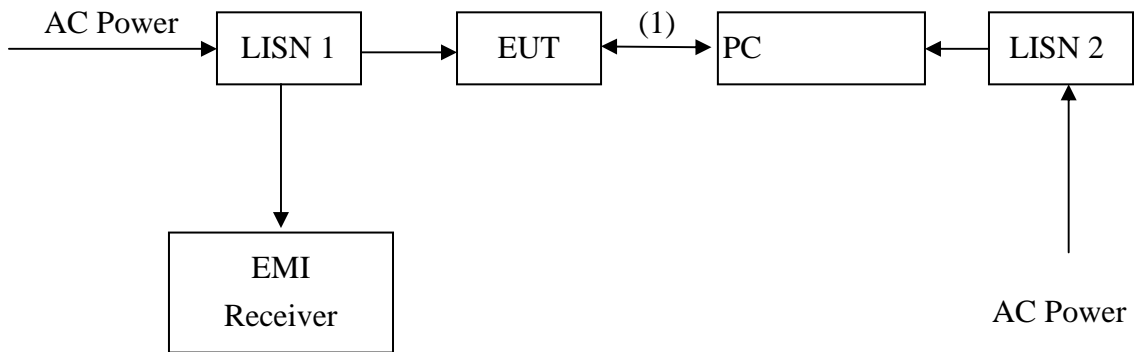
Polarization	Frequency (MHz)	Reading (dB $\mu$ V)	Pre-Amp Gain (dB)	Antenna Factor (dB)	Net at 3m (dB $\mu$ V/m)	Average Limit at 3m (dB $\mu$ V/m)	Margin (dB)
Horizontal	*11550	39.8	35.3	41.2	45.7	54.0	-8.3

**7. Power Line Conducted Emission test**

**7.1 Operating environment**

Temperature: 23 °C  
 Relative Humidity: 55 %  
 Atmospheric Pressure 1023 hPa

**7.2 Test setup & procedure**



The EUT are connected to the main power through a line impedance stabilization network (LISN). This provides a 50 ohm/50 uH coupling impedance for the measuring equipment. The peripheral devices are also connected to the main power through a LISN that provides a 50 ohm/50 uH coupling impedance with 50 ohm termination. Both sides (Line and Neutral) of AC line are checked for maximum conducted interference. In order to find the maximum emission, the relative positions of equipment and all of the interface cables must be changed according to ANSI C63.4/2009 on conducted measurement. The bandwidth of the field strength meter (R & S Test Receiver ESCI 30) is set at 9 kHz.

### 7.3 Limit

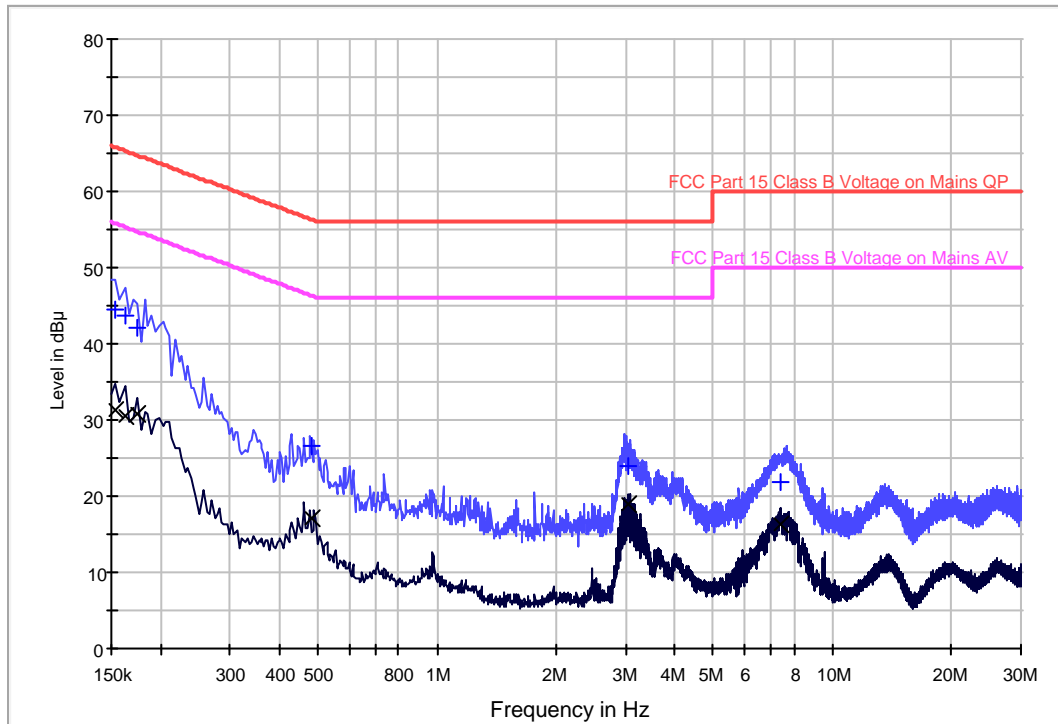
Freq. (MHz)	Conducted Limit (dBuV)	
	Q.P.	Ave.
0.15~0.50	66 – 56*	56 – 46*
0.50~5.00	56	46
5.00~30.0	60	50

\*Decreases with the logarithm of the frequency.

### 7.4 Power Line Conducted Emission test data

The worst case test was performed on EUT under 802.11 ac-HT40 Link + 802.11g-HT20 Link and data transfer with PC.

Phase: Line  
 Test Condition: 802.11n-HT40, MIMO, 38/27Mbps



#### Result Table QP

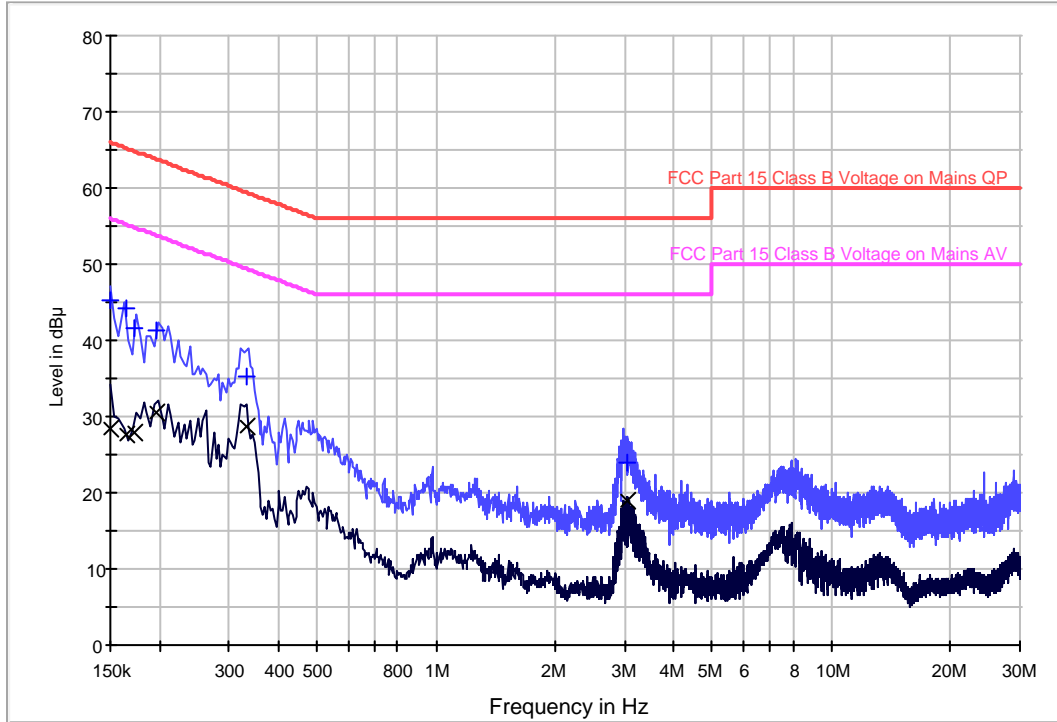
Frequency (MHz)	QuasiPeak (dB $\mu$ V)	Bandwidth (kHz)	Line	Corr. (dB)	Margin (dB)	Limit (dB $\mu$ V)
0.154000	44.4	9.000	L1	9.5	21.4	65.8
0.163000	43.7	9.000	L1	9.5	21.6	65.3
0.174000	42.1	9.000	L1	9.5	22.7	64.8
0.482000	26.5	9.000	L1	9.4	29.8	56.3
3.030000	24.0	9.000	L1	9.6	32.0	56.0
7.390000	22.0	9.000	L1	9.7	38.0	60.0

#### Result Table AV

Frequency (MHz)	Average (dB $\mu$ V)	Bandwidth (kHz)	Line	Corr. (dB)	Margin (dB)	Limit (dB $\mu$ V)
0.154000	31.4	9.000	L1	9.5	24.4	55.8
0.163000	30.5	9.000	L1	9.5	24.8	55.3
0.174000	30.7	9.000	L1	9.5	24.1	54.8
0.482000	17.2	9.000	L1	9.4	29.1	46.3
3.030000	19.1	9.000	L1	9.6	26.9	46.0
7.390000	16.3	9.000	L1	9.7	33.7	50.0



Phase: : Neutral  
 Test Condition: : 802.11n-HT40, MIMO, 38/27Mbps



### Result Table QP

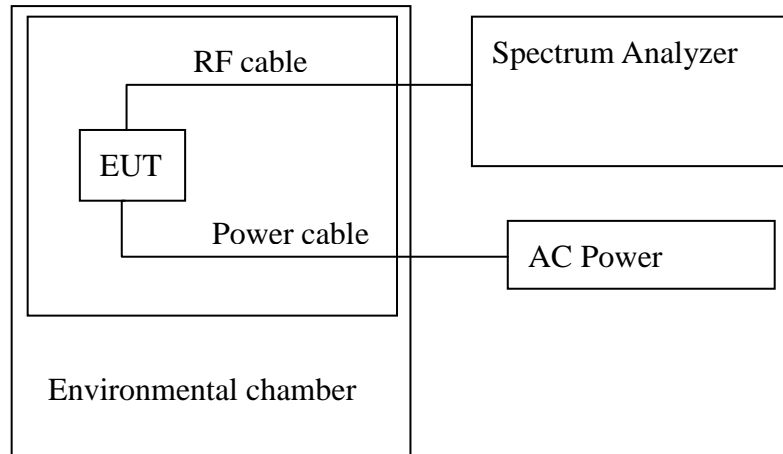
Frequency (MHz)	QuasiPeak (dB $\mu$ V)	Bandwidth (kHz)	Line	Corr. (dB)	Margin (dB)	Limit (dB $\mu$ V)
0.150000	45.2	9.000	N	9.6	20.8	66.0
0.164000	44.1	9.000	N	9.5	21.2	65.3
0.172000	41.5	9.000	N	9.6	23.4	64.9
0.196000	41.3	9.000	N	9.6	22.5	63.8
0.330000	35.2	9.000	N	9.6	24.3	59.5
3.046000	23.9	9.000	N	9.6	32.1	56.0

### Result Table AV

Frequency (MHz)	Average (dB $\mu$ V)	Bandwidth (kHz)	Line	Corr. (dB)	Margin (dB)	Limit (dB $\mu$ V)
0.150000	28.5	9.000	N	9.6	27.5	56.0
0.164000	27.6	9.000	N	9.5	27.7	55.3
0.172000	27.9	9.000	N	9.6	27.0	54.9
0.196000	30.4	9.000	N	9.6	23.4	53.8
0.330000	28.8	9.000	N	9.6	20.7	49.5
3.046000	19.1	9.000	N	9.6	26.9	46.0

**8. Frequency Stability Test**

**8.1 Test setup & procedure**



Note1: The frequency stability is measured with the temperature variation range of 0°C to +40°C (10°C increment), and voltage supply variation range of 85% to 115% of nominal AC supply voltage.

2: To ensure emission at the band-edge is maintained within the authorized band, the frequency 802.11a/n-HT20/40/ac-HT20/40/80 channel 36, 48, 38, 46, 42, 149, 165, 151, 159, 155 are selected to test and the worst case of ant3 was reported.

**8.2 Frequency Stability Test Data**

20°C is taken as temperature in normal condition.

Model: 802.11a, Operation frequency: 5180MHz, Channel: 36, Rate: 6Mbps

Input voltage (VAC)	Temperature (°C)	Measured Frequency (MHz)	Frequency deviation (Hz)	Result
120	0	5180.000125	125	Pass
	+10	5179.999574	-477	Pass
	+20	5179.999836	-148	Pass
	+30	5179.999515	-498	Pass
	+40	5179.99992	-1,250	Pass
102	+20	5180.000116	183	Pass
138	+20	5180.000112	126	Pass

Model: 802.11a, Operation frequency: 5240MHz, Channel: 48, Rate: 6Mbps

Model: 802.11n-HT20, Operation frequency: 5180MHz, Channel: 36, Rate: 6.5Mbps

Input voltage (VAC)	Temperature (°C)	Measured Frequency (MHz)	Frequency deviation (Hz)	Result
120	0	5180.000123	123	Pass
	+10	5179.999525	-475	Pass
	+20	5179.999859	-141	Pass
	+30	5179.999513	-487	Pass
	+40	5179.999575	-425	Pass
102	+20	5180.000149	149	Pass
138	+20	5180.000126	126	Pass

Model: 802.11n-HT20, Operation frequency: 5240MHz, Channel: 48, Rate: 6.5Mbps

Input voltage (VAC)	Temperature (°C)	Measured Frequency (MHz)	Frequency deviation (Hz)	Result
120	0	5240.000125	125	Pass
	+10	5240.000121	121	Pass
	+20	5240.000154	154	Pass
	+30	5240.000125	125	Pass
	+40	5240.000129	129	Pass
102	+20	5240.000181	181	Pass
138	+20	5240.000146	146	Pass

Model: 802.11n-HT40, Operation frequency: 5190MHz, Channel: 38, Rate: 13.5Mbps

Input voltage (VAC)	Temperature (°C)	Measured Frequency (MHz)	Frequency deviation (Hz)	Result
120	0	5190.000185	185	Pass
	+10	5189.999254	-746	Pass
	+20	5189.999417	-583	Pass
	+30	5189.999285	-715	Pass
	+40	5190.000194	194	Pass
102	+20	5190.000254	254	Pass
138	+20	5190.000181	181	Pass

Model: 802.11n-HT40, Operation frequency: 5230MHz, Channel: 46, Rate: 13.5Mbps

Input voltage (VAC)	Temperature (°C)	Measured Frequency (MHz)	Frequency deviation (Hz)	Result
120	0	5230.000251	251	Pass
	+10	5230.000283	283	Pass
	+20	5230.000262	262	Pass
	+30	5230.000195	195	Pass
	+40	5230.000126	126	Pass
102	+20	5230.000252	252	Pass
138	+20	5230.000291	291	Pass

Model: 802.11ac-HT20, Operation frequency: 5180MHz, Channel: 36, Rate: 6.5Mbps

Input voltage (VAC)	Temperature (°C)	Measured Frequency (MHz)	Frequency deviation (Hz)	Result
120	0	5180.000125	125	Pass
	+10	5179.999545	-455	Pass
	+20	5179.999853	-147	Pass
	+30	5179.999505	-495	Pass
	+40	5179.999250	-750	Pass
102	+20	5180.000185	185	Pass
138	+20	5180.000154	154	Pass

Model: 802.11ac-HT20, Operation frequency: 5240MHz, Channel: 48, Rate: 6.5Mbps

Input voltage (VAC)	Temperature (°C)	Measured Frequency (MHz)	Frequency deviation (Hz)	Result
120	0	5240.000196	196	Pass
	+10	5240.000151	151	Pass

	+20	5240.000147	147	Pass
	+30	5240.000128	128	Pass
	+40	5240.000185	185	Pass
102	+20	5240.000162	162	Pass
138	+20	5240.000149	149	Pass

Model: 802.11ac-HT40, Operation frequency: 5190MHz, Channel: 38, Rate: 13.5Mbps

Input voltage (VAC)	Temperature (°C)	Measured Frequency (MHz)	Frequency deviation (Hz)	Result
120	0	5190.000124	124	Pass
	+10	5189.999255	-745	Pass
	+20	5189.999382	-618	Pass
	+30	5189.999290	-710	Pass
	+40	5190.000191	191	Pass
102	+20	5190.000215	215	Pass
138	+20	5190.000195	195	Pass

Model: 802.11ac-HT40, Operation frequency: 5230MHz, Channel: 46, Rate: 13.5Mbps

Input voltage (VAC)	Temperature (°C)	Measured Frequency (MHz)	Frequency deviation (Hz)	Result
120	0	5230.000245	245	Pass
	+10	5230.000292	292	Pass
	+20	5230.000285	285	Pass
	+30	5230.000268	268	Pass
	+40	5230.000154	154	Pass
102	+20	5230.000245	245	Pass
138	+20	5230.000295	295	Pass

Model: 802.11ac-HT80, Operation frequency: 5210MHz, Channel: 42, Rate: 29.3Mbps

Input voltage (VAC)	Temperature (°C)	Measured Frequency (MHz)	Frequency deviation (Hz)	Result
120	0	5210.000225	225	Pass
	+10	5210.000156	156	Pass
	+20	5210.000193	193	Pass
	+30	5210.000158	158	Pass
	+40	5210.000225	225	Pass
102	+20	5210.000290	290	Pass
138	+20	5210.000175	175	Pass

Model: 802.11a, Operation frequency: 5745MHz, Channel: 149, Rate: 6Mbps

Input voltage (VAC)	Temperature (°C)	Measured Frequency (MHz)	Frequency deviation (Hz)	Result
120	0	5745.000194	194	Pass
	+10	5745.000167	167	Pass
	+20	5745.000124	124	Pass
	+30	5745.000253	253	Pass
	+40	5745.000208	208	Pass
102	+20	5745.000193	193	Pass
138	+20	5745.000122	122	Pass

Model: 802.11a, Operation frequency: 5825MHz, Channel: 165, Rate: 6Mbps

Input voltage (VAC)	Temperature (°C)	Measured Frequency (MHz)	Frequency deviation (Hz)	Result
120	0	5825.000165	165	Pass
	+10	5825.000245	245	Pass
	+20	5825.000213	213	Pass
	+30	5825.000135	135	Pass
	+40	5825.000226	226	Pass
102	+20	5825.000252	252	Pass
138	+20	5825.000205	205	Pass

Model: 802.11n-HT20, Operation frequency: 5745MHz, Channel: 149, Rate: 6.5Mbps

Input voltage (VAC)	Temperature (°C)	Measured Frequency (MHz)	Frequency deviation (Hz)	Result
120	0	5745.000145	145	Pass
	+10	5745.000243	243	Pass
	+20	5745.000225	225	Pass
	+30	5745.000196	196	Pass
	+40	5745.000159	159	Pass
102	+20	5745.000245	245	Pass
138	+20	5745.000141	141	Pass

Model: 802.11n-HT20, Operation frequency: 5825MHz, Channel: 165, Rate: 6.5Mbps

Input voltage (VAC)	Temperature (°C)	Measured Frequency (MHz)	Frequency deviation (Hz)	Result
120	0	5825.000223	223	Pass
	+10	5825.000242	242	Pass
	+20	5825.000127	127	Pass
	+30	5825.000215	215	Pass
	+40	5825.000160	160	Pass
102	+20	5825.000243	243	Pass
138	+20	5825.000121	121	Pass

Model: 802.11n-HT40, Operation frequency: 5755MHz, Channel: 151, Rate: 13.5Mbps

Input voltage (VAC)	Temperature (°C)	Measured Frequency (MHz)	Frequency deviation (Hz)	Result
120	0	5754.999825	-175	Pass
	+10	5754.999853	-147	Pass
	+20	5754.999826	-174	Pass
	+30	5754.999876	-124	Pass

	+40	5754.999845	-155	Pass
102	+20	5754.999856	-144	Pass
138	+20	5754.999845	-155	Pass

Model: 802.11n-HT40, Operation frequency: 5795MHz, Channel: 159, Rate: 13.5Mbps

Input voltage (VAC)	Temperature (°C)	Measured Frequency (MHz)	Frequency deviation (Hz)	Result
120	0	5795.000266	266	Pass
	+10	5795.000274	274	Pass
	+20	5795.000292	292	Pass
	+30	5795.000215	215	Pass
	+40	5795.000276	276	Pass
102	+20	5795.000145	145	Pass
138	+20	5795.000252	252	Pass

Model: 802.11n-HT20, Operation frequency: 5745MHz, Channel: 149, Rate: 6.5Mbps

Input voltage (VAC)	Temperature (°C)	Measured Frequency (MHz)	Frequency deviation (Hz)	Result
120	0	5745.000152	152	Pass
	+10	5745.000275	275	Pass
	+20	5745.000221	221	Pass
	+30	5745.000235	235	Pass
	+40	5745.000463	463	Pass
102	+20	5745.000214	214	Pass
138	+20	5745.000231	231	Pass

Model: 802.11n-HT20, Operation frequency: 5825MHz, Channel: 165, Rate: 6.5Mbps

Input voltage (VAC)	Temperature (°C)	Measured Frequency (MHz)	Frequency deviation (Hz)	Result
120	0	5825.000334	334	Pass
	+10	5825.000345	345	Pass
	+20	5825.000216	216	Pass
	+30	5825.000254	254	Pass
	+40	5825.000236	236	Pass
102	+20	5825.000215	215	Pass
138	+20	5825.000309	309	Pass

Model: 802.11n-HT40, Operation frequency: 5755MHz, Channel: 151, Rate: 13.5Mbps

Input voltage (VAC)	Temperature (°C)	Measured Frequency (MHz)	Frequency deviation (Hz)	Result
120	0	5754.999294	-706	Pass
	+10	5754.999294	-706	Pass
	+20	5754.999726	-274	Pass
	+30	5754.999276	-724	Pass
	+40	5754.999020	-980	Pass
102	+20	5755.000221	221	Pass
138	+20	5755.000236	236	Pass

Model: 802.11n-HT40, Operation frequency: 5795MHz, Channel: 159, Rate: 13.5Mbps

Input voltage (VAC)	Temperature (°C)	Measured Frequency (MHz)	Frequency deviation (Hz)	Result

120	0	5795.000312	312	Pass
	+10	5795.000243	243	Pass
	+20	5795.000216	216	Pass
	+30	5795.000227	227	Pass
	+40	5795.000294	294	Pass
102	+20	5795.000215	215	Pass
138	+20	5795.000214	214	Pass

Model: 802.11ac-HT20, Operation frequency: 5745MHz, Channel: 149, Rate: 6.5Mbps

Input voltage (VAC)	Temperature (°C)	Measured Frequency (MHz)	Frequency deviation (Hz)	Result
120	0	5745.000152	152	Pass
	+10	5745.000235	235	Pass
	+20	5745.000247	247	Pass
	+30	5745.000245	245	Pass
	+40	5745.000256	256	Pass
102	+20	5745.000251	251	Pass
138	+20	5745.000221	221	Pass

Model: 802.11ac-HT20, Operation frequency: 5825MHz, Channel: 165, Rate: 6.5Mbps

Input voltage (VAC)	Temperature (°C)	Measured Frequency (MHz)	Frequency deviation (Hz)	Result
120	0	5825.000204	24	Pass
	+10	5825.000235	235	Pass
	+20	5825.000156	156	Pass
	+30	5825.000245	245	Pass
	+40	5825.000233	233	Pass
102	+20	5825.000226	226	Pass
138	+20	5825.000245	245	Pass

Model: 802.11n-HT40, Operation frequency: 5755MHz, Channel: 151, Rate: 13.5Mbps

Input voltage (VAC)	Temperature (°C)	Measured Frequency (MHz)	Frequency deviation (Hz)	Result
120	0	5754.999295	-705	Pass
	+10	5754.999226	-774	Pass
	+20	5754.999715	-285	Pass
	+30	5754.999270	-730	Pass
	+40	5754.999125	-875	Pass
102	+20	5755.000265	265	Pass
138	+20	5755.000254	254	Pass

Model: 802.11ac-HT40, Operation frequency: 5795MHz, Channel: 159, Rate: 13.5Mbps

Input voltage (VAC)	Temperature (°C)	Measured Frequency (MHz)	Frequency deviation (Hz)	Result
120	0	5795.000224	224	Pass
	+10	5795.000245	245	Pass
	+20	5795.000213	213	Pass
	+30	5795.000235	235	Pass
	+40	5795.000276	276	Pass
102	+20	5795.000156	156	Pass
138	+20	5795.000217	217	Pass

Model: 802.11ac-HT80 Operation frequency: 5775MHz, Channel: 155, Rate: 29.3Mbps

Input voltage (VAC)	Temperature (°C)	Measured Frequency (MHz)	Frequency deviation (Hz)	Result
120	0	5775.000265	265	Pass
	+10	5775.000256	256	Pass
	+20	5775.000244	244	Pass
	+30	5775.000231	231	Pass
	+40	5775.000235	235	Pass
102	+20	5775.000125	125	Pass
138	+20	5775.000215	215	Pass



Appendix A: Test equipment list

Equipment No.	Equipment	Manufacturer	Model No.	Serial No.	Cal. Date	Due Date
SZ182-02	RF Power Meter	Anritsu	ML2496A	1302005	20-May-2015	20-May-2016
SZ182-02-01	Pulse Power Sensor	Anritsu	MA2411B	1207429	20-May-2015	20-May-2016
SZ070-24	Open Switch and Control Unit with TS8997 option for power measurement test	R&S	OSP120+B157	--	8-Apr-2016	8-Oct-2016
SZ061-03	BiConiLog Antenna	ETS	3142C	00066460	30-Dec-2015	30-Jun-2016
SZ061-06	Active Loop Antenna	Electro-Metrics	EM-6876	217	29-Apr-2016	29-Apr-2017
SZ061-09	Horn Antenna	ETS	3115	00092346	31-Oct-2015	31-Oct-2016
SZ061-07	Pyramidal Horn Antenna	ETS	3160-09	00083067	29-Mar-2016	29-Mar-2017
SZ061-13	Pyramidal Horn Antenna	ETS	3160-10	00084329	03-Sep-2015	03-Sep-2016
SZ185-01	EMI Receiver	R&S	ESCI	100547	23-Jan-2016	23-Jan-2017
SZ056-06	EXA Spectrum Analyzer	R&S	FSV40	101101	8-Jul-2015	8-Jul-2016
SZ181-04	Preamplifier	Agilent	8449B	3008A02474	23-Jan-2016	23-Jan-2017
SZ188-01	Anechoic Chamber	ETS	RFD-F/A-100	4102	16-Apr-2016	16-Apr-2018
SZ062-02	RF Cable	RADIALL	RG 213U	--	30-Dec-2015	30-Jun-2016
SZ062-05	RF Cable	RADIALL	0.04-26.5GHz	--	6-Apr-2016	6-Oct-2016
SZ062-12	RF Cable	RADIALL	0.04-26.5GHz	--	6-Apr-2016	6-Oct-2016
SZ067-21	Notch Filter	Micro-Tronics	High-pass filter	--	23-Jan-2016	23-Jan-2017
SZ067-04	Notch Filter	Micro-Tronics	BRM50702-02	--	20-May-2015	20-May-2016
SZ185-02	EMI Test Receiver	R&S	ESCI	100692	3-Nov-2015	3-Nov-2016
SZ187-01	Two-Line V-Network	R&S	ENV216	100072	3-Nov-2015	3-Nov-2016
SZ187-02	Two-Line V-Network	R&S	ENV216	100073	24-Jun-2015	24-Jun-2016
SZ188-03	Shielding Room	ETS	RFD-100	4100	23-Aug-2014	23-Aug-2016
SZ016-12	Programmable Temperature & Humidity Chamber	Taili	MHK-120NK	AB0105	23-Jan-2016	23-Jan-2017
SZ006-12	AC Power Source	Apcpowers	AFC-11005GS	F312020082	28-Dec-2015	28-Jun-2016

Expanded uncertainty of radiated emission measurement is  $\pm 4.9$  dB.

Expanded uncertainty of conducted emission measurement is  $\pm 3.6$  dB.