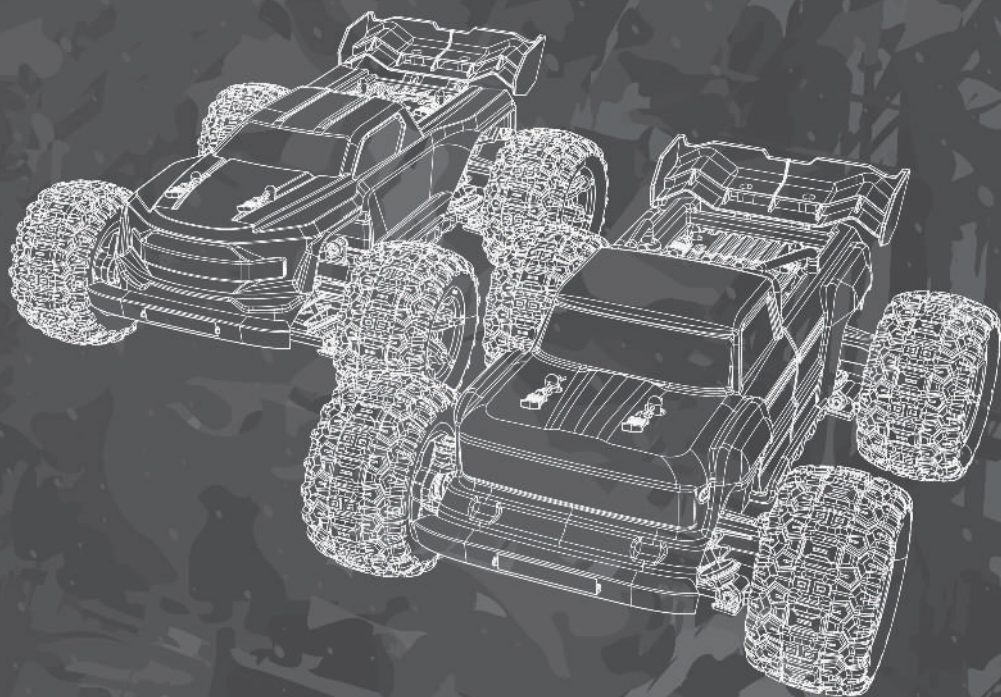


No.H16E/H16P

HYPER GO

1:16 RC HIGH SPEED CAR USER MANUAL



4WD
REMOTE CONTROL

The instruction sheet for this product is just for your reference. We reserve the right to make changes or adjustments on the product without prior notification. Please refer to the official information.

Warning:

Choking hazard! This product contains small parts. NOT suitable for children under 3 years. Contains electrical components and should be kept dry at all times. Regularly check the battery charger wires, plugs and shell and other components for damage. DO NOT use if any part is damaged.

Warnings & Cautions

1. Detachable small parts should be stored safely and out of reach of children.
2. If interference is experienced, turn the model off and try it again in a different area.
3. Transmitter will not function correctly if the batteries are low. Please replace the batteries.
4. Please discard old/used batteries in a safe manner. Consider your environment!
5. Please store the remote control model in cool, dry place.
6. DO NOT expose to fire or high temperatures, do not store in moist place.
7. Once the battery get wet, wipe immediately with a soft dry cloth.
If the battery any deformation, please stop using.
8. If you don't use the model for a long time, please raise the chassis to let the wheels hang in the air.


Precautions for Battery Use

1. Transmitter uses 3x1.5V "AA" batteries. (Battery not included)
2. Please pay attention to correct polarity when replacing batteries.
3. Rechargeable batteries should be charged under adult supervision.
4. DO NOT use a mix of old and new or different types of battery.
5. After the battery is exhausted, the model should be removed.
6. Exhaust battery should be safety dispose!
7. DO NOT short circuit any terminals.
8. DO NOT attempt to recharge non rechargeable batteries.
9. Remove batteries from the model when charging.
10. DO NOT put batteries into a fire or into water.
11. The rated input voltage battery charger MUST be suitable for your mains power voltage.
12. During charging it is quite normal for the charger and batteries to heat up.
13. Do not swallow battery!
14. Store only in cool, dry and dark places and should be keep out of the children!
15. When the battery leaks the liquid and let it into you eyes, please right away rinse them and consult an ophthalmologist.

Safety Precautions

- It is a radio control model, not a toy!
- In order to enjoy running the car, you need to finish assembly before operation. Do routine maintenance work after operation. Replacement parts and option parts are available separately.
- Improper usage with Alkaline cells or rechargeable batteries may damage the electronics for the car or the radio.

In order to operate the car safely. Be sure that you have observed the following points:

 Please follow the points as below in order to prevent accident from happening to the car and people.



- Be sure to read thoroughly the manual before you begin. Fresh user should seek advice from people having rich experience in order to assemble the model correctly.



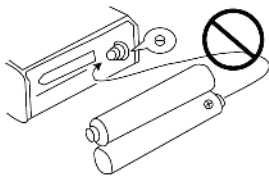
- Cutters, nippers and screwdrivers need careful handling.



- As the product contains small and sharp parts, assemble and store this product only in places out of the reach of children.




- Do not expose this model to high temperature, humidity or direct sunlight.



- Never reverse connection/ disassemble the battery. This may lead to damage and leakage.

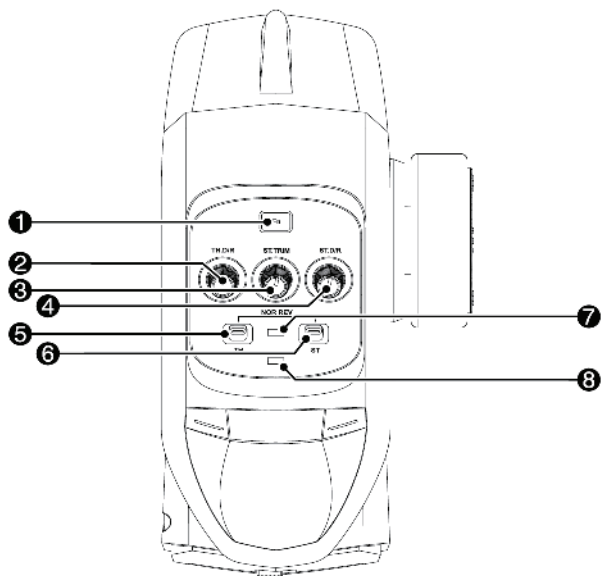
- When the model is not in use, always turn off the receiver and transmitter. Further more, disconnect the batteries and remove them from the model and the transmitter. This may be dangerous such as overheat and leakage.

Operating Your Model Safely

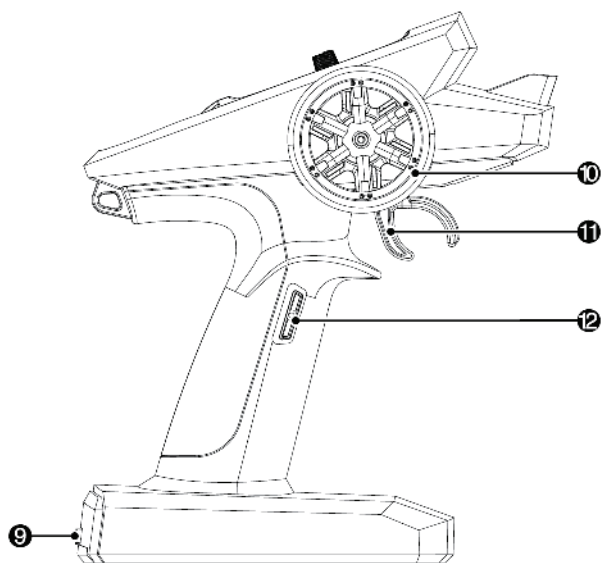
 Do NOT operate the model in the following places and situations. (Non-observance may lead to accident!)

- Operate your model in spacious and safe areas! Do not operate it:
 1. On road!
 2. In places where children and many people gather.
 3. In residential districts and parks!
 4. Do not operate the model on public roads, in crowded places and near infant as it may cause accidents.
 5. Indoors and in limited space! Non-observance may result in personal injury and property damage!
- The car must stop immediately and check for the reasons when it is operating abnormal. As long as the problem is not cleared, do NOT operate it! This may lead to further trouble and unforeseen accidents!
- Always check the radio batteries!
With weak dry batteries, transmission and reception of the radio would fall off. You may lose control of your model in such condition. This may also cause serious accidents!
- Keep in mind that people around you may also operate a radio control model!
NEVER share the same frequency with somebody else at the same time! Otherwise, Radio signals will be mixed up and you will lose control to your model. This may lead to accidents.
- Do NOT put fingers or any objects inside rotating and moving parts!
- Right after use, do NOT touch the motor! Danger of burning yourself!

Transmitter Buttons Name



- ① Fn (CH3 Light control/
Code matching)
- ② TH.D/R (Throttle.D/R trimmer)
- ③ ST.TRIM (Steering servo trimmer)
- ④ ST.D/R (Steering D/R trimmer)
- ⑤ TH.NOR REV (Throttle reverse)
- ⑥ ST.NOR REV (Steering reverse)
- ⑦ Green indicator light (Signal)
- ⑧ Red indicator light (Power)



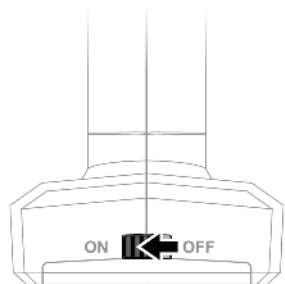
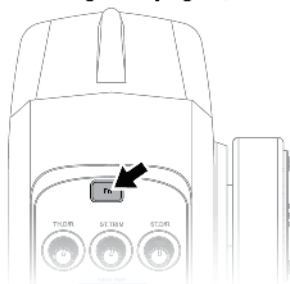
- ⑨ Power switch
- ⑩ CH2: ST (Steering)
- ⑪ CH1: TH (Throttle)
- ⑫ Ejection

①Fn (CH3 Light control/Code matching)

Short Press the "Fn" button to turn on/off the light of high speed car.

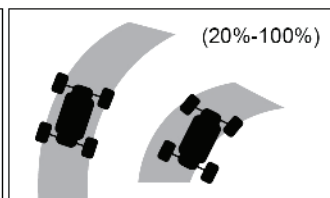
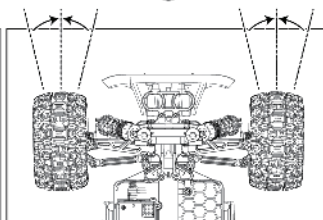
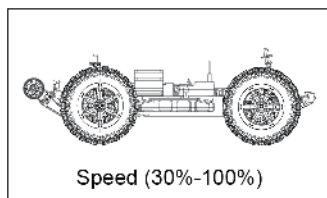
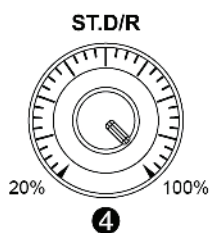
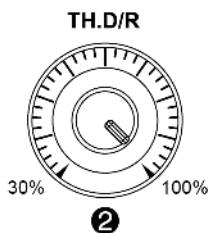
Please follow below steps to re-pair the transmitter if needs.

1. Press and hold the "Fn" button as a below picture, turn on the transmitter power switch, then release the button when the signal indicator light flash, the transmitter is in code matching state.
2. Connect the battery to the car, turn on the battery power switch, the indicator light of high speed car changes from flashing to staying on, then the code is matching successfully.



⚠ Please note, the car and the transmitter only need to be matching-code at first time, then do not need match again in future, just turn on the car and transmitter to play.

Indicator lights states	Meanings
Indicator lights stay on	Have powered already, working well.
Indicator lights flash quickly	Matching code.
Indicator Lights flash slowly	a. Has lost the signal of transmitter.
	b. Entering into the low-power state.
Indicator Lights off	Entering into over current or over high-temperature protection state.
Indicator Lights flash quickly	Forward or backward.

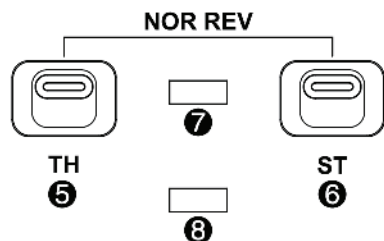


②TH.D/R
(Throttle.D/R trimmer)

③ST.TRIM
(Steering servo trimmer)

④ST.D/R
(Steering D/R trimmer)

If the car can't run straightly during driving, it can be adjusted via this trimmer.



⑤TH.NOR REV (Throttle reverse)

If the forward/backward are reversed after pushing the throttle, such as, the car goes backward after push the throttle, then please toggle this switch.

⑥ST.NOR REV (Steering reverse)

During the turning, if the left and right turning are reversed, such as, you push the turning left button, while the car turns right, then please toggle this switch to adjust.

⑦Green indicator light (Signal)

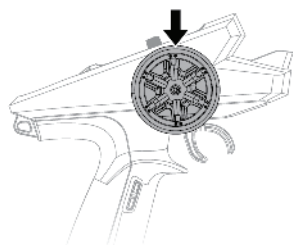
Stay on	Working well
Flash quickly	Matching code
Flash slowly	Signal missing

⑧Red indicator light (Power)

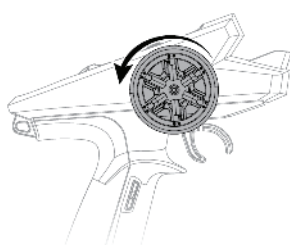
Stay on	Working well
Flash slowly	The power of transmitter is low

⑩CH2: ST (Steering)

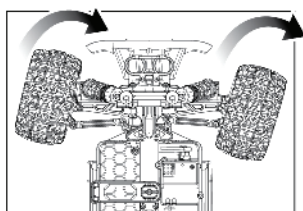
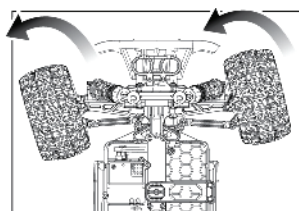
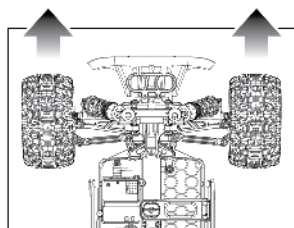
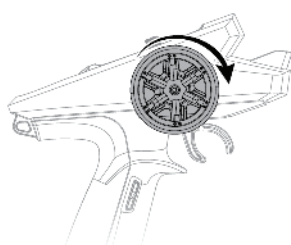
In the middle



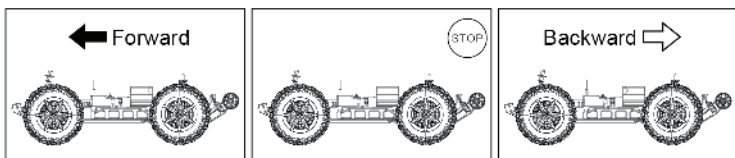
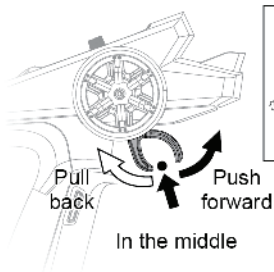
Turn left



Turn right



⑪CH1: TH (Throttle)

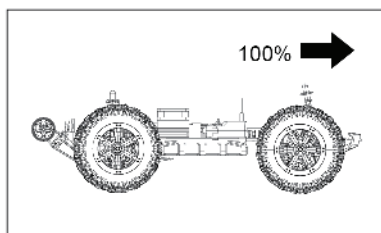
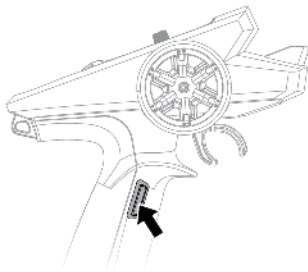


Brake: When the car is running forward, pull back the throttle of transmitter, the car will brake. After pushing the throttle to the middle, pull the throttle back again, then the car will backward.

*Please Note, the car does not have the brake function during backward.

⑫Ejection

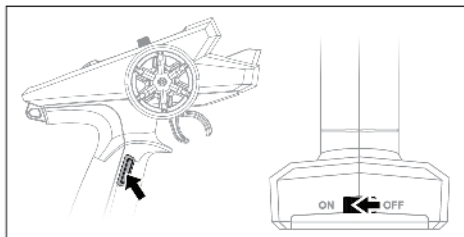
Press the ejection button, the car will move forward as the maximum speed.
(The maximum speed is not affected by TH.D/R)



If the throttle and joystick of transmitter doesn't work well, please do calibrate as below method:

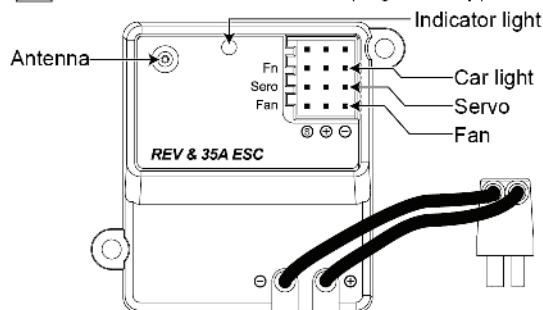
When the transmitter is off, press and hold the ejection button, turn on the power switch to complete the transmitter calibration.
(Please note, during the operation, DO NOT touch the steering hand-wheel and throttle)

⚠ If the transmitter is good, then doesn't need to be calibrated.

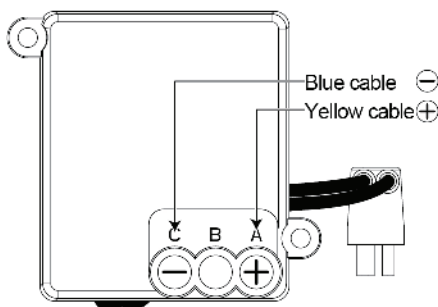


REV & 35A ESC

⚠ Please note: Do not insert the plug in the opposite direction.

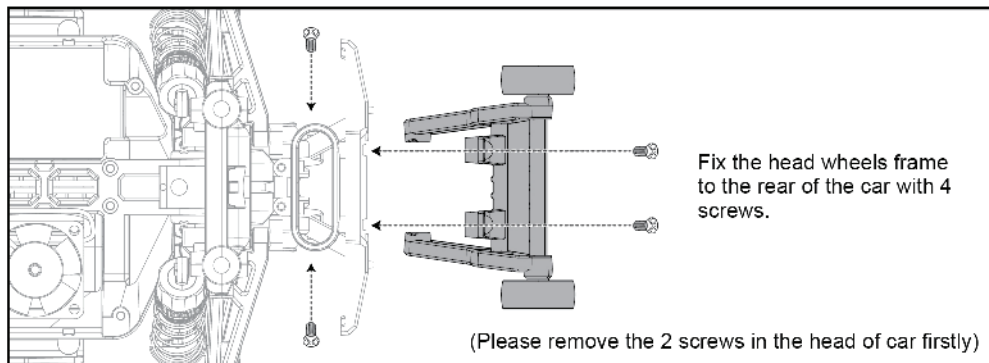


The front side of receiver



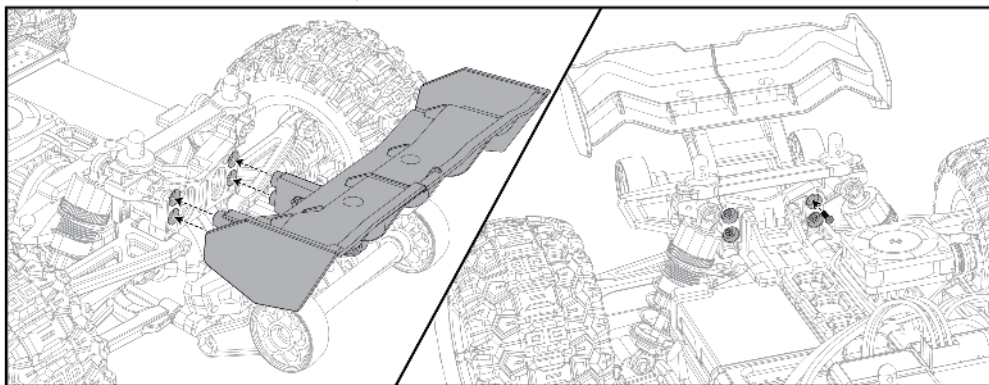
The back size of receiver

Install the Head Wheels



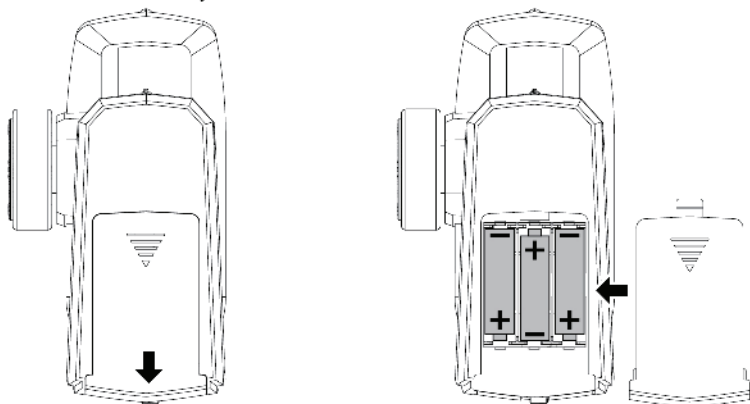
Install the Tail

Install the tail to the rear shock tower, lock with 4 screws.



Install the Transmitter's Battery

Open the battery cover of the transmitter, install the 3*AA batteries according to the battery direction in transmitter, then close the battery cover.

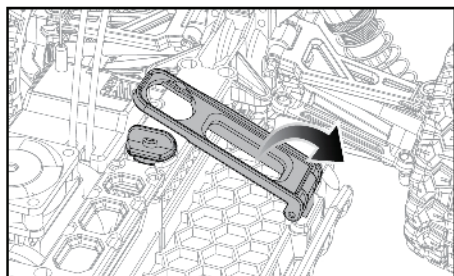


Battery Installation and Charging

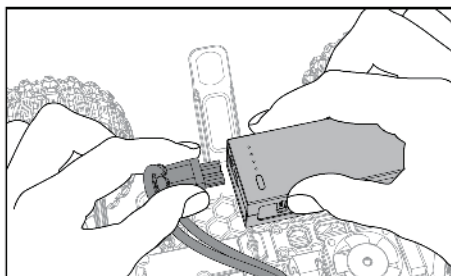
Battery installation

⚠ Please note, the battery is factory specialized battery, if using other non-official battery, the car cannot start.

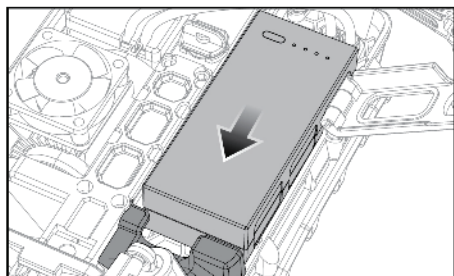
- ① Turn the battery lock knob, then flip up the cover;
- ② Connect the receiver plug to the battery;
- ③ Put the battery into the battery box and make sure it is installed in place;
- ④ Flip back the cover and turn the knob to lock.



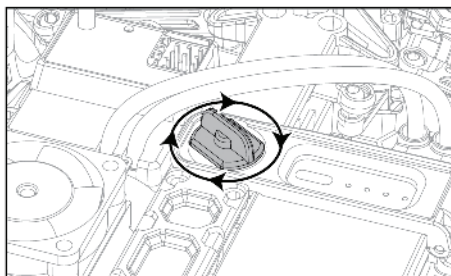
①



②



③



④

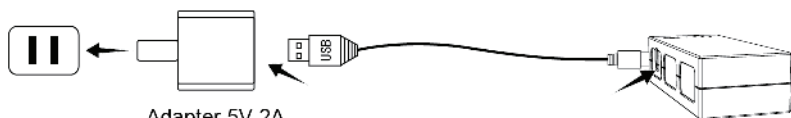
Charge

H16 High speed car battery: 7.4V 1050mAh 25C.

When using the 5V 2A charging adapter, the charging time is about 80 mins.

- In charging, the indicator lights of battery flash in turns.
- Charge fully, the indicator lights of battery stay on.

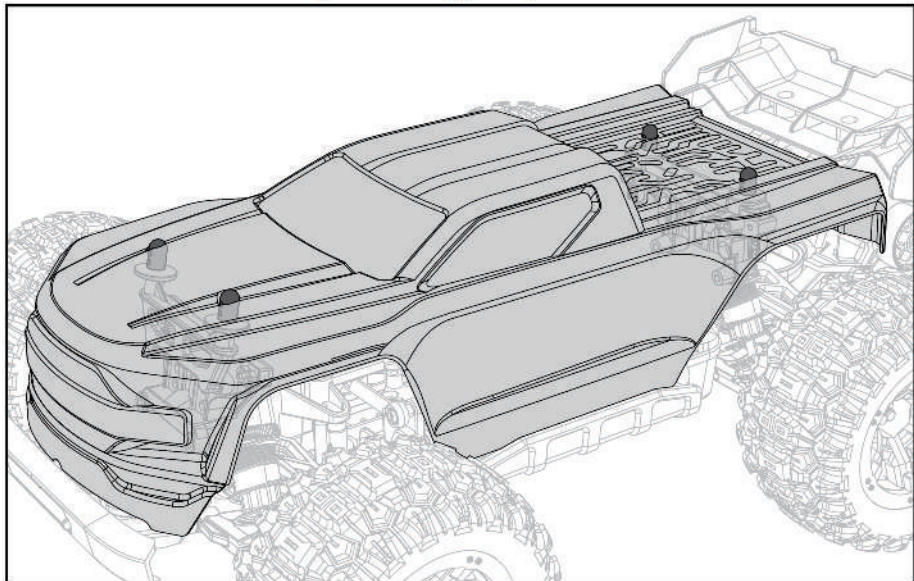
*The above charging time data is base on a 5V 2A adapter. Using different adapters and power supply equipment will affect the actual charging time. It is recommended to use a 5V 2A adapter for charging.



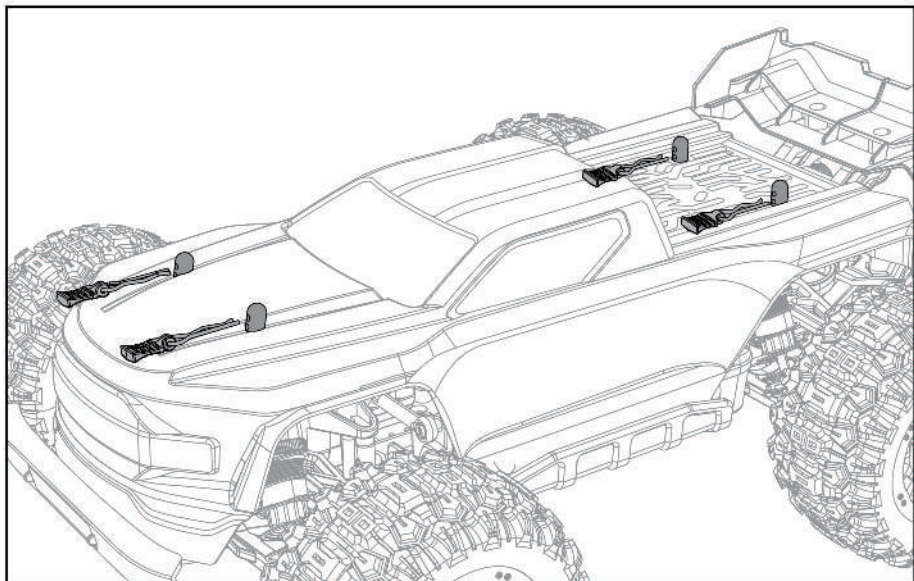
Adapter 5V 2A
(Not Included, please purchase)

Install the Car Body (H16E)

1. Aline the 4 holes of the car body with the body pillars, then install it.

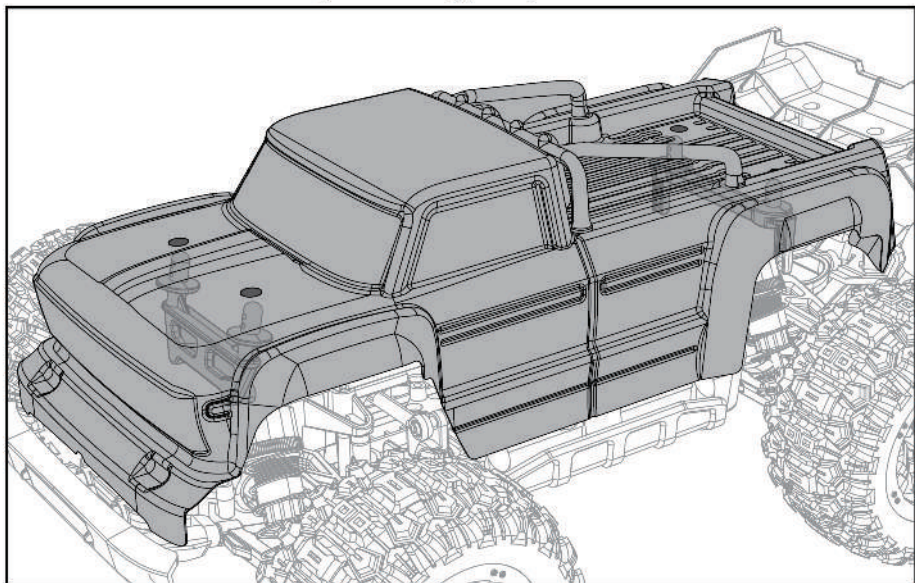


2. Insert the 4 clips into the holes to lock the car body.

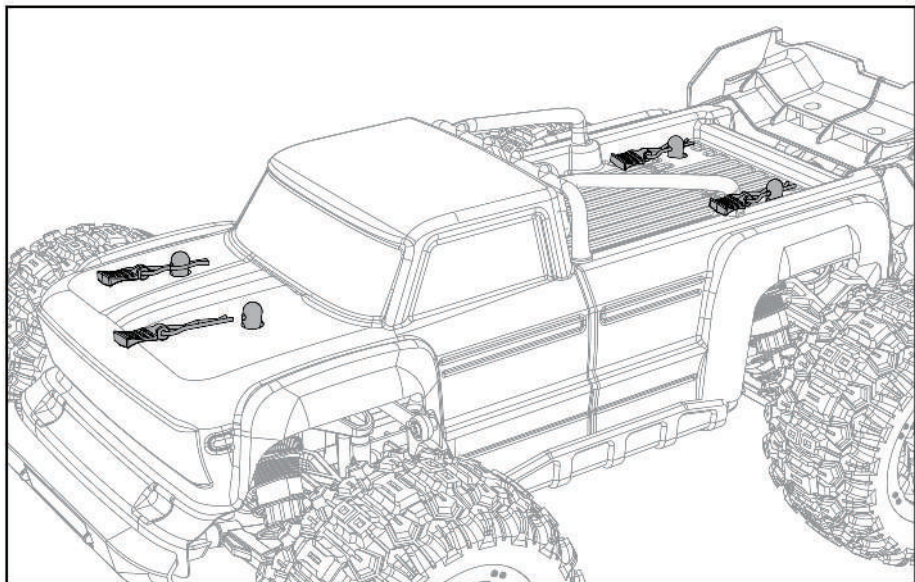


Install the Car Body (H16P)

1. Align the 4 holes of the car body with the body pillars, then install it.



2. Insert the 4 clips into the holes to lock the car body.

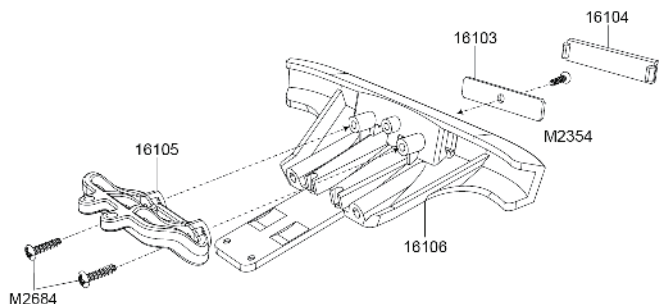


1610E Front Bumper Assembly (With LED)

Screw:

M2684 $\varnothing 2.6 \times 8 \text{mm}$ 2PCS
Round head screws

M2354 $\varnothing 2.3 \times 5 \text{mm}$ 1PCS
Round head screws

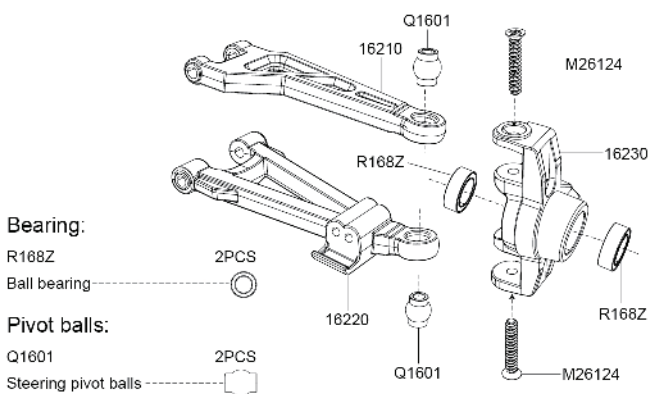
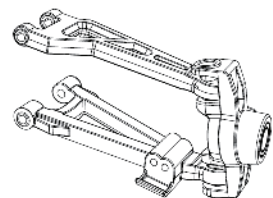


16200 Front Swing Set

Screw:

M26124 $\varnothing 2.6 \times 12.5 \text{mm}$ 2PCS
Countersunk flat head screws

16200



16201 Rear Swing Set

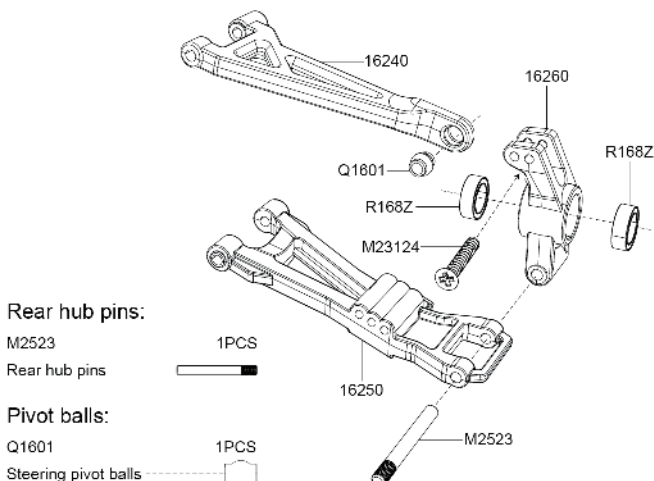
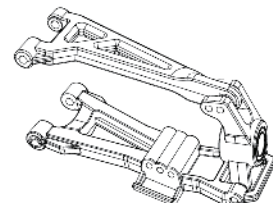
Screw:

M23124 $\varnothing 2.3 \times 12 \text{mm}$ 1PCS
Countersunk flat head screws

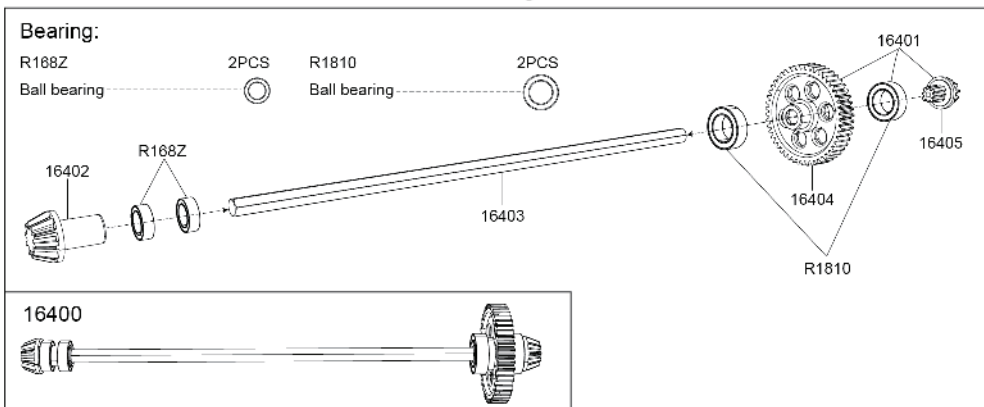
Bearing:

R168Z 2PCS
Ball bearing

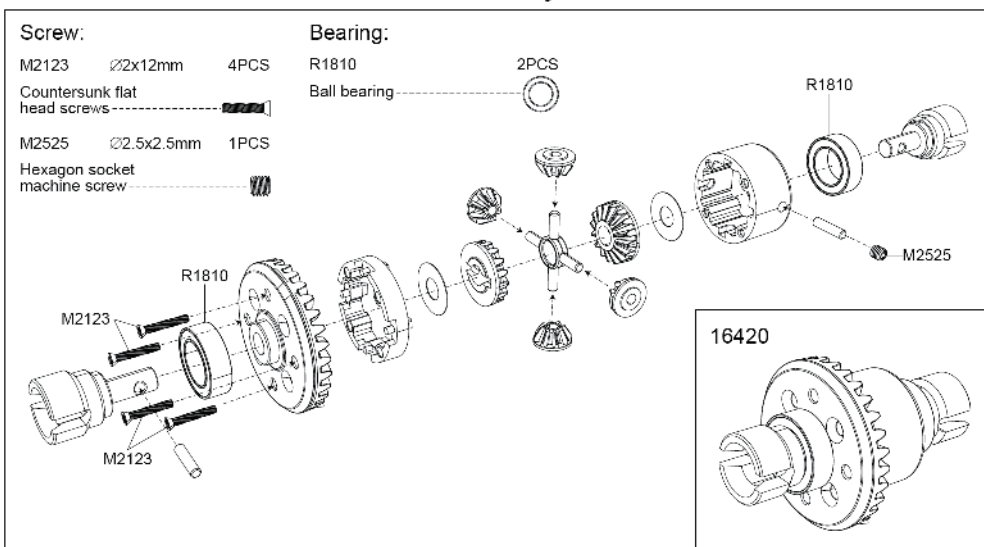
16201



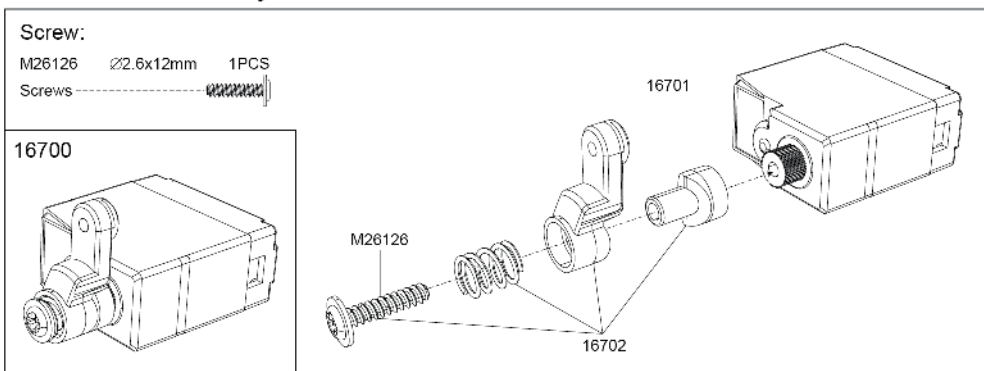
16400 Metal Gears Main Driving Set



16420 Metal Gears Diff Assembly



Servo Assembly

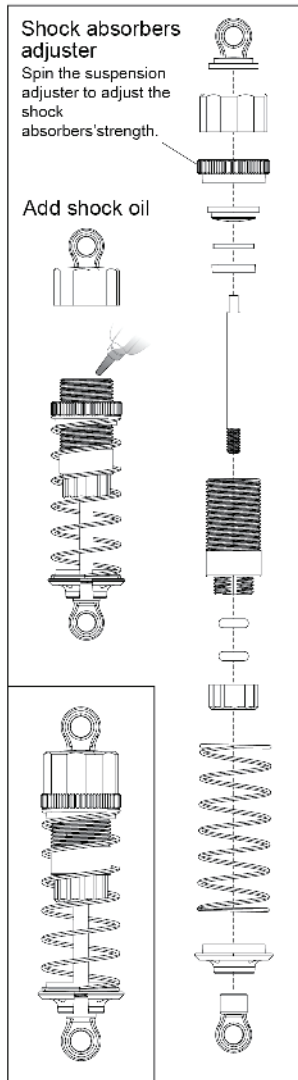


Metal Oil Filled Shocks

Shock absorbers adjuster

Spin the suspension adjuster to adjust the shock absorbers' strength.

Add shock oil



Motor Assembly

Screw:

M25845 $\varnothing 2.5 \times 8 \text{mm}$ 2PCS

Countersunk flat head screws

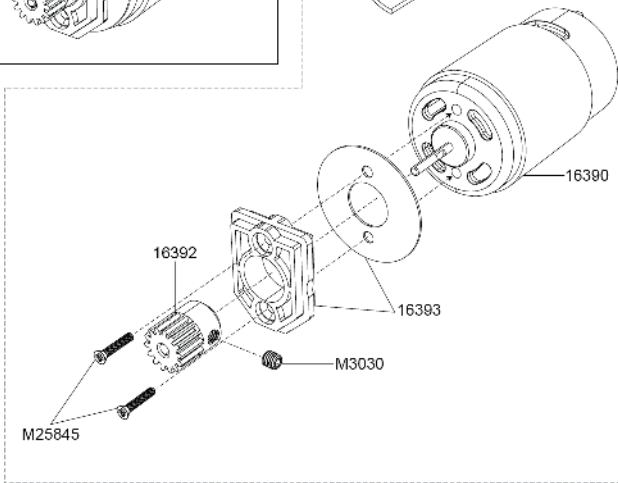
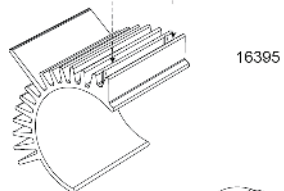
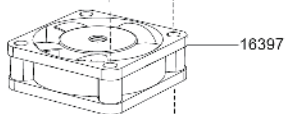
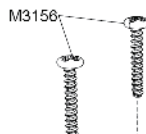
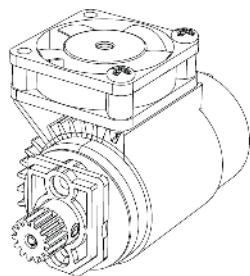
M3156 $\varnothing 3 \times 15 \text{mm}$ 2PCS

Machine screws

M3030 $\varnothing 3 \times 3 \text{mm}$ 1PCS

Hexagon socket machine screw

1639A & 16397



High Speed Car Assemble

Screw:

M2384 $\varnothing 2.3 \times 8 \text{mm}$ 4PCS

Round head screws

M2664 $\varnothing 2.6 \times 6 \text{mm}$ 2PCS

Round head screws

M26104 $\varnothing 2.6 \times 10 \text{mm}$ 10PCS

Round head screws

M23104 $\varnothing 2.3 \times 10 \text{mm}$ 6PCS

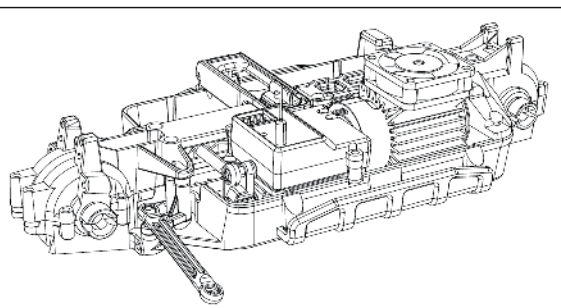
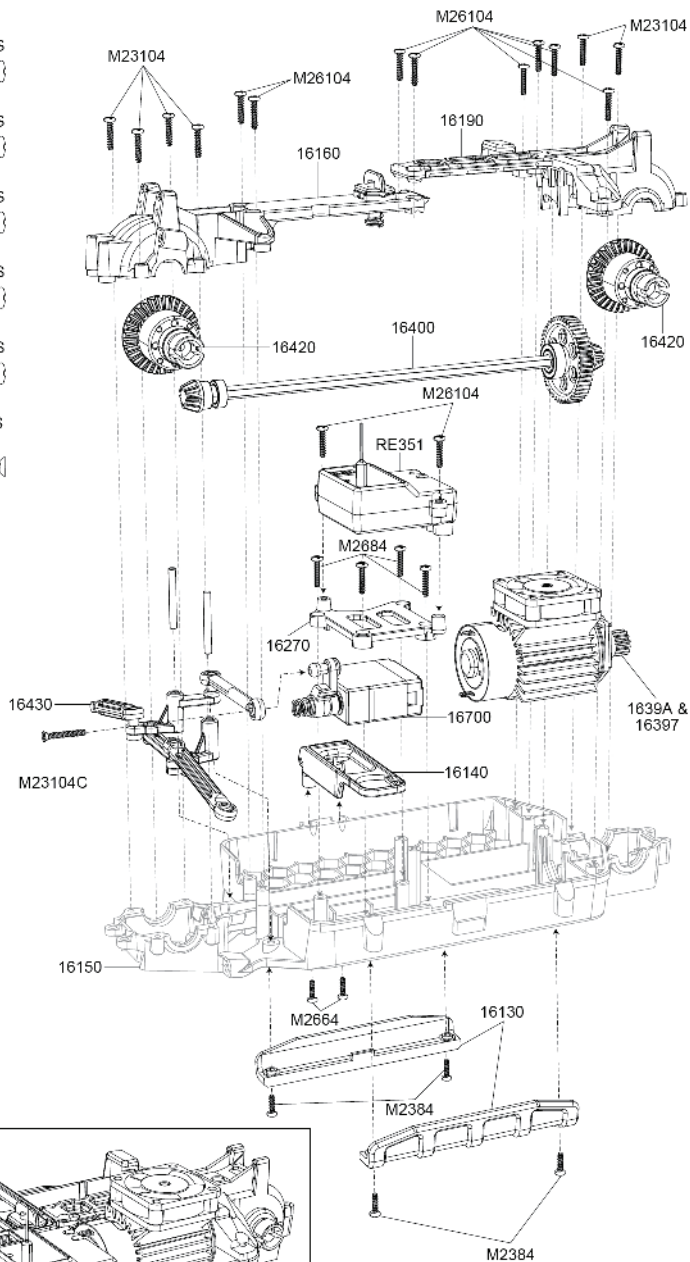
Round head screws

M2684 $\varnothing 2.6 \times 8 \text{mm}$ 4PCS

Round head screws

M23104C $\varnothing 2.3 \times 10 \text{mm}$ 1PCS

Countersunk flat head screws




High Speed Car Assemble

Screw:

M23124 $\varnothing 2.3 \times 12\text{mm}$ 1PCS (2PCS)

Countersunk flat head screws 

M3294 $\varnothing 3 \times 29\text{mm}$ 4PCS

Round head half thread screws 

M26104 $\varnothing 2.6 \times 10\text{mm}$ 1PCS

Round head screws 

M23104 $\varnothing 2.3 \times 10\text{mm}$ 4PCS

Round head screws 

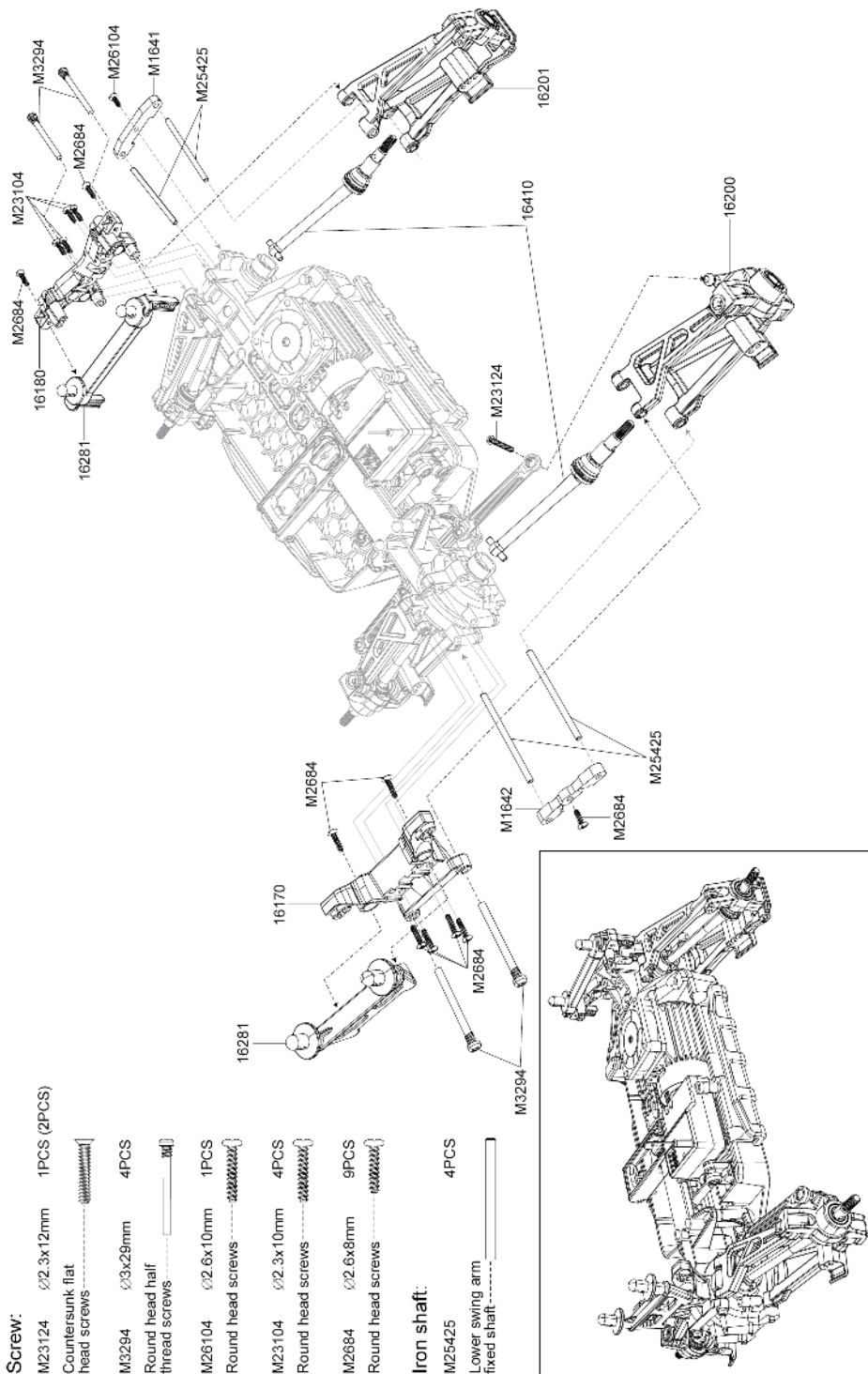
M2684 $\varnothing 2.6 \times 8\text{mm}$ 9PCS

Round head screws 

Iron shaft:

M25425 4PCS

Lower swing arm fixed shaft 




High Speed Car Assemble

Screw:

M23124 $\varnothing 2.3 \times 12\text{mm}$ 4PCS (8PCS)

Countersunk flat
head screws 

M2684 $\varnothing 2.6 \times 8\text{mm}$ 4PCS

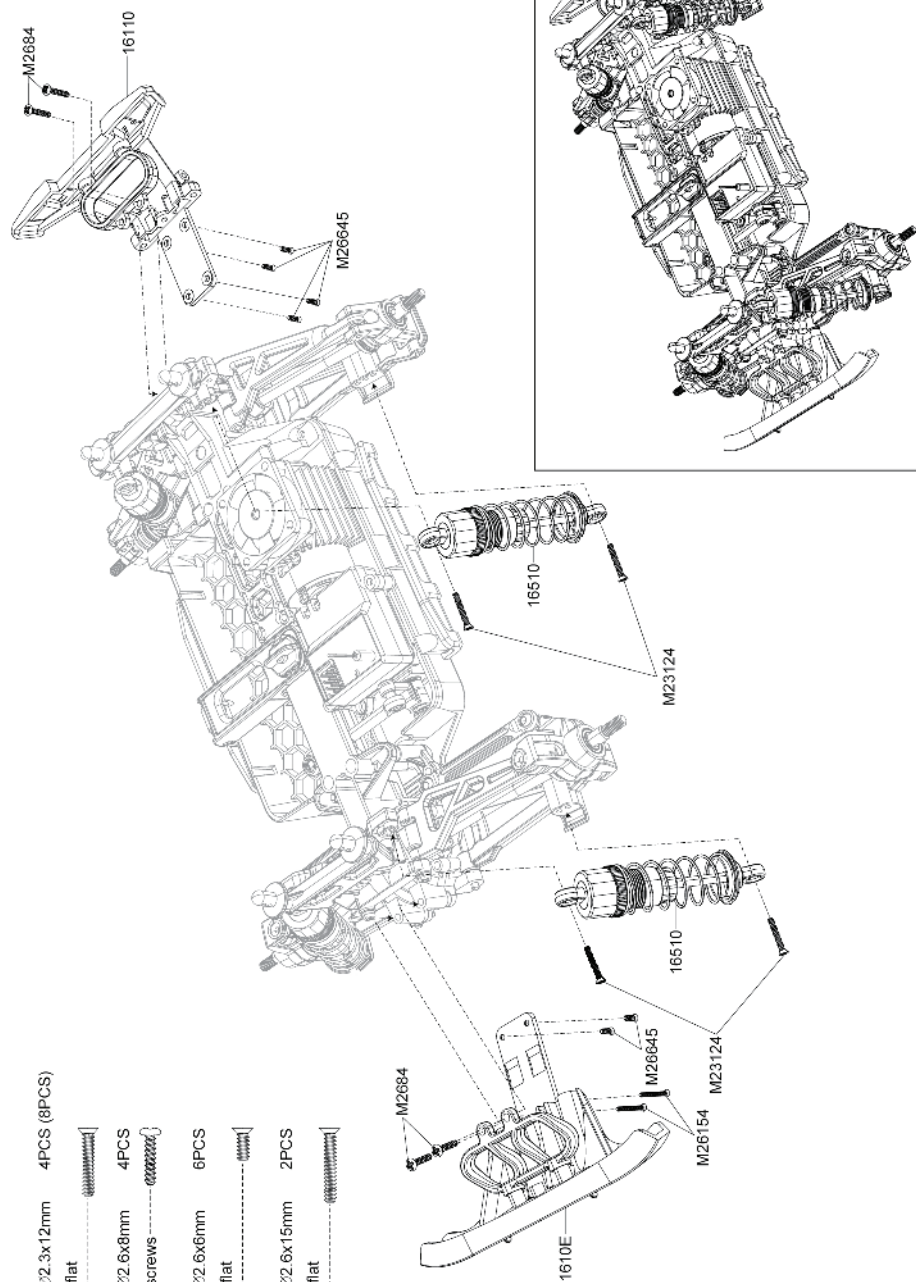
Round head screws 

M26645 $\varnothing 2.6 \times 6\text{mm}$ 6PCS

Countersunk flat
head screws 

M26154 $\varnothing 2.6 \times 15\text{mm}$ 2PCS

Countersunk flat
head screws 




High Speed Car Assemble

Iron shaft:

M20101 1PCS (4PCS)


Wheel hex pins 

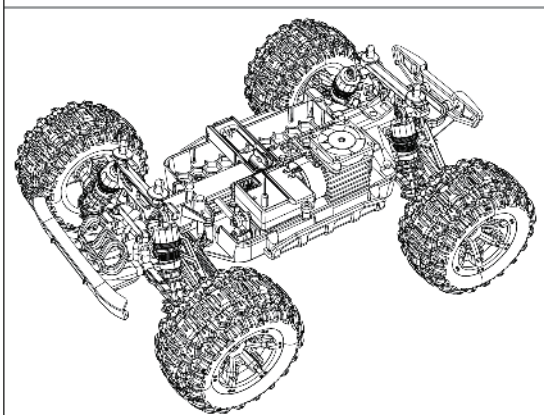
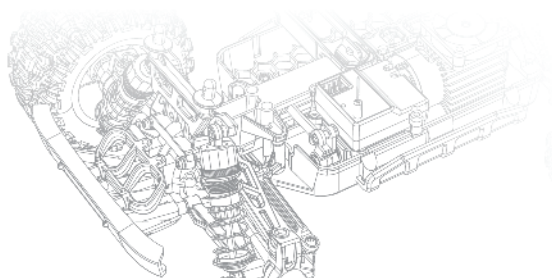
16440 1PCS (4PCS)

Wheel hex 

Nut:

M40 1PCS (4PCS)

M4 Wheel lock nut 



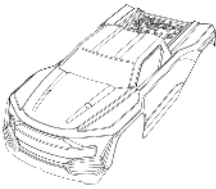
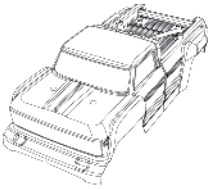

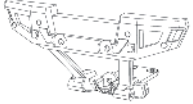
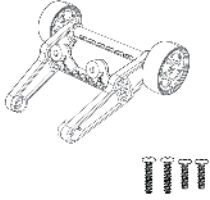
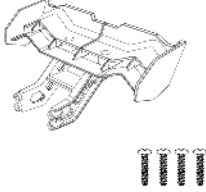


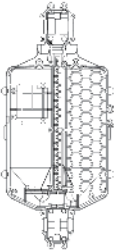
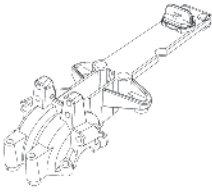
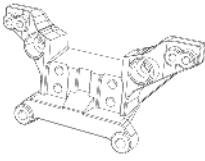
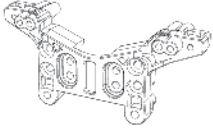
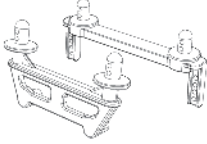
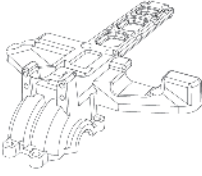
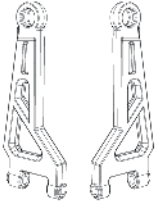
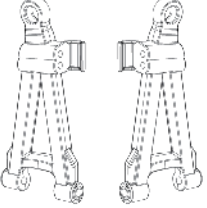
M20101

16440

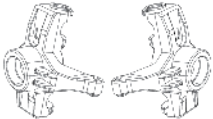
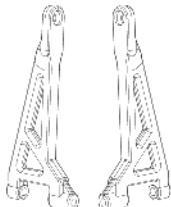
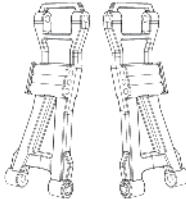
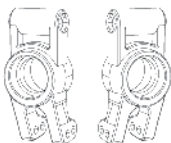



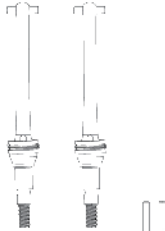


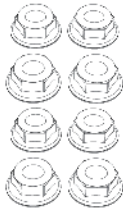
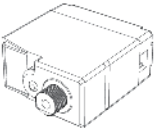
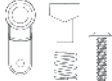
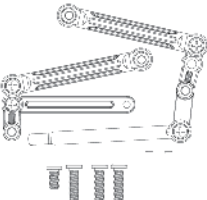
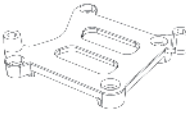
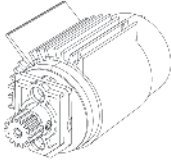
16300

M40

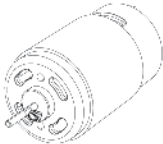

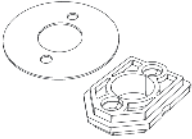
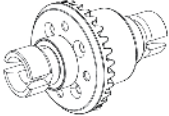



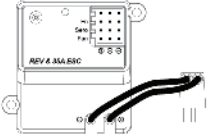
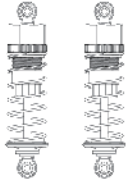
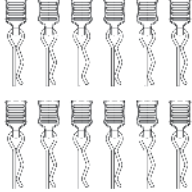
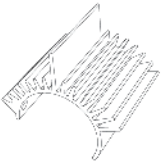
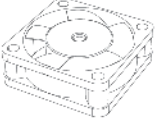
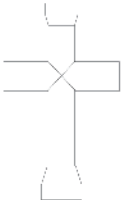
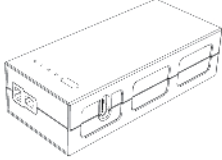
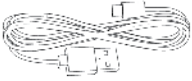
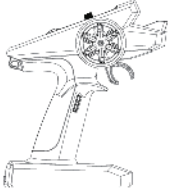
Spare Parts

			
<p>1601E H16E Body</p>	<p>1601P H16P Body</p>	<p>1610E Front Bumper Assembly</p>	<p>16110 Rear Bumper Assembly</p>
			
<p>16120 Wheelie Bar Assembly</p>	<p>1612A Tail</p>	<p>16130 Chassis Parts</p>	<p>16140 Battery Clip</p>
			
<p>16150 Chassis</p>	<p>16160 Front Upper Gearbox Covers</p>	<p>16170 Front Shock Tower</p>	<p>16180 Rear Shock Tower</p>
			
<p>16281 F/R Body Pillars</p>	<p>16190 Rear Upper Gearbox Covers</p>	<p>16210 Front Upper Suspension Arms</p>	<p>16220 Front Lower Suspension Arms</p>

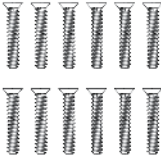
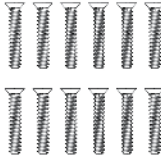
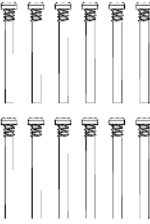
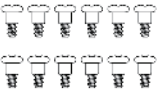
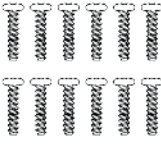
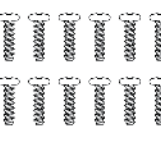
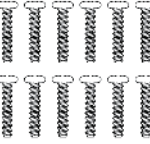

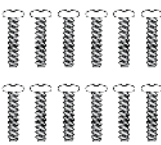







Spare Parts

			
<p>16230 Steering Block</p>	<p>16240 Rear Upper Suspension Arms</p>	<p>16250 Rear Lower Suspension Arms</p>	<p>16260 Rear Hubs</p>
			
<p>M25425 F/R Lower Suspension Arms Hinge Pins</p>	<p>M1640 F/R Reinforced Sheet</p>	<p>16300 Wheel Assembly (2PCS)</p>	<p>16410 Metal F/R CVD Shafts (2 Sets)</p>
			
<p>M20101 Wheel Hex Pins (8PCS)</p>	<p>16440 Wheel Hex</p>	<p>M40 M4 Wheel Lock Nut (8PCS)</p>	<p>16701 Servo</p>
			
<p>16702 Servo Saver Assembly</p>	<p>16430 Steering Assembly</p>	<p>16270 ESC/REV Fix Frame</p>	<p>1639A Motor Assembly</p>

Spare Parts

			
<p>16390 390 Motor</p>	<p>16392 Motor Pinions (16T)</p>	<p>16393 Motor Guard</p>	<p>16420 Metal Gears Diff Assembly</p>
			
<p>16401 Spur Gear Assembly (Metal)</p>	<p>16402 Drive Gear (Metal)</p>	<p>16403 Centre Drive Shaft</p>	<p>RE351 Receiver & ESC</p>
			
<p>16510 Metal Oil Filled Shocks (2PCS)</p>	<p>M001 Body Clips (12PCS)</p>	<p>16395 Motor Heatsink</p>	<p>16397 Motor Fan</p>
			
<p>P812 Hexagonal Wrench</p>	<p>B1050 Battery</p>	<p>P2340 USB Cable</p>	<p>T20 Transmitter</p>

Spare Parts

			
<p>M26124 Countersunk Flat Head Screws (12PCS)</p>	<p>M23124 Countersunk Flat Head Screws (12PCS)</p>	<p>M3294 Round Head Half Thread Screws (12PCS)</p>	<p>M26364 Step Flat Screws (12PCS)</p>
			
<p>M2384 Round Head Screws (12PCS)</p>	<p>M2664 Round Head Screws (12PCS)</p>	<p>M26104 Round Head Screws (12PCS)</p>	<p>M23104 Round Head Screws (12PCS)</p>
			
<p>M2684 Round Head Screws (12PCS)</p>	<p>M26645 Countersunk Flat Head Screws (12PCS)</p>	<p>M25845 Countersunk Machine Screws (12PCS)</p>	<p>M26154 Countersunk Flat Head Screws (12PCS)</p>
			
<p>M1810 Ball Bearing (8PCS)</p>	<p>R168Z Ball Bearing (8PCS)</p>	<p>M2523 Rear Fixing Pin (4PCS)</p>	<p>Q1601 Steering Pivot Balls (8PCS)</p>

- (1) Do not mix old and new batteries.
- (2) Do not mix alkaline, standard (carbon-zinc), or rechargeable batteries.

“Packaging must be retained since it contains important information.” or “Instructions must be retained since it contains important information.”

7.3.2 The instruction sheet should include a statement that the transformer, power supply or battery charger used with the electric toy shall be regularly examined for damage to the supply cord, plug, enclosure or other parts, and in the event of damage, it shall not be used until the damage has been repaired.

- How to remove & insert batteries.
- Non-rechargeable batteries are not to be recharged;
- Different types of batteries or new and used batteries are not to be mixed;
- Batteries are to be inserted with correct polarity;
- Exhausted batteries are to be removed from the toy;
- The supply terminals are not to be short-circuited;
- The batteries should be charged under adult supervision.

The above-mentioned information should be marked on the toy legibly and durably. (i.e. engrave or PP coated label on the toy) Besides, they should be marked adjacent to the terminal.

The above information should be written in the official language of the country in which the toy is to be sold.

Warning:

Changes or modifications to this unit not expressly approved by the party responsible for compliance could void the user's authority to operate the equipment.

NOTE: This equipment has been tested and found to comply with the limits for a Class B digital device, pursuant to Part 15 of the FCC Rules. These limits are designed to provide reasonable protection against harmful interference in a residential installation. This equipment generates, uses and can radiate radio frequency energy and, if not installed and used in accordance with the instructions, may cause harmful interference to radio communications.

However, there is no guarantee that interference will not occur in a particular installation. If this equipment does cause harmful interference to radio or television reception, which can be determined by turning the equipment off and on, the user is encouraged to try to correct the interference by one or more of the following measures:

- Reorient or relocate the receiving antenna.
- Increase the separation between the equipment and receiver.
- Connect the equipment into an outlet on a circuit different from that to which the receiver is connected.
- Consult the dealer or an experienced radio/TV technician for help.

This device complies with Part 15 of the FCC Rules. Operation is subject to the following two conditions:

- (1) this device may not cause harmful interference, and
- (2) this device must accept any interference received, including interference that may cause undesired operation.

