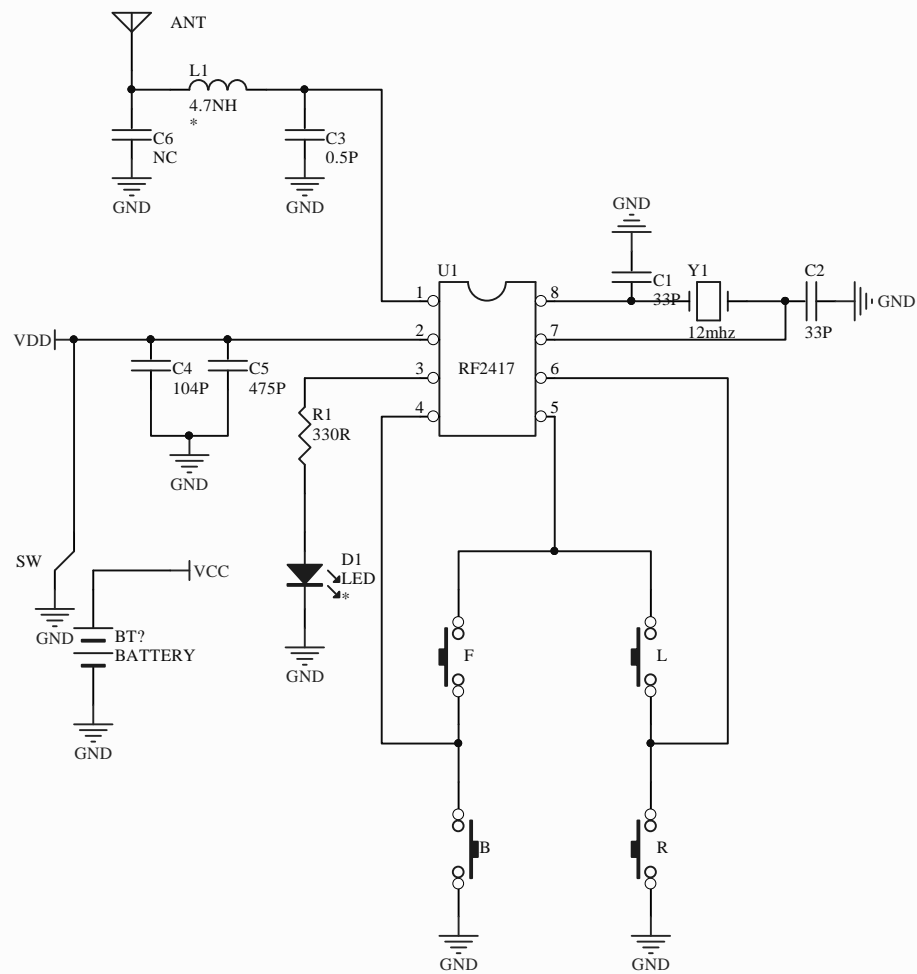


Circuit diagram of PCB NO. NQT0001T 发射板原理图



Title			NQT0001T 原理图
Size	Number	Revision	
A4			
Date:	2019/10/22	Sheet of	
File:	E:\yan新奇达\NQT0001T.SchDoc	Drawn By:	