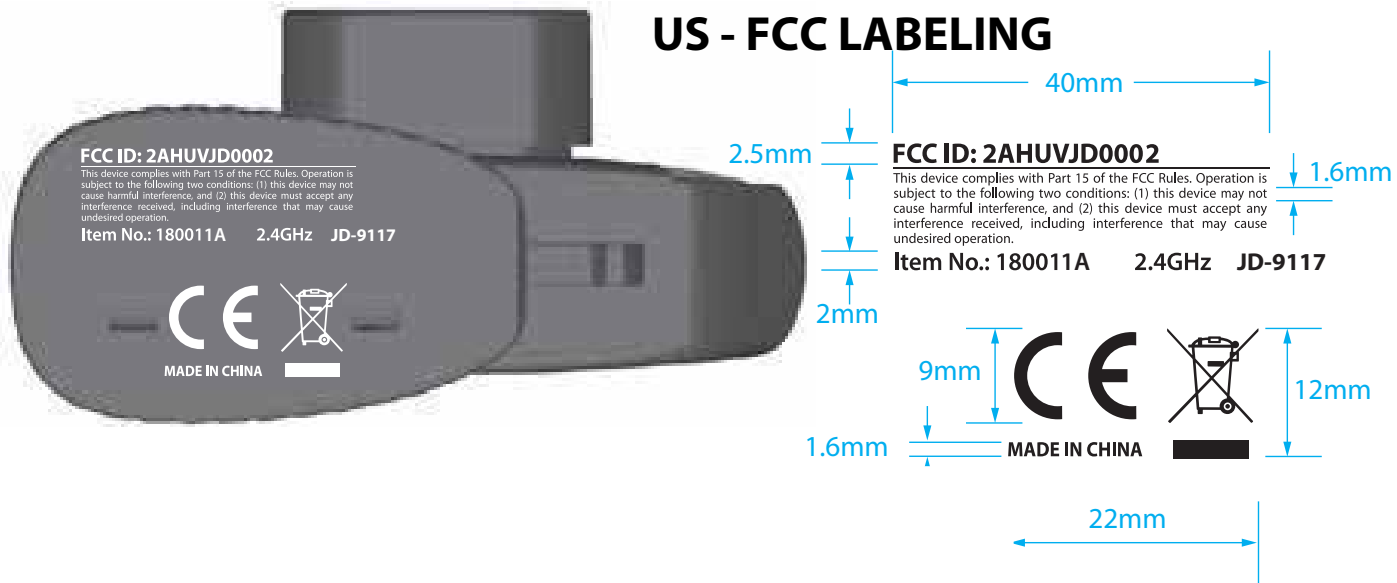


180011A MAX RACER US - FCC LABELING



180011B MAX RACER US - FCC LABELING



40mm

2.5mm

FCC ID: 2AHUVJD0002

This device complies with Part 15 of the FCC Rules. Operation is subject to the following two conditions: (1) this device may not cause harmful interference, and (2) this device must accept any interference received, including interference that may cause undesired operation.

Item No.: 180011B 2.4GHz JD-9117

1.6mm

2mm



1.6mm

22mm